

FEATURES

- HIGH RELIABILITY FOR LOW COST
- MICRO TUBULAR HOLDER
- IDEAL FOR MINIATURISATION

PETERMANN

TECHNIK

Time & Frequency Components

SERIES	TB15
PACKAGE DIMENSIONS	SEE OUTLINE DRAWING
FREQUENCY RANGE	144.0 kHz ~ 3.000 MHz
MODE OF VIBRATION	X-CUT
RESONANCE RESISTANCE	10 kΩ ~ 3 kΩ DEPENDING FREQUENCY
FREQUENCY TOLERANCE AT 25°C	+/-3.000 PPM
TEMPERATURE RANGE	-10/+60°C
TEMPERATURE STABILITY	SEE TEMPERATURE CURVE
LOAD CAPACITANCE	12.5 PF
SHUNT CAPACITANCE	1.0 PF TYP.
DRIVE LEVEL	1.0 μW MAX.
AGING	+3 ~ +5 PPM PER YEAR
INSULATION RESISTANCE	>500 MΩ DC/100V +/-10%
DELIVERY FORM	BULKS

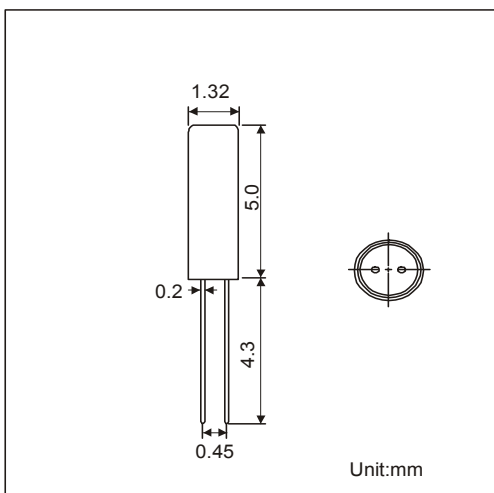
OTHER PARAMETERS ARE AVAILABLE ON REQUEST / CREATE HERE YOUR SPECIFICATION

PART NUMBERING SYSTEM

EXAMPLE	TB15 1.008 MHz
----------------	----------------

TYPE	TB15
FREQUENCY	IN KHZ OR MHZ
STANDARD FREQUENCIES	144.0 kHz; 149.0 kHz; 200.0 kHz; 910.0 kHz; 920.0 kHz; 1.000 MHz; 1.008 MHz; 3.000 MHz

OUTLINE DRAWING OF TB15



TEMPERATURE CURVE OF TB15

