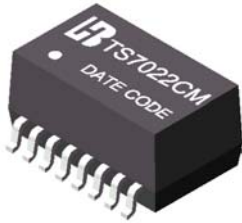


**P/N: TS7022CM DATA SHEET****Feature**

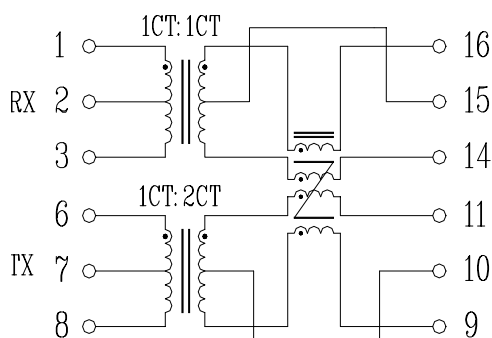
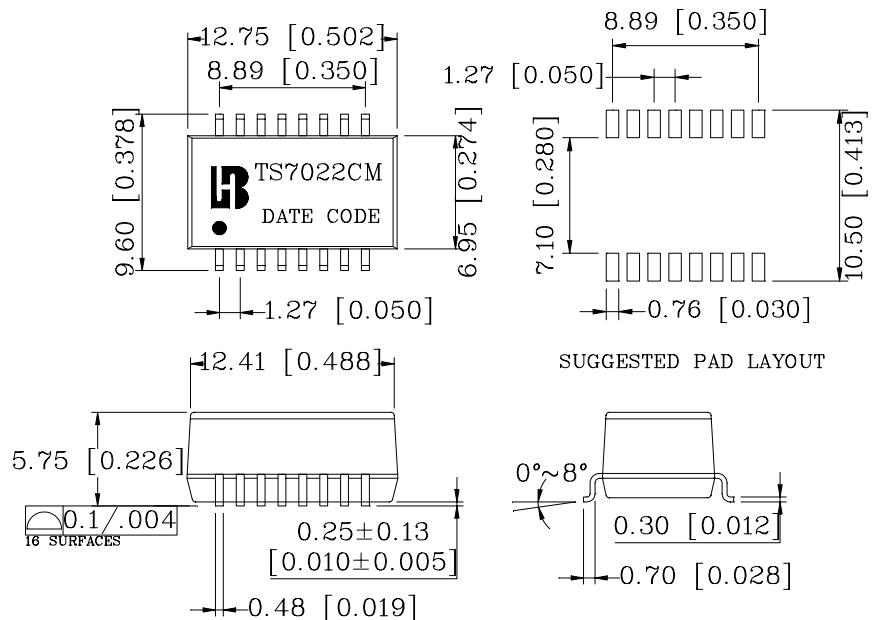
- Single-port modules available with and without common mode chokes.
- Conforms to IEEE 802.3 standards.
- Operating temperature range: -40°C to +85°C.
- Storage temperature range: -40°C to +125°C.

**Electrical Specifications @ 25°C**

Part Number	Turns Ratio(±5%)		OCL(uH Typ) @100KHz/50mV		PRI Pins	HI-POT (Vrms)
	RX	TX	RX	TX		
TS7022CM	1CT:1CT	1CT:2CT	140	25	(1-3)&(6-8)	2000

**Continue**

Part Number	C <sub>ww</sub> (pF Max)	L.L (uH Max)	DCR (Ω Max)	Insulation Resistance (M Ω)
TS7022CM	15	0.4	0.3	10,000

**Schematic****Mechanical**

Units: mm [Inches] Tolerance: xx.x0±0.25 [0.010]  
0.xx±0.05 [0.002]