

## SQUARE WAVE GENERATOR SERIES A457 TTL COMPATIBLE

### TECHNICAL INFORMATION

#### TEST CONDITIONS

Pulse Voltage 3.2 Volts  
 Rise/Fall Time 3.0 Nsec (10%-90%)  
 Supply Current 60.0 Milliamps max.  
 Supply Voltage, Vcc 5.0 Volts  $\pm$  5%  
 Ambient Temperature 25°C

#### PERFORMANCE CHARACTERISTICS

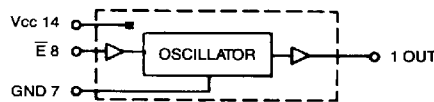
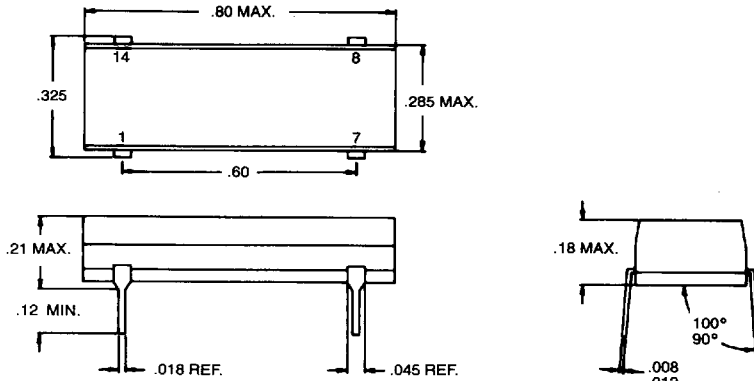
Output Frequency Tolerance  $\pm$  2%  
 Performance Characteristics apply at above listed Test Conditions.

#### ELECTRICAL CHARACTERISTICS

Supply Voltage, Vcc 4.75 to 5.25 Volts  
 Logic 1 Input Voltage 2.0 Volts min.  
 Logic 0 Input Voltage 0.8 Volts max.  
 Logic 1 Output Voltage 2.7 Volts min.  
 Logic 0 Output Voltage 0.5 Volts max.  
 Operating Temperature Range 0°C To 70°C  
 Temperature Coefficient Of Output Frequency 500PPM/°C Typical

#### DRIVE CAPABILITIES

10 TTL Loads max.  
 —Compatible with TTL and DTL circuits  
 —Output wave train is synchronized with random gating signal  
 —Enable input "high" will result in a constant "high" at output  
 —First output "low" appears one half cycle after input goes "low"  
 —Other frequencies upon request



Part Number	Output Frequency
A457-0002-01	2 MHz
A457-0003-01	3 MHz
A457-0004-01	4 MHz
A457-0005-01	5 MHz
A457-0006-01	6 MHz
A457-0007-01	7 MHz
A457-0008-01	8 MHz
A457-0009-01	9 MHz
A457-0010-01	10 MHz
A457-0011-01	11 MHz
A457-0012-01	12 MHz
A457-0013-01	13 MHz
A457-0014-01	14 MHz
A457-0015-01	15 MHz
A457-0020-01	20 MHz
A457-0025-01	25 MHz
A457-0030-01	30 MHz
A457-0035-01	35 MHz
A457-0040-01	40 MHz
A457-0045-01	45 MHz
A457-0050-01	50 MHz

Specifications Subject To Change Without Notice

BEL FUSE INC./198 VAN VORST STREET/JERSEY CITY, NJ 07302/(201) 432-0463/TWX 710-730-5301/FAX (201) 432-9542 27

1351423 0000754 997