

PLEASE CHECK WWW.MOLEX.COM FOR LATEST PART INFORMATION

Part Number: **0190700039**
Status: **Active**
Description: InsulKrimp™ Ring Tongue Terminal for 18-22 AWG Wire

Documents:

[Drawing \(PDF\)](#) [RoHS Certificate of Compliance \(PDF\)](#)
[Product Specification PS-19902-009 \(PDF\)](#)

Agency Certification

CSA LR18689
 UL E32244

General

Product Family Ring and Spade Terminals
 Series 19070
 Crimp Quality Equipment Yes
 Mil-Spec N/A
 Product Name InsulKrimp™
 Type Ring

Physical

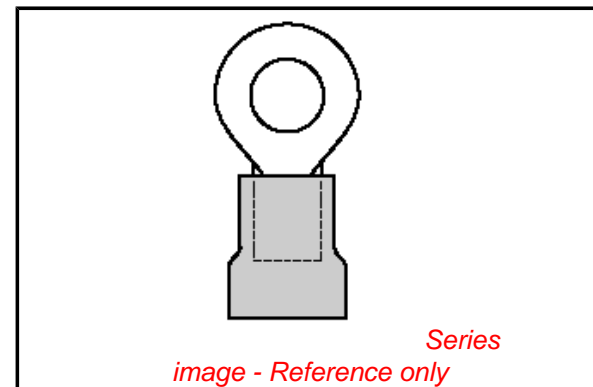
Barrel Type Closed
 Flammability 94V-2
 Insulation PVC
 Material - Plating Mating Tin
 Packaging Type Adhesive Tape on Reel
 Stud Size 3-4 (M2.6)
 Termination Interface: Style Crimp or Compression
 Wire Insulation Diameter 3.70mm (.145") max.
 Wire Size AWG 18, 20, 22
 Wire Size mm² 0.35 - 0.80

Material Info

Old Part Number AA-232-04XT

Reference - Drawing Numbers

Product Specification PS-19902-009
 Sales Drawing SD-19070-003



EU RoHS

ELV and RoHS Compliant
REACH SVHC
 Not Reviewed
Halogen-Free Status
 Not Reviewed

China RoHS



Need more information on product environmental compliance?

Email productcompliance@molex.com
 For a multiple part number RoHS Certificate of Compliance, [click here](#)

Please visit the [Contact Us](#) section for any non-product compliance questions.

Search Parts in this Series

19070Series

Application Tooling | FAQ

Tooling specifications and manuals are found by selecting the products below. Crimp Height Specifications are then contained in the Application Tooling Specification document.

Global

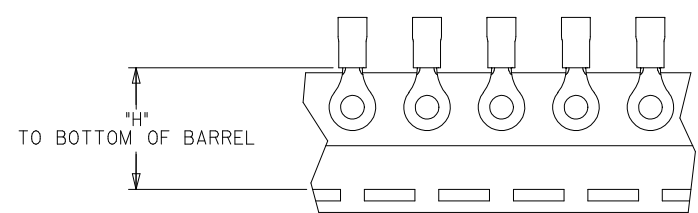
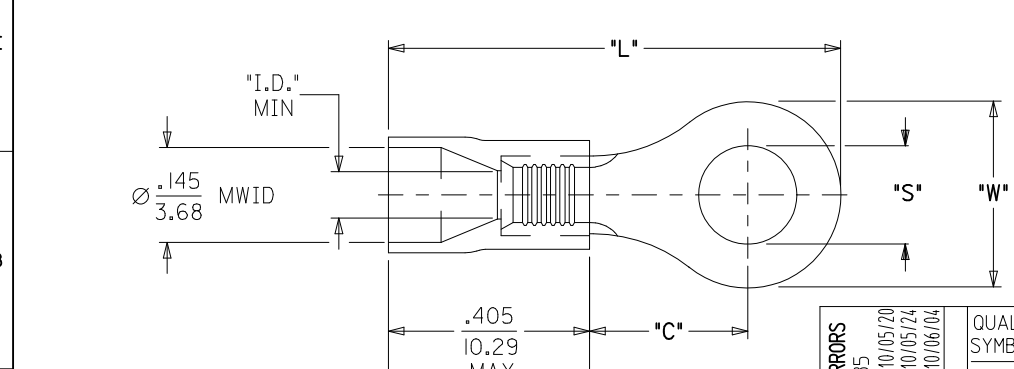
Description	Product #
Crimp Dies for MTA-100 Tape Applicator used in 3BF Press, MTA-105 Tape Applicator used in TM-2000™ Press, and ATP-301 Air Crimping Press for Mylar Tape Mounted Terminals	<u>0192880023</u>
Mini-Mac™ Applicator	<u>0638851300</u>

Perishable Tooling 0190270133
Spacers for tape
product

This document was generated on 03/18/2010

PLEASE CHECK WWW.MOLEX.COM FOR LATEST PART INFORMATION

LOOSE PIECE		TAPE MOUNTED		SPECIFICATIONS								
MATERIAL NUMBER	ALTERNATE NUMBER	MATERIAL NUMBER	ALTERNATE NUMBER	STUD SIZE	"S" ±.005/(0.13)	"W" MAX.	"C" MIN.	"L" MAX.	"ID" MIN.	STOCK THICKNESS REFERENCE	"H" ±.020/-.051	
F 190700005	AA-220-02X	190700006	AA-220-02XT	2	.094/(2.39)	.235/(6.00)	.157/(3.99)	.709/(18.01)	.062/(1.57)	.028/(0.71)	.980/(24.89)	
190700007	AA-220-04X	190700008	AA-220-04XT	4	.119/(3.02)							
190700009	AA-220-06X	190700010	AA-220-06XT	6	.146/(3.71)							
190700011	AA-221-06X	190700012	AA-221-06XT	6	.146/(3.71)	.322/(8.18)	.270/(6.86)	.866/(22.00)	.062/(1.57)			
190700013	AA-221-08X	190700014	AA-221-08XT	8	.173/(4.39)							
190700015	AA-221-10X	190700017	AA-221-10XT	10	.198/(5.03)							
190700019	AA-221-209X	190700020	AA-221-209XT	M5	.209/(5.18)	.477/(12.11)	.386/(9.80)	1.060/(26.92)	.062/(1.57)			
E 190700021	AA-222-10X	190700022	AA-222-10T	10	.198/(5.03)							
190700023	AA-222-14X	190700024	AA-222-14XT	14	.265/(6.73)							
190700026	AA-222-56X	190700027	AA-222-56XT	5/16"	.328/(8.33)	.544/(13.82)	.552/(14.02)	1.259/(31.98)	.055/(1.40)	.031/(0.79)		
190700029	AA-226-10X	190700030	AA-226-10XT	10	.198/(5.03)							
190700031	AA-226-14X	190700032	AA-226-14XT	14	.265/(6.73)							
190700036	AA-226-56X	190700037	AA-226-56XT	5/16"	.328/(8.33)	.264/(6.70)	.240/(6.10)	.807/(20.50)	.062/(1.57)	.028/(0.71)		
190700033	AA-226-38X	190700035	AA-226-38XT	3/8"	.390/(9.91)							
D 190700038	AA-232-04X	190700039	AA-232-04XT	4	.119/(3.02)							
190700040	AA-232-06X	190700042	AA-232-06XT	6	.146/(3.71)	.283/(7.20)	.240/(6.10)	.816/(20.73)	.062/(1.57)	.028/(0.71)		
190700044	AA-232-08X	190700045	AA-232-08XT	8	.173/(4.39)							
190700051	AA-233-10X	190700052	AA-233-10XT	10	.198/(5.03)							
190700001	AA-2111-02X	190700002	AA-2111-02XT	2	.094/(2.39)	.197/(5.00)	.173/(4.40)	.715/(18.16)	.055/(1.40)	.031/(0.79)		
190700003	AA-2111-04X	190700004	AA-2111-04XT	4	.119/(3.02)							



SALES DRAWING

- NOTE(S):
 1. MATERIAL: COPPER
 PLATING: ELECTROPLATE TIN
 2. DELETED
 3. INSULATION: RED MOLDED PVC
 4. MWID=MAXIMUM WIRE INSULATION DIA.
 5. ALL DIMENSIONS IN INCHES (MM).
 6. PARTS ARE ROHS COMPLIANT.

C1

FIX NOMENCLATURE ERRORS EC NO: WNA2010-0735 DR: WNETHRODAHL 2010/05/20 CHKD: JMACNEIL 2010/05/24 APPR: JMACNEIL 2010/06/04 REV: C1	QUALITY SYMBOLS ▽=0 ▽=0	GENERAL TOLERANCES (UNLESS SPECIFIED) mm INCH 4 PLACES ±--- ±--- 3 PLACES ±--- ±--- 2 PLACES ±--- ±--- 1 PLACE ±--- ±--- ANGULAR ±---°	DIMENSION STYLE IN/MM DRAWN BY DATE DMYRICK 2005/7/22 CHECKED BY DATE HBEITZEL 2005/7/22 APPROVED BY DATE RDEROSS 2005/7/22	SCALE --- DESIGN UNITS INCH THIRD ANGLE PROJECTION	TITLE RING TONGUE TERMINAL INSULKRIMP, 200-SERIES 22-18 AWG MOLEX INCORPORATED	MATERIAL NO. SEE CHART SIZE B	DOCUMENT NO. SD-19070-003	SHEET NO. 1 OF 1	
	DRAFT WHERE APPLICABLE MUST REMAIN WITHIN DIMENSIONS		THIS DRAWING CONTAINS INFORMATION THAT IS PROPRIETARY TO MOLEX INCORPORATED AND SHOULD NOT BE USED WITHOUT WRITTEN PERMISSION						