

# TFT LCD Approval Specification

## MODEL NO.: V260B2 – L01

Customer: _____ Approved by: _____ Note:
--

Approved By	TV Head Division	
	LY Chen	

Reviewed By	QA Dept.	Product Development Div.
	Kc_Ko	WT Lin

Prepared By	LCD TV Marketing and Product Management Div.	
	WY Li	Delia Lin

**- CONTENTS -**

REVISION HISTORY	-----	3
1. GENERAL DESCRIPTION	-----	4
1.1 OVERVIEW		
1.2 FEATURES		
1.3 APPLICATION		
1.4 GENERAL SPECIFICATIONS		
1.5 MECHANICAL SPECIFICATIONS		
2. ABSOLUTE MAXIMUM RATINGS	-----	5
2.1 ABSOLUTE RATINGS OF ENVIRONMENT		
2.2 ELECTRICAL ABSOLUTE RATINGS		
2.2.1 TFT LCD MODULE		
2.2.2 BACKLIGHT UNIT		
3. ELECTRICAL CHARACTERISTICS	-----	7
3.1 TFT LCD MODULE		
3.2 BACKLIGHT INVERTER UNIT		
3.2.1 CCFL(Cold Cathode Fluorescent Lamp) CHARACTERISTICS		
3.2.2 INVERTER CHARACTERISTICS		
3.2.3 INVERTER INTERFACE CHARACTERISTICS		
4. BLOCK DIAGRAM	-----	12
4.1 TFT LCD MODULE		
5. INTERFACE PIN CONNECTION	-----	13
5.1 TFT LCD MODULE		
5.2 BACKLIGHT UNIT		
5.3 INVERTER UNIT		
5.4 BLOCK DIAGRAM OF INTERFACE		
5.5 LVDS INTERFACE		
5.6 COLOR DATA INPUT ASSIGNMENT		
6. INTERFACE TIMING	-----	19
6.1 INPUT SIGNAL TIMING SPECIFICATIONS		
6.2 POWER ON/OFF SEQUENCE		
7. OPTICAL CHARACTERISTICS	-----	22
7.1 TEST CONDITIONS		
7.2 OPTICAL SPECIFICATIONS		
8. DEFINITION OF LABELS	-----	26
8.1 CMO MODULE LABEL		
9. PACKAGING	-----	27
9.1 PACKING SPECIFICATIONS		
9.2 PACKING METHOD		
10. PRECAUTIONS	-----	29
10.1 ASSEMBLY AND HANDLING PRECAUTIONS		
10.2 SAFETY PRECAUTIONS		
10.3 STORAGE PRECAUTIONS		
11. REGULATORY STANDARD	-----	30
11.1 SAFETY		
12. MECHANICAL CHARACTERISTICS	-----	31

**REVISION HISTORY**

<b>Version</b>	<b>Date</b>	<b>Page (New)</b>	<b>Section</b>	<b>Description</b>
Ver 2.0	Feb. 16,'09	All	All	Approval Specification was first issued.

## 1. GENERAL DESCRIPTION

### 1.1 OVERVIEW

V260B2- L01 is a TFT Liquid Crystal Display module with 4U-CCFL Backlight unit and 1ch-LVDS interface. The display diagonal is 26". This module supports 1366 x 768 WXGA format and can display 16.7M colors ( 6-bit+Hi-FRC). The inverter module for backlight is built-in.

### 1.2 FEATURES

- Optimized Brightness 450nits
- Contrast Ratio 800:1
- Fast Response Time 5ms
- Color Saturation NTSC 72%
- WXGA (1366 x 768 pixels) Resolution
- DE (Data Enable) Only Mode
- LVDS (Low Voltage Differential Signaling) Interface
- Viewing Angle: 160(H)/150(V) (CR>10) TN Technology
- Color Reproduction (Nature Color)

### 1.3 APPLICATION

- TFT LCD TVs
- Optimized Brightness, Multi-Media Displays

### 1.4 GENERAL SPECIFICATIONS

Item	Specification	Unit	Note
Active Area	575.769 (H) x 323.712 (V) (26" Diagonal)	mm	(1)
Bezel Opening Area	580.8 (H) x 328.8 (V)	mm	
Driver Element	a-si TFT Active Matrix	—	
Pixel Number	1366 x R.G.B. x 768	pixel	
Pixel Pitch (Sub Pixel)	0.1405 (H) x 0.4215 (V)	mm	
Pixel Arrangement	RGB Vertical Stripe	—	
Display Colors	16.7M	color	
Display Operation Mode	Transmissive Mode / Normally White	—	
Surface Treatment	Anti-Glare Coating (Haze 25%) Hard Coating (3H)	—	

### 1.5 MECHANICAL SPECIFICATIONS

Item	Min.	Typ.	Max.	Unit	Note	
Module Size	Horizontal(H)	625	626	627	mm	
	Vertical(V)	372	373	374	mm	
	Depth(D)	31	32	33	mm	To Rear
	Depth(D)	45.7	46.7	47.7	mm	To Inverter Cover
Weight	3470	3720	3970	g		

Note (1) Please refer to the attached drawings for more information of front and back outline dimensions.

## 2. ABSOLUTE MAXIMUM RATINGS

### 2.1 ABSOLUTE RATINGS OF ENVIRONMENT

Item	Symbol	Value		Unit	Note
		Min.	Max.		
Storage Temperature	T <sub>ST</sub>	-20	+60	°C	(1)
Operating Ambient Temperature	T <sub>OP</sub>	0	+50	°C	(1), (2)
Shock (Non-Operating)	S <sub>NOP</sub>	—	50	G	(3), (5)
Vibration (Non-Operating)	V <sub>NOP</sub>	—	1.0	G	(4), (5)

Note (1) Temperature and relative humidity range is shown in the figure below.

(a) 90 %RH Max. ( $T_a \leq 40$  °C).

(b) Wet-bulb temperature should be 39 °C Max. ( $T_a > 40$  °C).

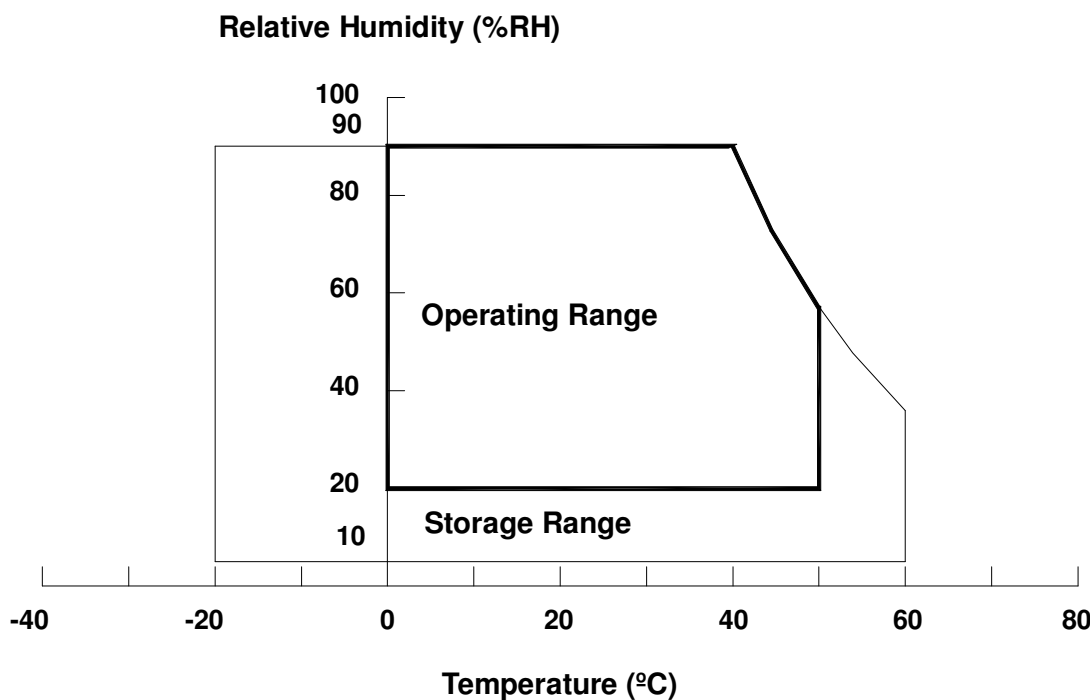
(c) No condensation.

Note (2) The maximum operating temperature is based on the test condition that the surface temperature of display area is less than or equal to 65 °C with LCD module alone in a temperature controlled chamber. Thermal management should be considered in final product design to prevent the surface temperature of display area from being over 65 °C. The range of operating temperature may degrade in case of improper thermal management in final product design.

Note (3) 11 ms, half sine wave, 1 time for  $\pm X$ ,  $\pm Y$ ,  $\pm Z$ .

Note (4) 10 ~ 500 Hz, 10 min, 1 time each X, Y, Z.

Note (5) At testing Vibration and Shock, the fixture in holding the module has to be hard and rigid enough so that the module would not be twisted or bent by the fixture.



## 2.2 ELECTRICAL ABSOLUTE RATINGS

### 2.2.1 TFT LCD MODULE

Item	Symbol	Value		Unit	Note
		Min.	Max.		
Power Supply Voltage	V <sub>CC</sub>	-0.3	13.0	V	(1)
Input Signal Voltage	V <sub>IN</sub>	-0.3	3.6	V	

### 2.2.2 BACKLIGHT UNIT

Item	Symbol	Test Condition	Min.	Type	Max.	Unit	Note
Lamp Voltage	V <sub>W</sub>	T <sub>a</sub> = 25 °C	—	—	3000	V <sub>RMS</sub>	
Power Supply Voltage	V <sub>BL</sub>	—	0	—	30	V	(1)
Control Signal Level	—	—	-0.3	—	7	V	(2), (3)

Note (1) Permanent damage to the device may occur if maximum values are exceeded. Functional operation should be restricted to the conditions described under normal operating conditions.

Note (2) No moisture condensation or freezing.

Note (3) The control signals includes Backlight On/Off Control, Internal PWM Control and External PWM Control.

### 3. ELECTRICAL CHARACTERISTICS

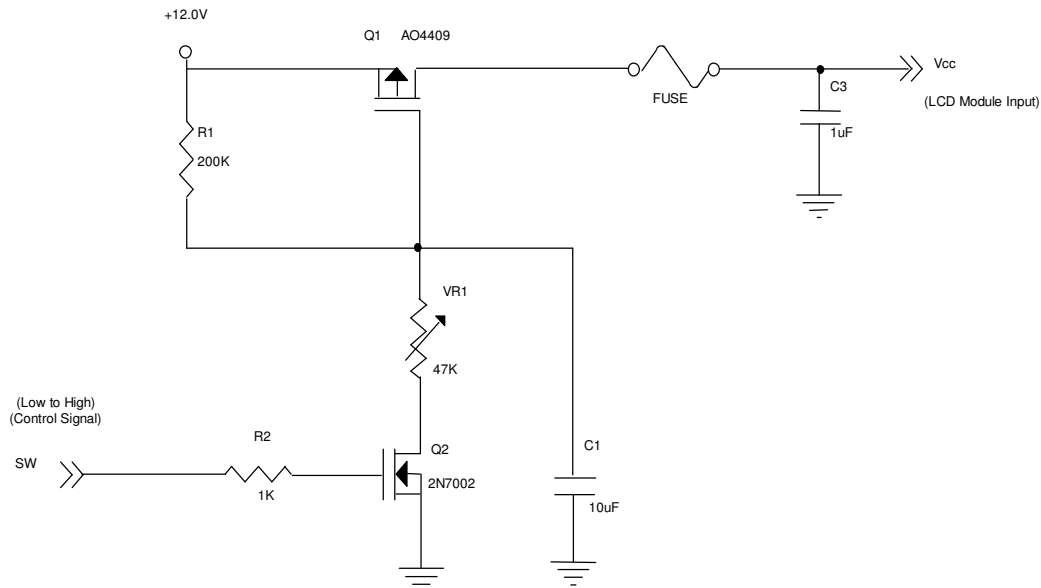
#### 3.1 TFT LCD MODULE

 $T_a = 25 \pm 2 \text{ }^\circ\text{C}$ 

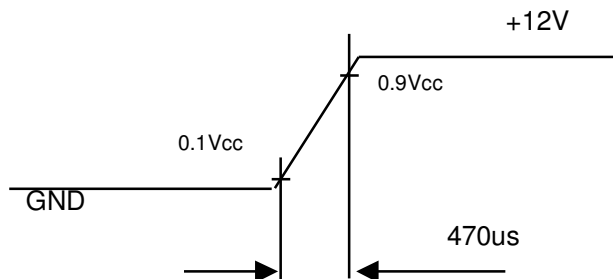
Parameter		Symbol	Value			Unit	Note
			Min.	Typ.	Max.		
Power Supply Voltage		$V_{CC}$	11.4	12.0	12.6	V	(1)
Power Supply Ripple Voltage		$V_{RP}$	—	—	300	mV	
Rush Current		$I_{RUSH}$	—	—	3.0	A	(2)
Power Supply Current	White	$I_{CC}$	—	0.25	0.30	A	(3)
	Black		—	0.35	0.40	A	
	Vertical Stripe		—	0.35	0.40	A	
LVDS Interface	Differential Input High Threshold Voltage	$V_{LVTH}$	+100	—	—	mV	
	Differential Input Low Threshold Voltage	$V_{LVTL}$	—	—	-100	mV	
	Common Input Voltage	$V_{LVC}$	1.125	1.25	1.375	V	
	Terminating Resistor	$R_T$	—	100	—	ohm	
CMOS interface	Input High Threshold Voltage	$V_{IH}$	2.7	—	3.3	V	
	Input Low Threshold Voltage	$V_{IL}$	0	—	0.7	V	

Note (1) The module should be always operated within above ranges.

Note (2) Measurement Conditions:



**Vcc rising time is 470us**



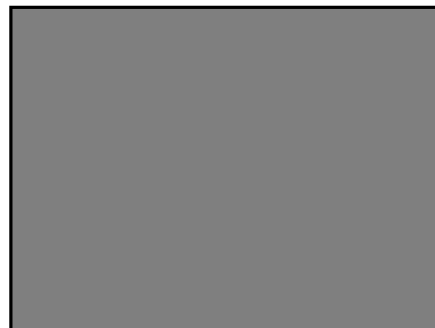
Note (3) The specified power supply current is under the conditions at  $V_{CC} = 12\text{ V}$ ,  $T_a = 25 \pm 2\text{ }^\circ\text{C}$ ,  $f_v = 60\text{ Hz}$ , whereas a power dissipation check pattern below is displayed.

a. White Pattern



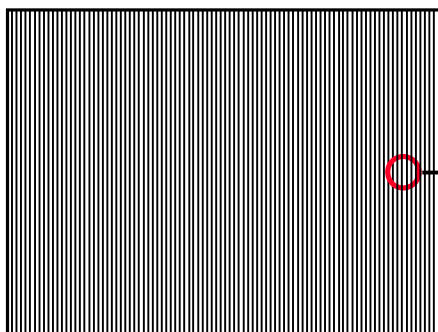
Active Area

b. Black Pattern

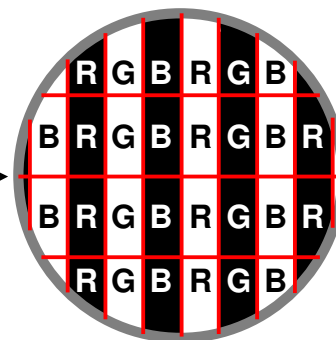


Active Area

c. Vertical Stripe Pattern



Active Area



### 3.2 BACKLIGHT UNIT

#### 3.2.1 CCFL (Cold Cathode Fluorescent Lamp) CHARACTERISTICS ( $T_a = 25 \pm 2\text{ }^\circ\text{C}$ )

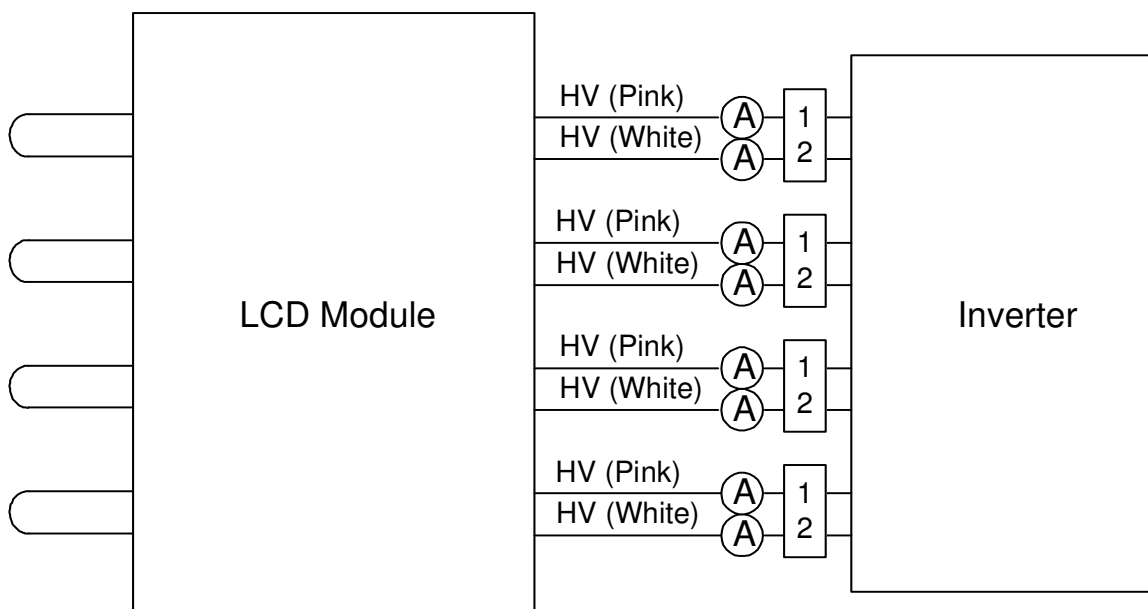
Parameter	Symbol	Value			Unit	Note
		Min.	Typ.	Max.		
Lamp Voltage	$V_W$	-	1380	-	$V_{RMS}$	$I_L = 6.5\text{mA}$
Lamp Current(HI-Side)	$I_L$	6.0	6.5	7.0	$\text{mA}_{RMS}$	-
Lamp Starting Voltage	$V_S$	-	-	2320	$V_{RMS}$	(1), $T_a = 0\text{ }^\circ\text{C}$
		-	-	1920	$V_{RMS}$	(1), $T_a = 25\text{ }^\circ\text{C}$
Operating Frequency	$F_O$	40	-	80	KHz	(2)
Lamp Life Time	$L_{BL}$	50,000	-	-	Hrs	(3)



### 3.2.2 INVERTER CHARACTERISTICS (Ta = 25 ± 2 °C)

Parameter	Symbol	Value			Unit	Note
		Min.	Typ.	Max.		
Power Consumption	P <sub>BL</sub>	—	35	40	W	(5), (6)I <sub>L</sub> = 6.5mA
Input Voltage	V <sub>BL</sub>	22.8	24	25.2	V <sub>DC</sub>	
Input Current	I <sub>BL</sub>	—	1.46	1.67	A	Non Dimming
Input Ripple Noise	—	—	—	912	mV <sub>P-P</sub>	V <sub>BL</sub> = 22.8V
Oscillating Frequency	F <sub>W</sub>	55	58	61	kHz	
Dimming Frequency	F <sub>B</sub>	150	160	170	Hz	
Minimum Duty Ratio	D <sub>MIN</sub>	10	20	—	%	(7)

Note (1) Lamp current is measured by utilizing high frequency current meters as shown below:



Note (2) The lamp starting voltage V<sub>s</sub> should be applied to the lamp for more than 1 second under starting up duration. Otherwise the lamp could not be lighted on completed.

Note (3) The lamp frequency may produce interference with horizontal synchronous frequency from the display, and this may cause line flow on the display. In order to avoid interference, the lamp frequency should be detached from the horizontal synchronous frequency and its harmonics as far as possible.

Note (4) The life time of a lamp is defined as when the brightness is larger than 50% of its original value and the effective discharge length is longer than 80% of its original length (Effective discharge length is defined as an area that has equal to or more than 70% brightness compared to the brightness at the center point.) as the time in which it continues to operate under the condition Ta = 25 ± 2°C and I<sub>L</sub> = 6.0~ 7.0mA<sub>RMS</sub>.

Note (5) The power supply capacity should be higher than the total inverter power consumption P<sub>BL</sub>. Since

the pulse width modulation (PWM) mode was applied for backlight dimming, the driving current changed as PWM duty on and off. The transient response of power supply should be considered for the changing loading when inverter dimming.

Note (6) The measurement condition of Typ. value is based on 26" backlight unit under input voltage 24V, average lamp current 6.5 mA and lighting 30 minutes later.

Note (7) 10% minimum duty ratio is only valid for electrical operation.

### 3.2.3 INVERTER INTERFACE CHARACTERISTICS

Item	Symbol	Test Condition	Min.	Typ.	Max.	Unit	Note	
On/Off Control Voltage	ON	$V_{BLON}$	—	2.0	—	5.0	V	
	OFF		—	0	—	0.8	V	
Internal PWM Control Voltage	MAX	$V_{IPWM}$	—	3.0	3.15	3.3	V	Maximum Duty Ratio
	MIN		—	—	0	—	V	Minimum Duty Ratio
External PWM Control Voltage	HI	$V_{EPWM}$	—	2.0	—	5.0	V	Duty On
	LO		—	0	—	0.8	V	Duty Off
Error Signal	HI	ERR	—	2.0	—	5.0	V	Abnormal
	LO		—	0	—	0.8	V	Normal
VBL Rising Time	$T_{r1}$	—	30	—	—	ms	10%-90% $V_{BL}$	
VBL Falling Time	$T_{f1}$	—	30	—	—	ms		
Control Signal Rising Time	$T_r$	—	—	—	100	ms		
Control Signal Falling Time	$T_f$	—	—	—	100	ms		
PWM Signal Rising Time	$T_{PWMR}$	—	—	—	50	us		
PWM Signal Falling Time	$T_{PWMF}$	—	—	—	50	us		
Input Impedance	$R_{IN}$	—	1	—	—	$M\Omega$		
PWM Delay Time	$T_{PWM}$	—	100	—	—	ms		
BLON Delay Time	$T_{on}$	—	300	—	—	ms		
	$T_{on1}$	—	300	—	—	ms		
BLON Off Time	$T_{off}$	—	300	—	—	ms		

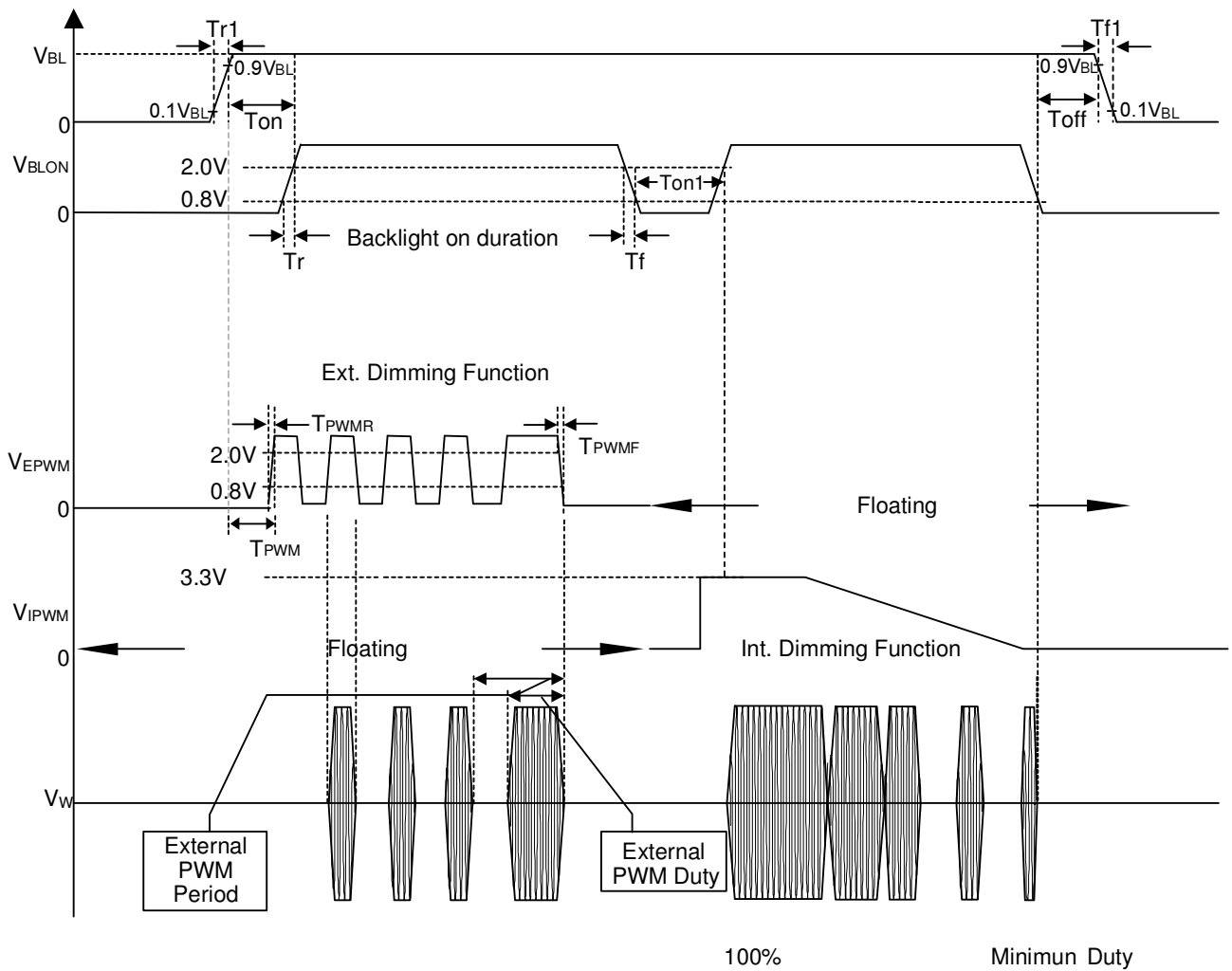
Note (1) When inverter protective function is triggered, ERR will output open collector status. In normal operation, the signal of ERR will output a low level voltage.

Note (2) The power sequence and control signal timing are shown in the following figure. For a certain reason, the inverter has a possibility to be damaged with wrong power sequence and control signal timing.

Note (3) While system is turned ON or OFF, the power sequences must follow as below descriptions:

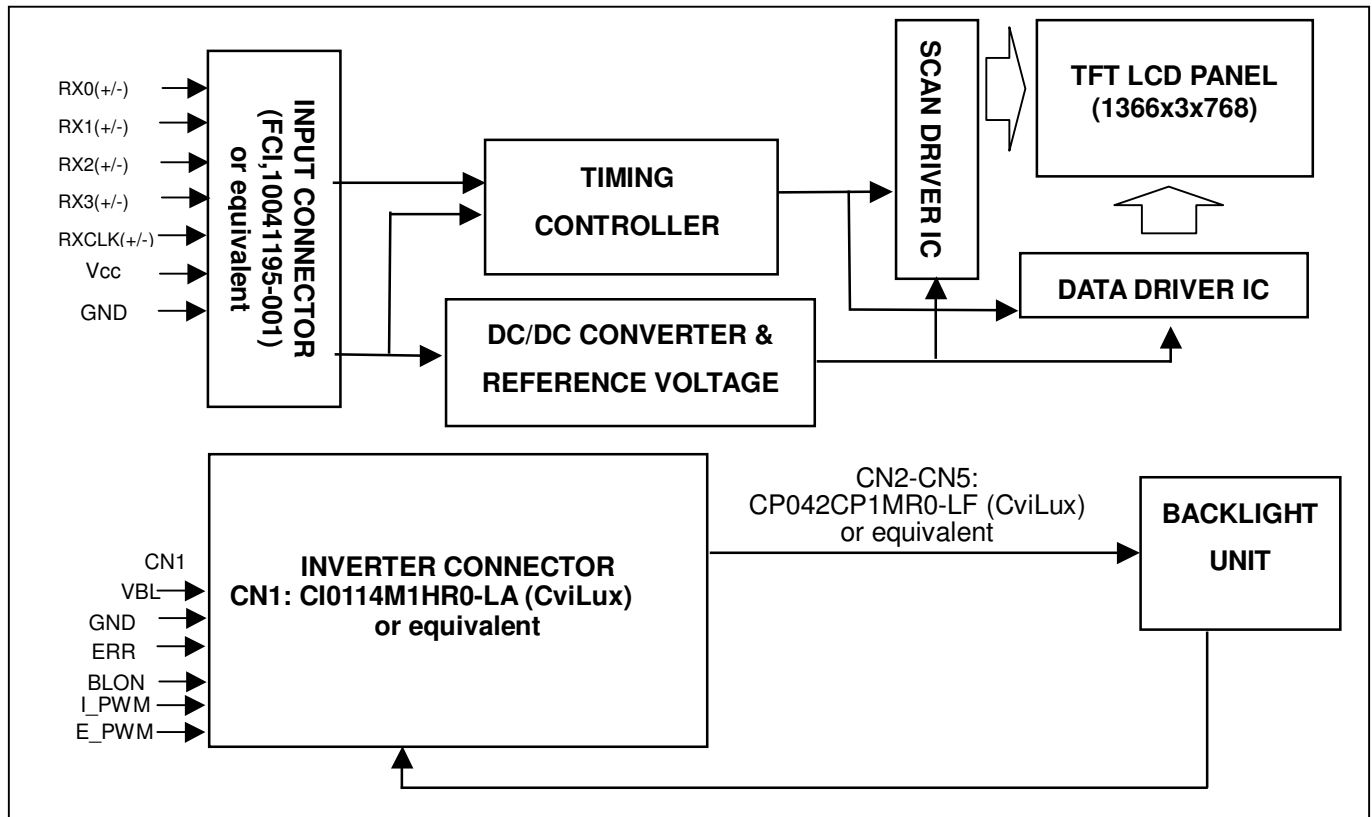
Turn ON sequence: VBL → PWM signal → BLON

Turn OFF sequence: BLOFF → PWM signal → VBL



## 4. BLOCK DIAGRAM

### 4.1 TFT LCD MODULE



## 5. INTERFACE PIN CONNECTION

### 5.1 TFT LCD MODULE

#### CN1 Connector Pin Assignment

Pin No.	Symbol	Description	Note
1	VCC	Power supply: +12V	
2	VCC	Power supply: +12V	
3	VCC	Power supply: +12V	
4	VCC	Power supply: +12V	
5	GND	Ground	
6	GND	Ground	
7	GND	Ground	
8	GND	Ground	
9	SELLVDS	Select LVDS data format	(2)
10	NC	No connection	(3)
11	GND	Ground	
12	RX0-	Negative transmission data of pixel 0	
13	RX0+	Positive transmission data of pixel 0	
14	GND	Ground	
15	RX1-	Negative transmission data of pixel 1	
16	RX1+	Positive transmission data of pixel 1	
17	GND	Ground	
18	RX2-	Negative transmission data of pixel 2	
19	RX2+	Positive transmission data of pixel 2	
20	GND	Ground	
21	RXCLK-	Negative of clock	
22	RXCLK+	Positive of clock	
23	GND	Ground	
24	RX3-	Negative transmission data of pixel 3	
25	RX3+	Positive transmission data of pixel 3	
26	GND	Ground	
27	NC	No connection	(3)
28	NC	No connection	(3)
29	GND	Ground	
30	GND	Ground	

Note (1) Connector Part No.: FCI, 10041195-001 or compatible

Note (2) Ground or OPEN: Normal, High: JEIDA LVDS format

Please refer to 5.5 LVDS INTERFACE (Page 17)

Note (3) Reserved for internal use. Please leave it open.

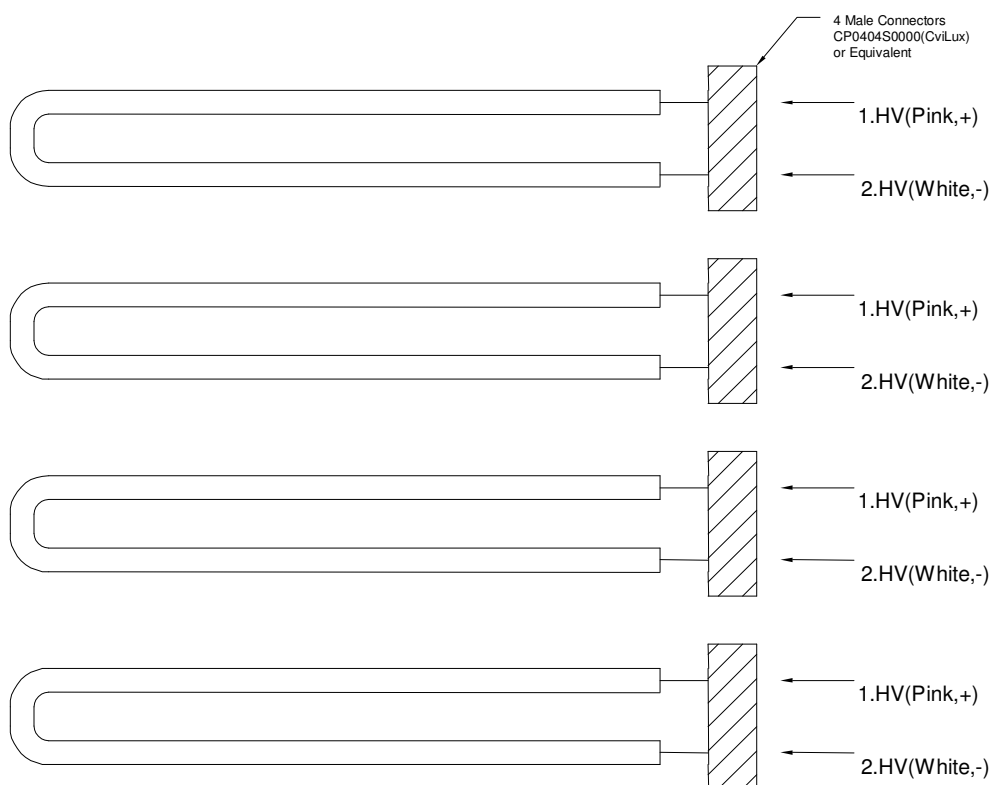
## 5.2 BACKLIGHT UNIT

The pin configuration for the housing and leader wire is shown in the table below.

CN2-CN5 (Housing) : 1.CP0404S0000(CviLux) or compatible

Pin No.	Symbol	Description	Wire Color
1	HV	High Voltage	Pink
2	HV	High Voltage	White

Note (1) The backlight interface housing for high voltage side is a model 1. CP0404S0000(CviLux) or compatible. The mating header on inverter part number is 1.CP042CP1MRO-LF(CviLux) or compatible.



### 5.3 INVERTER UNIT

CN1 : CI0114M1HR0-LA (CviLux) or equivalent.

Pin No.	Symbol	Description
1	VBL	+24V Power input
2		
3		
4		
5		
6	GND	Ground
7		
8		
9		
10		
11	ERR	Normal (GND) Abnormal(Open collector)
12	BLON	BL ON/OFF
13	I_PWM	Internal PWM Control
14	E_PWM	External PWM Control

Note (1) PIN 13:Internal PWM Control (Use Pin 13): Pin 14 must open.

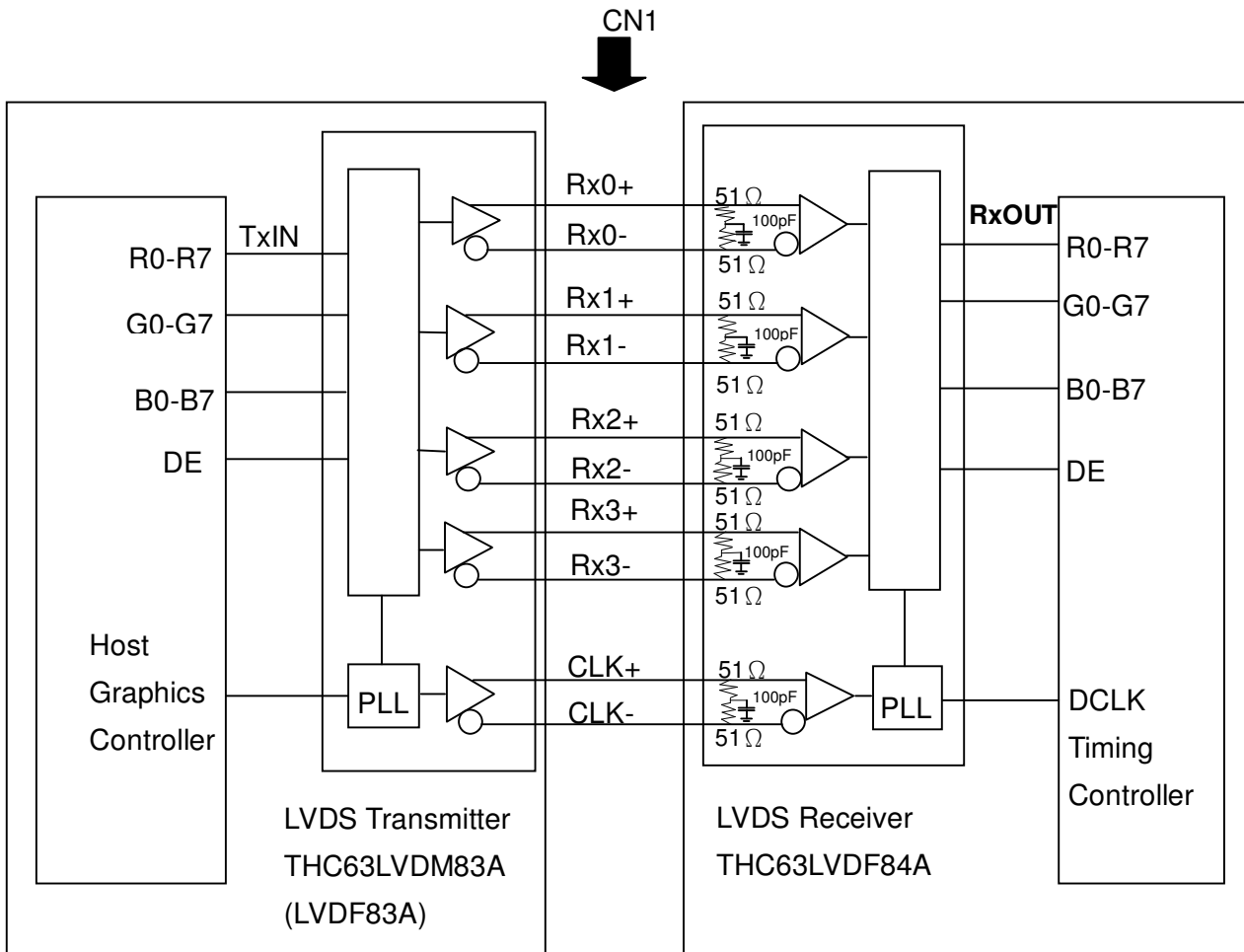
Note (2) PIN 14:External PWM Control (Use Pin 14): Pin 13 must open.

Note (3) Pin 13(I\_PWM) and Pin 14(E\_PWM) can't open in same period.

CN2-CN5 : CP042CP1MR0-LF (CviLux) or equivalent.

Pin	Name	Description
1	CCFL HOT	CCFL High Voltage
2	CCFL HOT	CCFL High Voltage

### 5.4 BLOCK DIAGRAM OF INTERFACE



R0~R7 : Pixel R Data

G0~G7 : Pixel G Data

B0~B7 : Pixel B Data

DE : Data Enable Signal

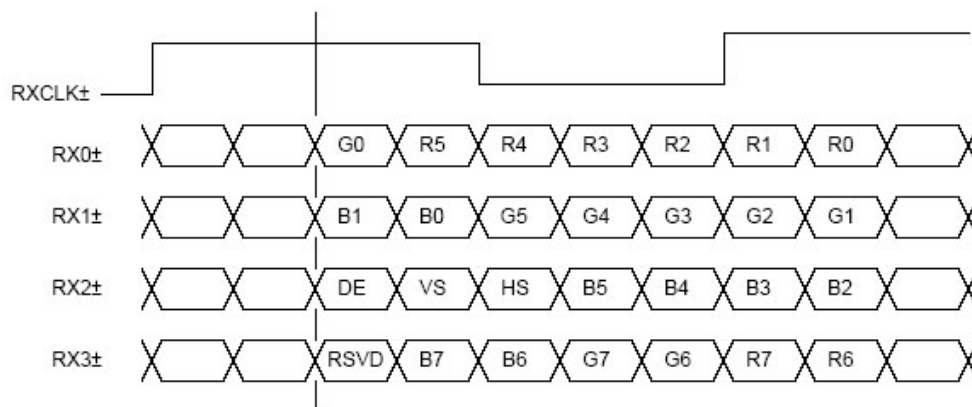
Note (1) The system must have the transmitter to drive the module.

Note (2) LVDS cable impedance shall be 50 ohms per signal line or about 100 ohms per twist-pair line when it is used differentially.

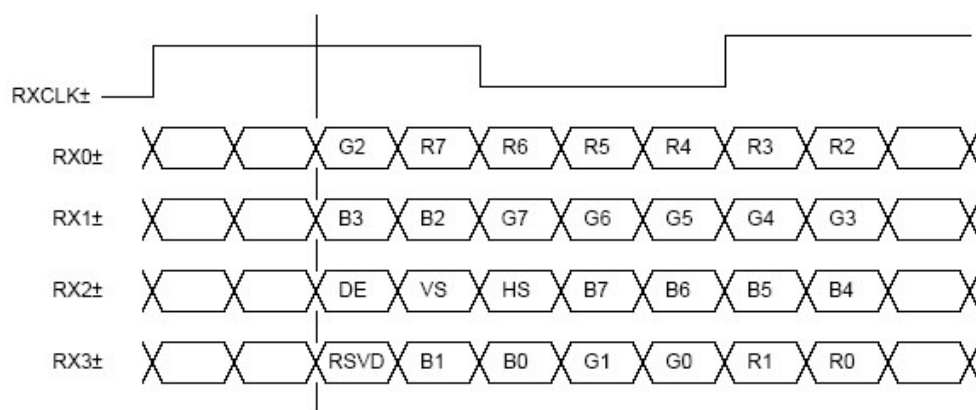


### 5.5 LVDS INTERFACE

#### SELLVDS = L or Open (VESA)



#### SELLVDS = H (JEIDA)



R0~R7: Pixel R Data (7; MSB, 0; LSB)

G0~G7: Pixel G Data (7; MSB, 0; LSB)

B0~B7: Pixel B Data (7; MSB, 0; LSB)

DE : Data enable signal

Notes(1) RSVD(reserved)pins on the transmitter shall be “H” or “L”.

## 5.6 COLOR DATA INPUT ASSIGNMENT

The brightness of each primary color (red, green and blue) is based on the 8-bit gray scale data input for the color. The higher the binary input, the brighter the color. The table below provides the assignment of color versus data input.

Color		Data Signal																							
		Red								Green								Blue							
		R7	R6	R5	R4	R3	R2	R1	R0	G7	G6	G5	G4	G3	G2	G1	G0	B7	B6	B5	B4	B3	B2	B1	B0
Basic Colors	Black	0	0	0	0	0	0	0	0	0	0	0	0	0	0	0	0	0	0	0	0	0	0	0	
	Red	1	1	1	1	1	1	1	1	0	0	0	0	0	0	0	0	0	0	0	0	0	0	0	
	Green	0	0	0	0	0	0	0	0	1	1	1	1	1	1	1	1	0	0	0	0	0	0	0	
	Blue	0	0	0	0	0	0	0	0	0	0	0	0	0	0	0	0	1	1	1	1	1	1	1	
	Cyan	0	0	0	0	0	0	0	0	1	1	1	1	1	1	1	1	1	1	1	1	1	1	1	
	Magenta	1	1	1	1	1	1	1	1	0	0	0	0	0	0	0	0	1	1	1	1	1	1	1	
	Yellow	1	1	1	1	1	1	1	1	1	1	1	1	1	1	1	1	0	0	0	0	0	0	0	
	White	1	1	1	1	1	1	1	1	1	1	1	1	1	1	1	1	1	1	1	1	1	1	1	
Gray Scale Of Red	Red(0) / Dark	0	0	0	0	0	0	0	0	0	0	0	0	0	0	0	0	0	0	0	0	0	0		
	Red(1)	0	0	0	0	0	0	0	1	0	0	0	0	0	0	0	0	0	0	0	0	0	0		
	Red(2)	0	0	0	0	0	0	1	0	0	0	0	0	0	0	0	0	0	0	0	0	0	0		
	:	:	:	:	:	:	:	:	:	:	:	:	:	:	:	:	:	:	:	:	:	:	:		
	:	:	:	:	:	:	:	:	:	:	:	:	:	:	:	:	:	:	:	:	:	:	:		
	Red(253)	1	1	1	1	1	1	0	1	0	0	0	0	0	0	0	0	0	0	0	0	0	0		
	Red(254)	1	1	1	1	1	1	1	0	0	0	0	0	0	0	0	0	0	0	0	0	0	0		
	Red(255)	1	1	1	1	1	1	1	1	0	0	0	0	0	0	0	0	0	0	0	0	0	0		
Gray Scale Of Green	Green(0) / Dark	0	0	0	0	0	0	0	0	0	0	0	0	0	0	0	0	0	0	0	0	0	0		
	Green(1)	0	0	0	0	0	0	0	0	0	0	0	0	0	0	1	0	0	0	0	0	0	0		
	Green(2)	0	0	0	0	0	0	0	0	0	0	0	0	0	1	0	0	0	0	0	0	0	0		
	:	:	:	:	:	:	:	:	:	:	:	:	:	:	:	:	:	:	:	:	:	:	:		
	:	:	:	:	:	:	:	:	:	:	:	:	:	:	:	:	:	:	:	:	:	:	:		
	Green(253)	0	0	0	0	0	0	0	0	1	1	1	1	1	1	0	1	0	0	0	0	0	0		
	Green(254)	0	0	0	0	0	0	0	0	1	1	1	1	1	1	1	0	0	0	0	0	0	0		
	Green(255)	0	0	0	0	0	0	0	0	1	1	1	1	1	1	1	1	0	0	0	0	0	0		
Gray Scale Of Blue	Blue(0) / Dark	0	0	0	0	0	0	0	0	0	0	0	0	0	0	0	0	0	0	0	0	0	0		
	Blue(1)	0	0	0	0	0	0	0	0	0	0	0	0	0	0	0	0	0	0	0	0	0	1		
	Blue(2)	0	0	0	0	0	0	0	0	0	0	0	0	0	0	0	0	0	0	0	0	0	1		
	:	:	:	:	:	:	:	:	:	:	:	:	:	:	:	:	:	:	:	:	:	:	:		
	:	:	:	:	:	:	:	:	:	:	:	:	:	:	:	:	:	:	:	:	:	:	:		
	Blue(253)	0	0	0	0	0	0	0	0	0	0	0	0	0	0	0	1	1	1	1	1	1	0		
	Blue(254)	0	0	0	0	0	0	0	0	0	0	0	0	0	0	0	1	1	1	1	1	1	0		
	Blue(255)	0	0	0	0	0	0	0	0	0	0	0	0	0	0	0	1	1	1	1	1	1	1		

Note (1) 0: Low Level Voltage, 1: High Level Voltage

## 6. INTERFACE TIMING

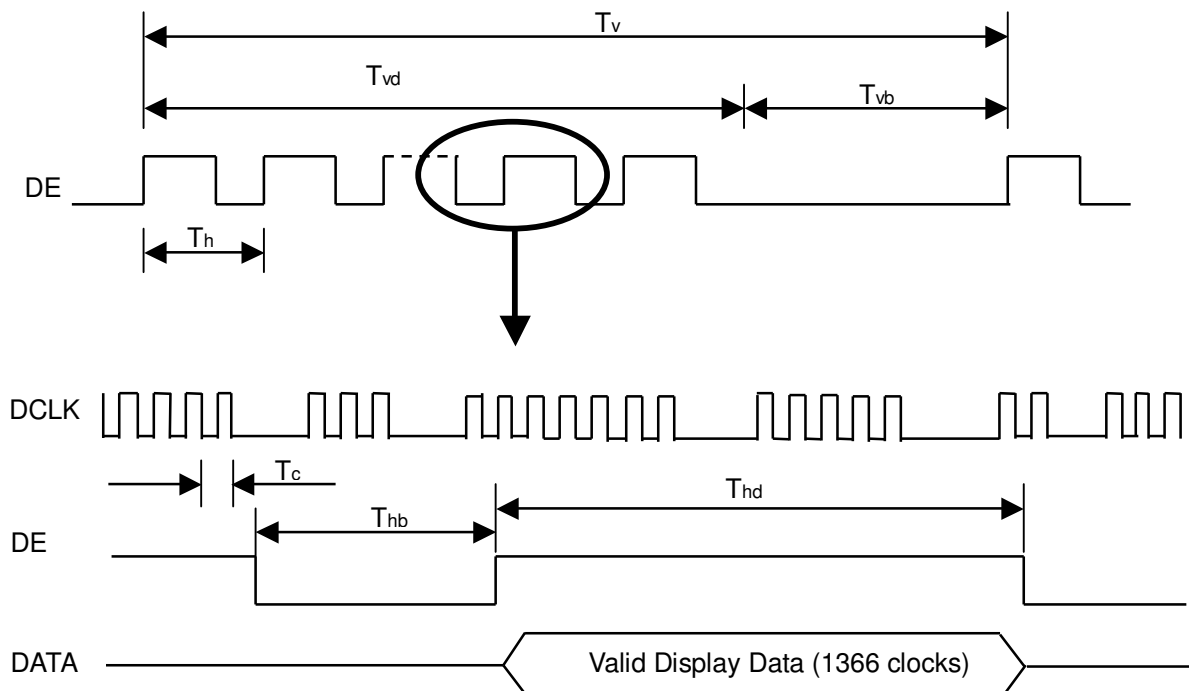
### 6.1 INPUT SIGNAL TIMING SPECIFICATIONS

The input signal timing specifications are shown as the following table and timing diagram.

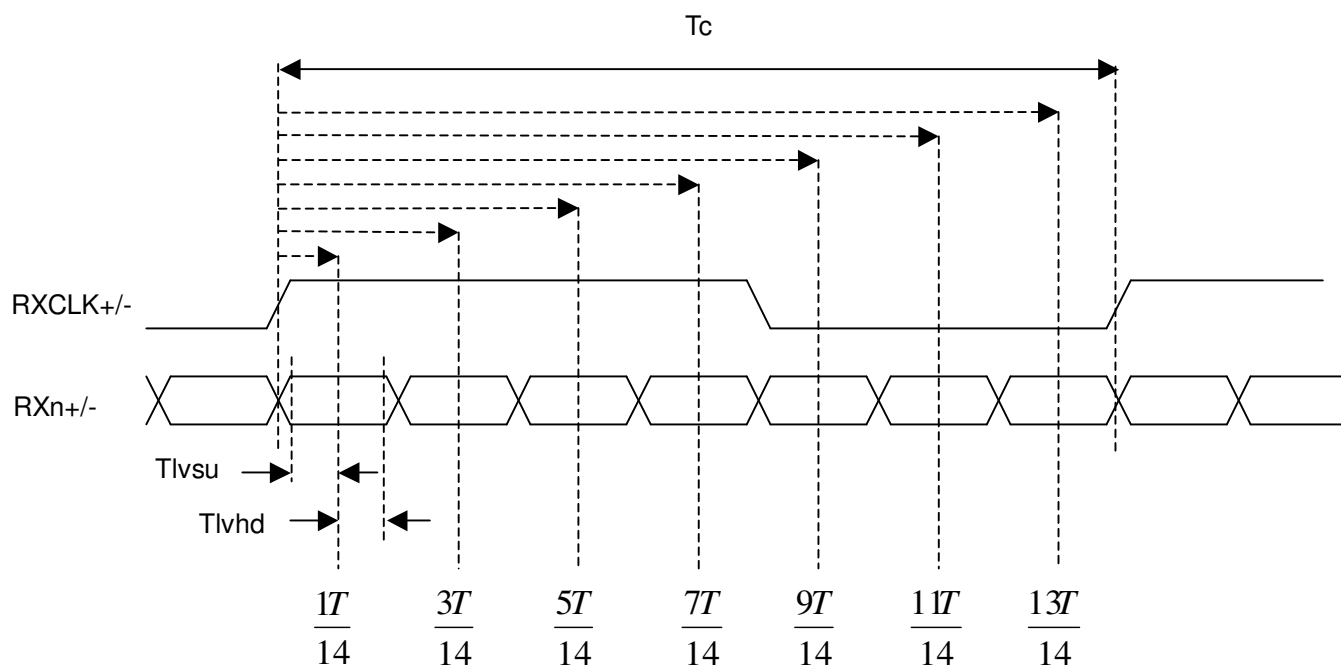
Signal	Item	Symbol	Min.	Typ.	Max.	Unit	Note
LVDS Receiver Clock	Frequency	1/Tc	60	76	82	MHz	
	Input cycle to cycle jitter	Trcl	—	—	200	ps	
LVDS Receiver Data	Setup Time	Tlvsu	600	—	—	ps	
	Hold Time	Tlvhd	600	—	—	ps	
Vertical Active Display Term	Frame Rate	Fr5	47	50	53	Hz	
		Fr6	57	60	63	Hz	
	Total	Tv	778	806	888	Th	Tv=Tvd+Tvb
	Display	Tvd	768	768	768	Th	-
	Blank	Tvb	10	38	120	Th	-
Horizontal Active Display Term	Total	Th	1442	1560	1936	Tc	Th=Thd+Thb
	Display	Thd	1366	1366	1366	Tc	-
	Blank	Thb	76	194	570	Tc	-

Note (1) Since this module is operated in DE only mode, Hsync and Vsync input signals should be set to low logic level. Otherwise, this module would operate abnormally.

### INPUT SIGNAL TIMING DIAGRAM

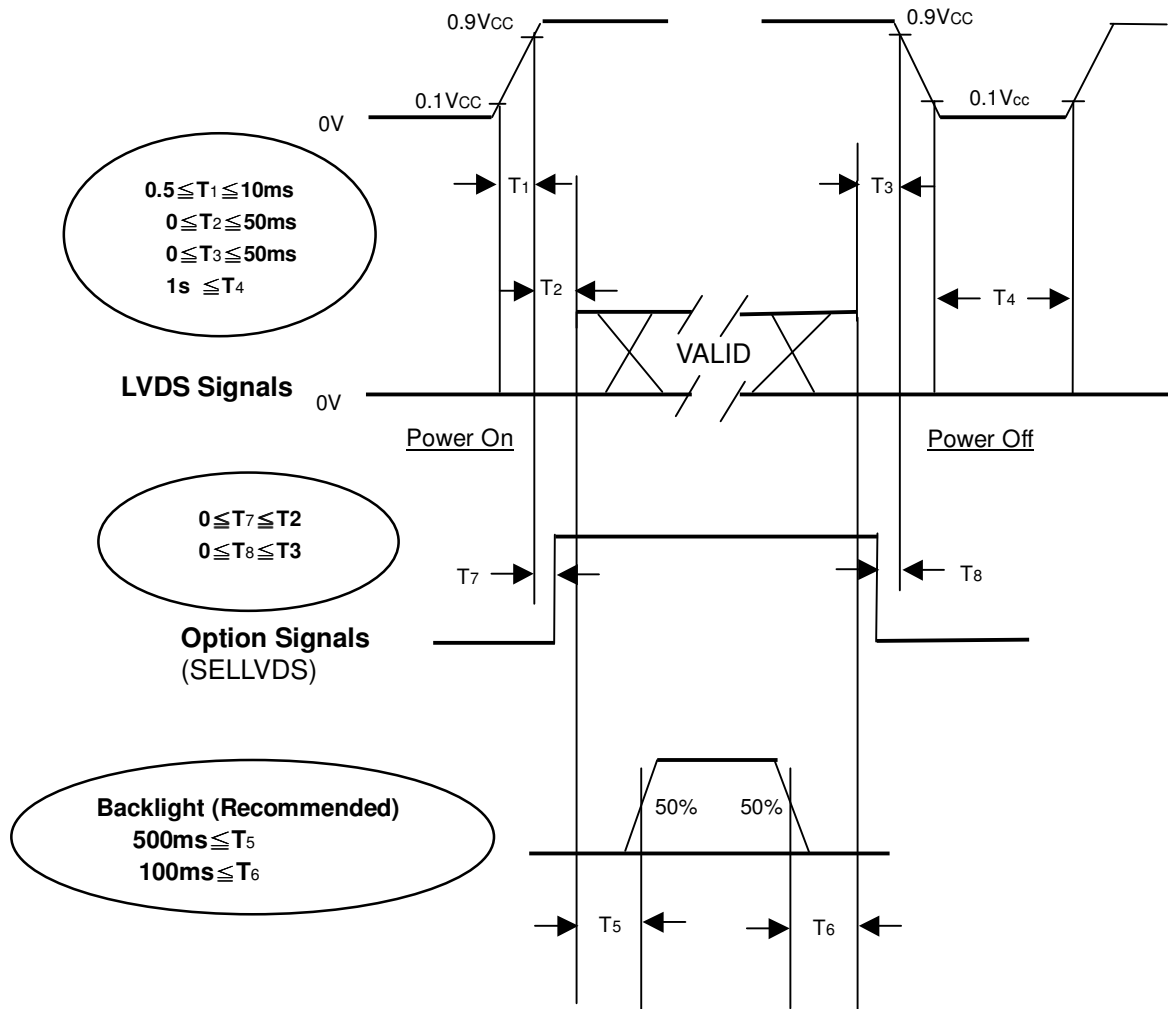


**LVDS RECEIVER INTERFACE TIMING DIAGRAM**



## 6.2 POWER ON/OFF SEQUENCE

To prevent a latch-up or DC operation of LCD module, the power on/off sequence should be as the diagram below.



**Power ON/OFF Sequence**

Note (1) The supply voltage of the external system for the module input should follow the definition of  $V_{CC}$ .

Note (2) Apply the lamp voltage within the LCD operation range. When the backlight turns on before the LCD operation or the LCD turns off before the backlight turns off, the display may momentarily become abnormal screen.

Note (3) In case of  $V_{CC}$  is in off level, please keep the level of input signals on the low or high impedance. If  $T_2 < 0$ , that maybe cause electrical overstress failure.

Note (4)  $T_4$  should be measured after the module has been fully discharged between power off and on period.

Note (5) Interface signal shall not be kept at high impedance when the power is on.

## 7. OPTICAL CHARACTERISTICS

### 7.1 TEST CONDITIONS

Item	Symbol	Value	Unit
Ambient Temperature	Ta	25±2	°C
Ambient Humidity	Ha	50±10	%RH
Supply Voltage	V <sub>CC</sub>	12.0	V
Input Signal	According to typical value in "3. ELECTRICAL CHARACTERISTICS"		
Lamp Current	I <sub>L</sub>	6.5 ± 0.5	mA
Oscillating Frequency (Inverter)	F <sub>w</sub>	58 ± 3	KHz
Vertical Frame Rate	Fr	60	Hz

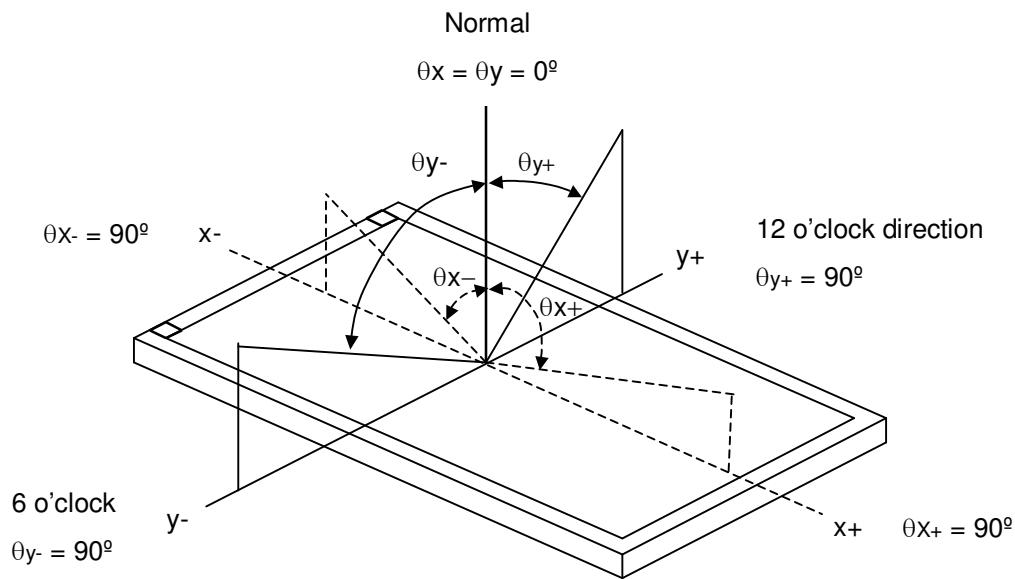
### 7.2 OPTICAL SPECIFICATIONS

The relative measurement methods of optical characteristics are shown in 7.2. The following items should be measured under the test conditions described in 7.1 and stable environment shown in Note (6).

Item		Symbol	Condition	Min.	Typ.	Max.	Unit	Note	
Contrast Ratio		CR	Viewing Normal Angle $\theta_x=0^\circ, \theta_y=0^\circ$	600	800		-	(2)	
Response Time		T <sub>R</sub>			1.3	2.2	ms	(3)	
		T <sub>F</sub>			3.7	5.8			
Center Luminance of White		L <sub>C</sub>			350	450			(4)
White Variation		$\delta W$					1.3	-	(7)
Cross Talk		CT					4	%	(5)
Color Chromaticity	Red	R <sub>x</sub>		Viewing Normal Angle	Typ. -0.03	0.643	Typ. +0.03	-	(6)
		R <sub>y</sub>				0.333		-	
	Green	G <sub>x</sub>				0.272		-	
		G <sub>y</sub>				0.593		-	
	Blue	B <sub>x</sub>	0.150			-			
		B <sub>y</sub>	0.064			-			
	White	W <sub>x</sub>	0.280			-			
		W <sub>y</sub>	0.290			-			
Color Gamut		CG		68	72		%	NTSC	
Viewing Angle	Horizontal	$\theta_{x+}$	CR≥10		70	80	Deg.	(1)	
		$\theta_{x-}$			70	80			
	Vertical	$\theta_{y+}$			70	80			
		$\theta_{y-}$			60	70			

Note (1) Definition of Viewing Angle ( $\theta_x, \theta_y$ ):

Viewing angles are measured by EZ-Contrast 160R (Eldim)



Note (2) Definition of Contrast Ratio (CR):

The contrast ratio can be calculated by the following expression.

$$\text{Contrast Ratio (CR)} = L_{255} / L_0$$

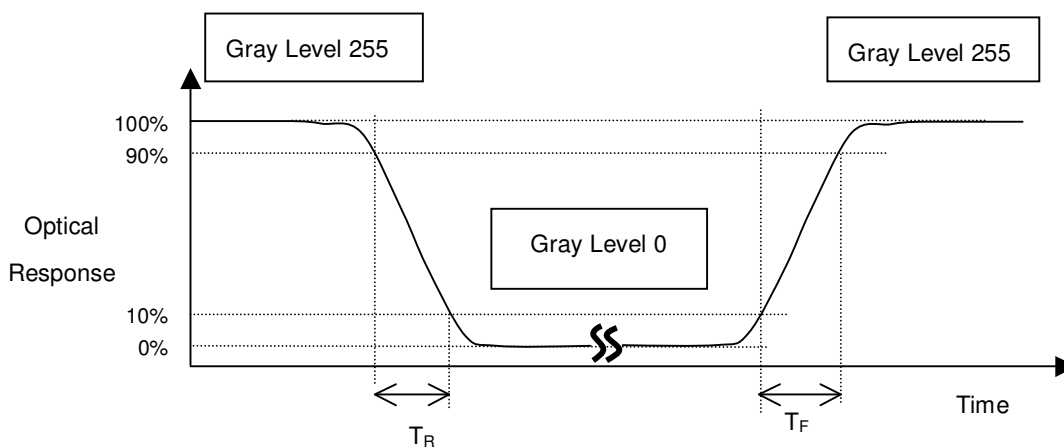
L255: Luminance of gray level 255

L 0: Luminance of gray level 0

$$\text{CR} = \text{CR (5)},$$

CR (X) is corresponding to the Contrast Ratio of the point X at the figure in Note (7).

Note (3) Definition of Response Time ( $T_R, T_F$ ):



Note (4) Definition of Luminance of White ( $L_C$ ):

Measure the luminance of gray level 255 at center point and 5 points

$$L_C = L(5)$$

$L(X)$  is corresponding to the luminance of the point X at the figure in Note (7).

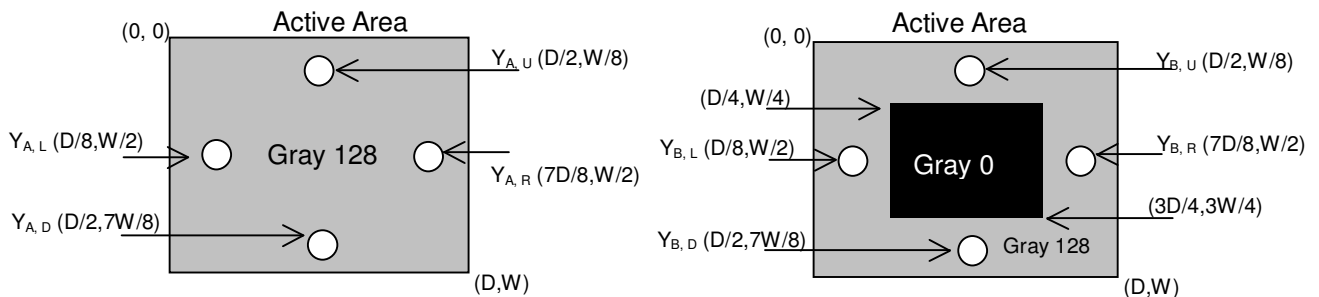
Note (5) Definition of Cross Talk (CT):

$$CT = |Y_B - Y_A| / Y_A \times 100 (\%)$$

Where:

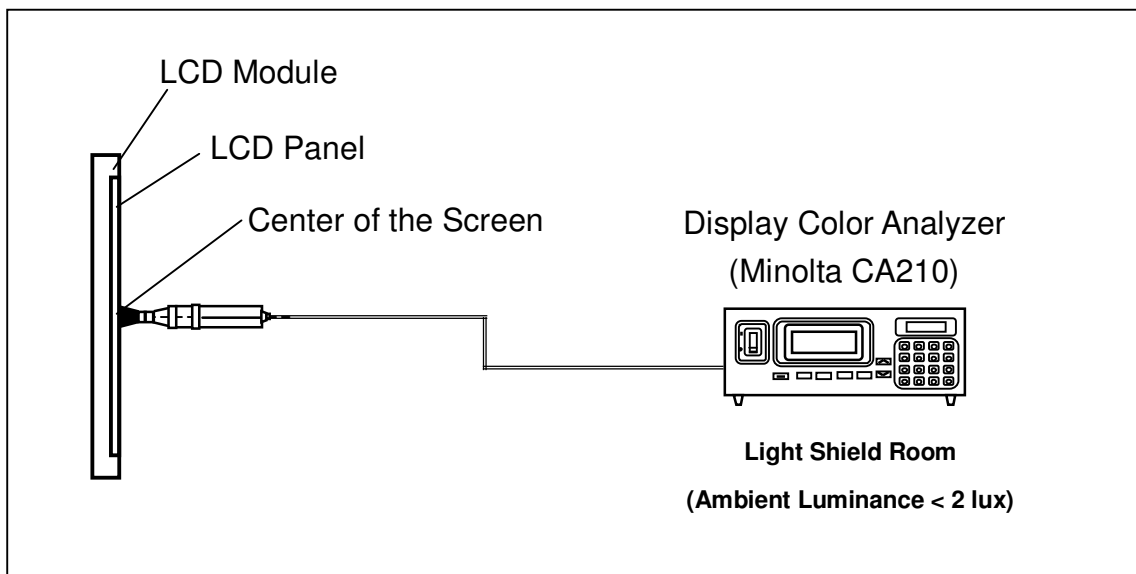
$Y_A$  = Luminance of measured location without gray level 0 pattern ( $\text{cd/m}^2$ )

$Y_B$  = Luminance of measured location with gray level 0 pattern ( $\text{cd/m}^2$ )



Note (6) Measurement Setup:

The LCD module should be stabilized at given temperature for 1 hour to avoid abrupt temperature change during measuring. In order to stabilize the luminance, the measurement should be executed after lighting Backlight for 1 hour in a windless room.

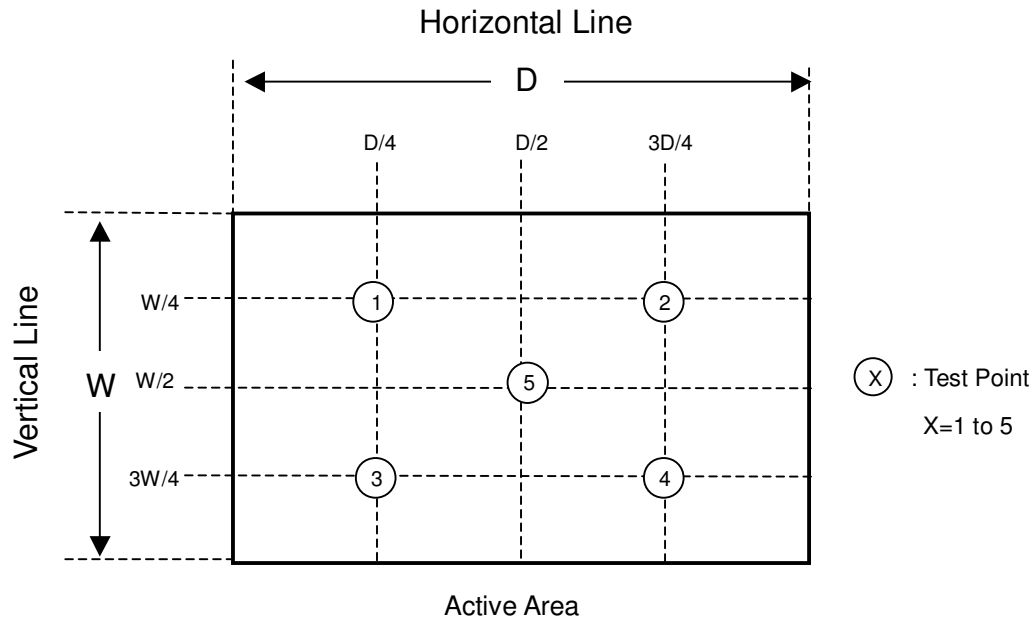




Note (7) Definition of White Variation ( $\delta W$ ):

Measure the luminance of gray level 255 at 5 points

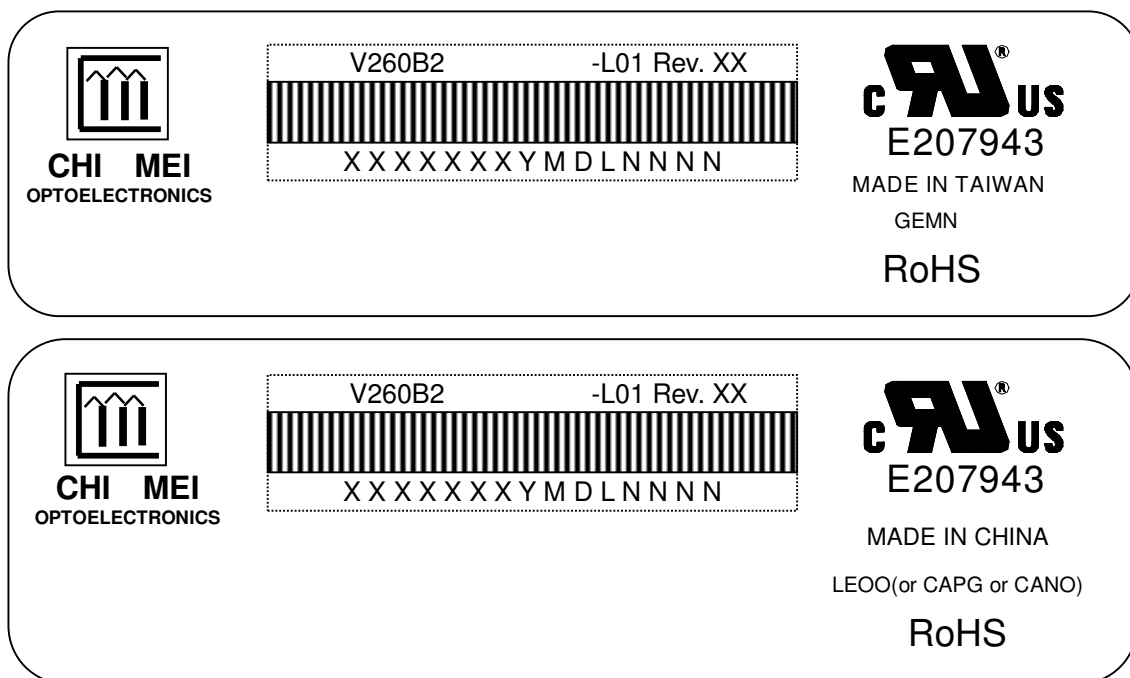
$$\delta W = \text{Maximum} [L(1), L(2), L(3), L(4), L(5)] / \text{Minimum} [L(1), L(2), L(3), L(4), L(5)]$$



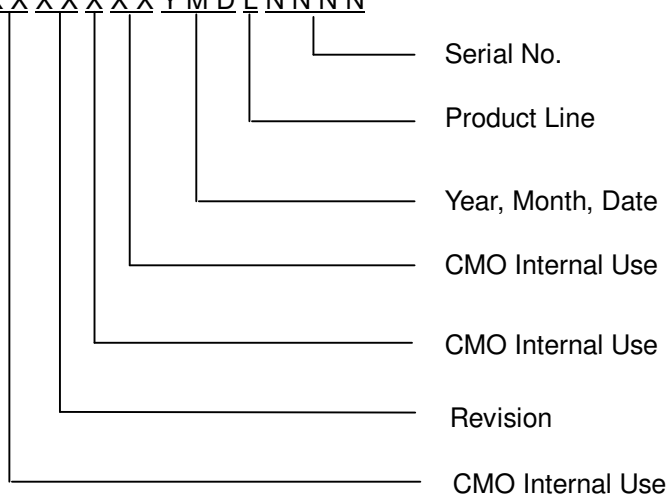
## 8. DEFINITION OF LABELS

### 8.1 CMO MODULE LABEL

The barcode nameplate is pasted on each module as illustration, and its definitions are as following explanation.



- (a) Model Name: V260B2-L01
- (b) Revision: Rev. XX, for example: A0, A1... B1, B2... or C1, C2...etc.
- (c) Serial ID: XXXXXXXXYMDLNNNN



Serial ID includes the information as below:

- (a) Manufactured Date: Year: 1~9, for 2001~2009  
 Month: 1~9, A~C, for Jan. ~ Dec.  
 Day: 1~9, A~Y, for 1<sup>st</sup> to 31<sup>st</sup>, exclude I ,O, and U.
- (b) Revision Code: Cover all the change
- (c) Serial No.: Manufacturing sequence of product
- (d) Product Line: 1 -> Line1, 2 -> Line 2, ...etc.

## 9. PACKAGING

### 9.1 PACKING SPECIFICATIONS

- (1) 7 LCD TV modules / 1 Box
- (2) Box dimensions : 713(L)x429(W)x453(H)mm
- (3) Weight : approximately 30.48 Kg ( 7 modules per box)

### 9.2 PACKING METHOD

Figures 9-1 and 9-2 are the packing method

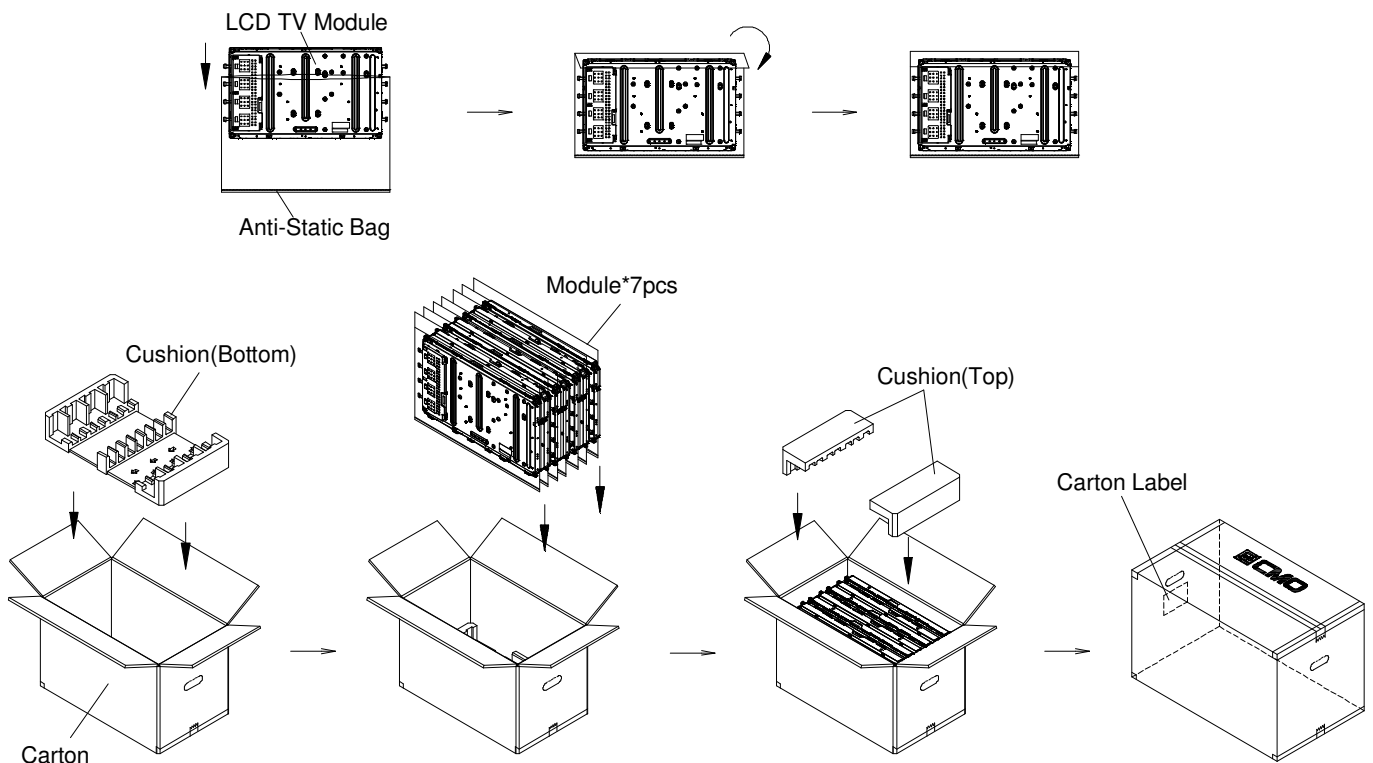
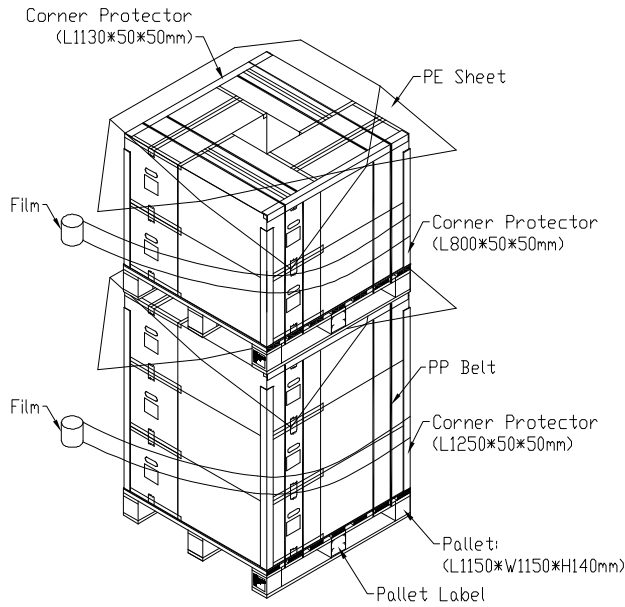
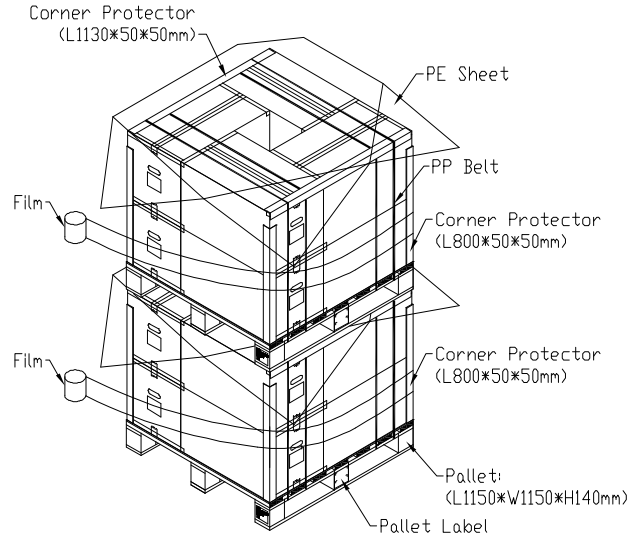


Figure.9-1 packing method

Sea / Land Transportation  
(40ft HQ Container)



Sea / Land Transportation  
(40ft Container)



Air Transportation

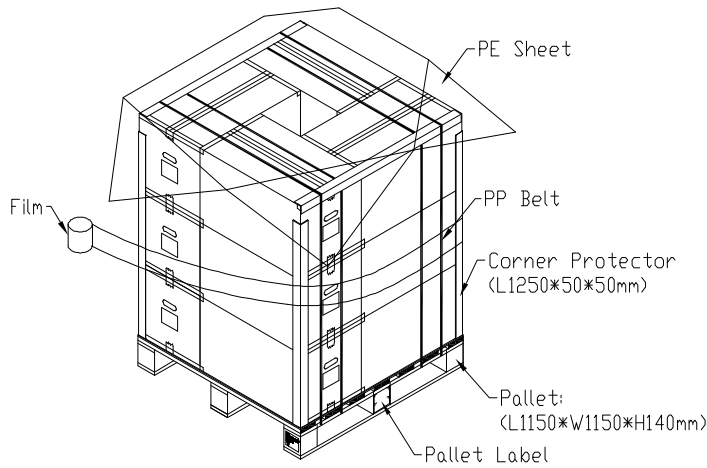


Figure.9-2 Packing method

## 10. PRECAUTIONS

### 10.1 ASSEMBLY AND HANDLING PRECAUTIONS

- (1) Do not apply rough force such as bending or twisting to the module during assembly.
- (2) It is recommended to assemble or to install a module into the user's system in clean working areas.  
The dust and oil may cause electrical short or worsen the polarizer.
- (3) Do not apply pressure or impulse to the module to prevent the damage of LCD panel and backlight.
- (4) Always follow the correct power-on sequence when the LCD module is turned on. This can prevent the damage and latch-up of the CMOS LSI chips.
- (5) Do not plug in or pull out the I/F connector while the module is in operation.
- (6) Do not disassemble the module.
- (7) Use a soft dry cloth without chemicals for cleaning, because the surface of polarizer is very soft and easily scratched.
- (8) Moisture can easily penetrate into LCD module and may cause the damage during operation.
- (9) High temperature or humidity may deteriorate the performance of LCD module. Please store LCD modules in the specified storage conditions.
- (10) When ambient temperature is lower than 10°C, the display quality might be reduced. For example, the response time will become slow, and the starting voltage of CCFL will be higher than that of room temperature.

### 10.2 SAFETY PRECAUTIONS

- (1) The startup voltage of a backlight is over 1000 Volts. It may cause an electrical shock while assembling with the inverter. Do not disassemble the module or insert anything into the backlight unit.
- (2) If the liquid crystal material leaks from the panel, it should be kept away from the eyes or mouth. In case of contact with hands, skin or clothes, it has to be washed away thoroughly with soap.
- (3) After the module's end of life, it is not harmful in case of normal operation and storage.

### 10.3 STORAGE PRECAUTIONS

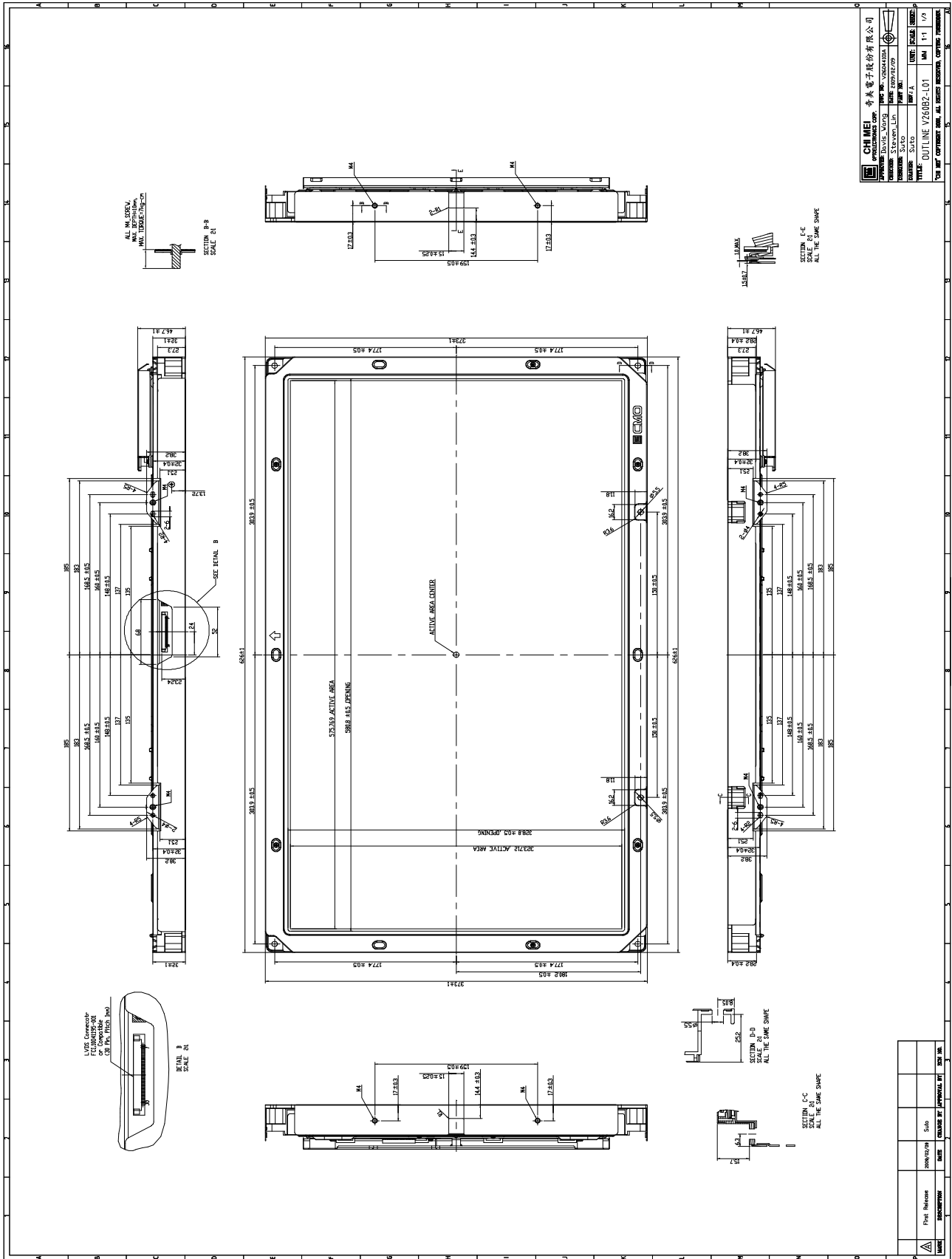
When storing modules as spares for a long time, the following precaution is necessary.

- (1) Do not leave the module in high temperature, and high humidity for a long time.  
It is highly recommended to store the module with temperature from 0 to 35°C at normal humidity without condensation.
- (2) The module shall be stored in dark place. Do not store the TFT-LCD module in direct sunlight or fluorescent light.

**11. REGULATORY STANDARDS****11.1 SAFETY**

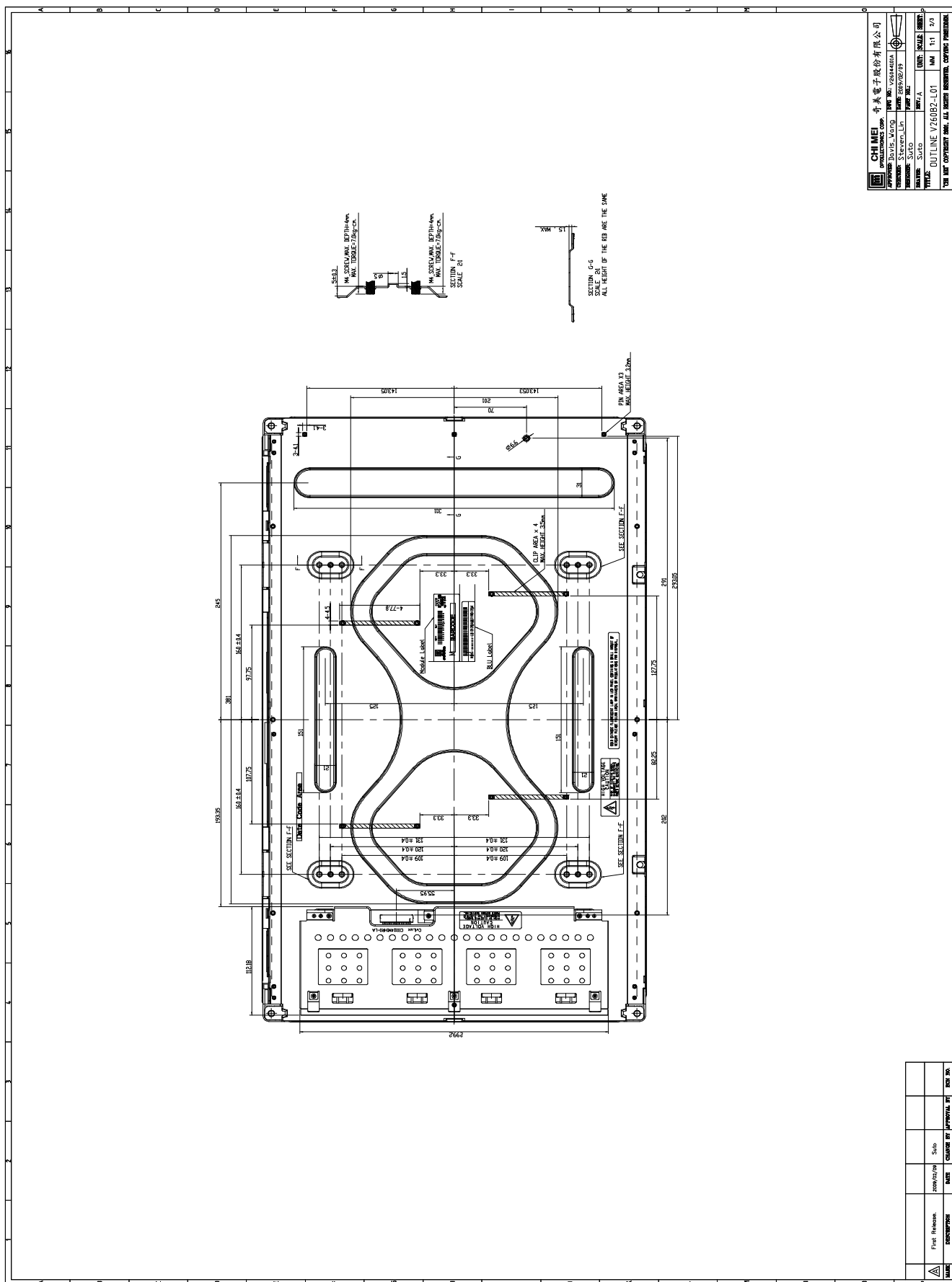
Regulatory	Item	Standard
Information Technology equipment	UL	UL 60950-1: 2003
	cUL	CAN/CSA C22.2 No.60950-1-03
	CB	IEC 60950-1:2001
Audio/Video Apparatus	UL	UL 60065: 2003
	cUL	CAN/CSA C22.2 No.60065-03
	CB	IEC 60065:2001

## 12. MECHANICAL CHARACTERISTICS



CHI MEI 奇美電子股份有限公司		OPTOELECTRONICS CORP.	
DESIGN NO.	V260B2-L01	DATE	2009/02/27
DESIGNER	LIU, L-C	DRAWN BY	LIU, L-C
REVISION	0.1	DATE	2009/02/27
TITLE	OUTLINE V260B2-L01	UNIT	SCALE
	MM	1:1	1/1

DATE	DESCRIPTION	DATE	BY
2009/02/27	Sub		
Print Release		CHECKED BY	
APPROVAL		APPROVAL BY	

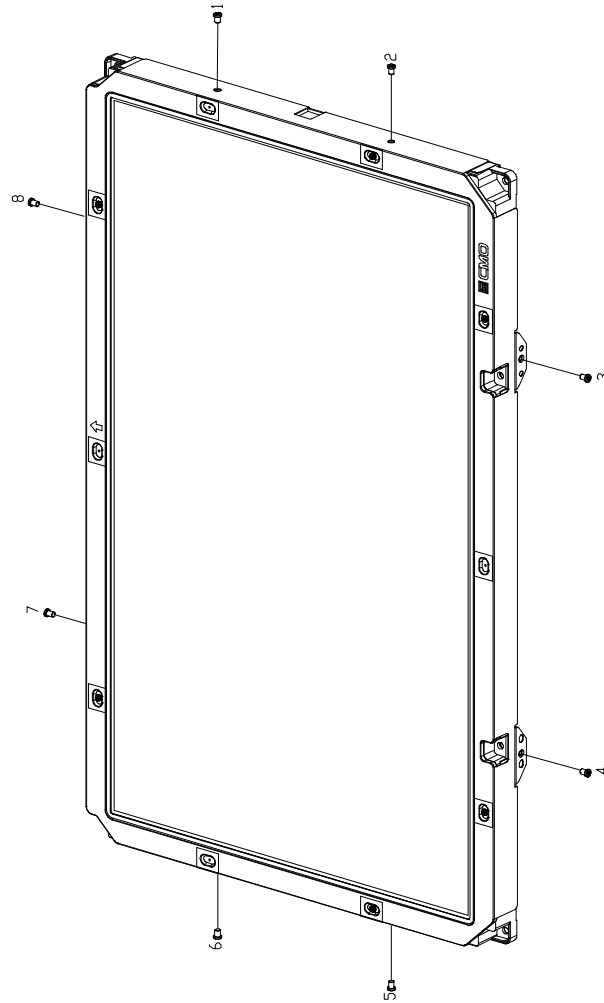


CHI MEI OPTOELECTRONICS CORP. CHIMEI DRIVE, WOTUP TAINAN, TAIWAN 70701 TEL: +886-6-2211511 FAX: +886-6-2211512		CHIMEI 奇美電子股份有限公司 台南市安平區安平路151號 電話: +886-6-2211511 傳真: +886-6-2211512	
MODEL	V260B2-L01	DATE	1/11/09
VIEW	OUTLINE	UNIT	MM
SCALE	1:1	SCALE	1:1
THIS DRAWING IS THE PROPERTY OF CHI MEI OPTOELECTRONICS CORP. AND IS NOT TO BE REPRODUCED, COPIED, OR TRANSMITTED IN ANY FORM OR BY ANY MEANS WITHOUT THE WRITTEN PERMISSION OF CHI MEI OPTOELECTRONICS CORP.			

NO.	DESCRIPTION	DATE	DESIGNED BY	APPROVED BY	ISS. NO.
1	First Release				



NOTE:  
1.We Recommend all Fixture Screws(No.1 to 8)  
are Included While Assembling(Side Mount)  
2.Torgue of All M4 Screws Are 7kgf-cm(MAX)



CHI MEI 奇美電子股份有限公司	
OPTOELECTRONICS CORP.	奇美電子股份有限公司
DATE: 2009.02.16	DATE: 2009.02.16
DESIGNER: S.Y.LIN	DESIGNER: S.Y.LIN
DRAWER: S.Y.LIN	DRAWER: S.Y.LIN
DATE: 2009.02.16	DATE: 2009.02.16
SCALE: 1:1	SCALE: 1:1
UNIT: MM	UNIT: MM
TYPE: OUTLINE V260B2-L01	TYPE: OUTLINE V260B2-L01
NO. 1/3	NO. 1/3
THIS DRAWING CONTAINS TRADE SECRETS, PROPRIETARY INFORMATION, AND OTHER CONFIDENTIAL INFORMATION. ALL RIGHTS RESERVED. OPTOELECTRONICS CORP.	

DATE	REVISION BY	REVISION NO.	DATE
Print Release			
DATE	REVISION BY	REVISION NO.	DATE