

TENTATIVE

TOSHIBA HYBRID DIGITAL INTEGRATED CIRCUIT

8,388,608-WORD BY 72-BIT SYNCHRONOUS DRAM MODULE DESCRIPTION

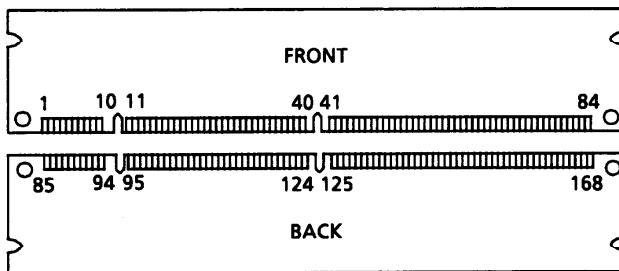
The THMY7280D0CEG is a 8,388,608-word by 72-bit synchronous dynamic RAM module consisting of nine TC59S6408CFT DRAMs and PLL/Registers on a printed circuit board.

FEATURES

- 8,388,608-word by 72-bit (single-bank) organization
- Single power supply of 3.3 V ± 0.3 V
- Pipeline architecture
- Auto-refresh and Self-refresh capability
- All inputs and outputs LVTTTL-compatible
- 4096 refresh cycles per 64 ms
- Package: 168-pin DIMM Gold contacts
- Based on RCC PC133 Rev1.0 (-75)
- Based on Intel PC100 Rev. 1.2 (-80)

	-75	-80
t _{CK} Clock Cycle Time (DIMM CL = 3)	7.5 ns	8 ns
t _{RAS} Active-to-Precharge Command Period (min)	45 ns	48 ns
t _{AC} Access Time from CLK (DIMM CL = 3)	5.4 ns	6.0 ns
t _{RC} Ref/Active-to-Ref/Active Command Period (min)	65 ns	68 ns

PIN ASSIGNMENT (TOP VIEW)



PIN NAMES

A0 to A11	Address Inputs
BA0, 1	Bank Select
DQ0 to DQ63	Data Inputs/Outputs
CB0 to 7	Check Bits
/CS0, 2	Chip Select
/RAS	Row Address Strobe
/CAS	Column Address Strobe
/WE	Write Enable
DQM0 to 7	Output Disable / Write Mask
CLK0 to 3	Clock Input
CKE	Clock Enable
REGE	Register Enable
SDA	Serial Data / Address for PD
SCL	Clock for PD
SA0 to 2	Address for PD
WP	Write Protect for PD
VDD	Power (+ 3.3 V)
VSS	Ground
NC	No Connection

1 VSS	85 VSS	29 DQM81	113 DQM85	57 DQ18	141 DQ50
2 DQ0	86 DQ32	30 /CS0	114 NC	58 DQ19	142 DQ51
3 DQ1	87 DQ33	31 NC	115 /RAS	59 VDD	143 VDD
4 DQ2	88 DQ34	32 VSS	116 VSS	60 DQ20	144 DQ52
5 DQ3	89 DQ35	33 A0	117 A1	61 NC	145 NC
6 VDD	90 VDD	34 A2	118 A3	62 NC	146 NC
7 DQ4	91 DQ36	35 A4	119 A5	63 NC	147 REGE
8 DQ5	92 DQ37	36 A6	120 A7	64 VSS	148 VSS
9 DQ6	93 DQ38	37 A8	121 A9	65 DQ21	149 DQ53
10 DQ7	94 DQ39	38 A10	122 BA0	66 DQ22	150 DQ54
11 DQ8	95 DQ40	39 BA1	123 A11	67 DQ23	151 DQ55
12 VSS	96 VSS	40 VDD	124 VDD	68 VSS	152 VSS
13 DQ9	97 DQ41	41 VDD	125 CLK1	69 DQ24	153 DQ56
14 DQ10	98 DQ42	42 CLK0	126 NC	70 DQ25	154 DQ57
15 DQ11	99 DQ43	43 VSS	127 VSS	71 DQ26	155 DQ58
16 DQ12	100 DQ44	44 NC	128 CKE	72 DQ27	156 DQ59
17 DQ13	101 DQ45	45 /CS2	129 NC	73 VDD	157 VDD
18 VDD	102 VDD	46 DQM82	130 DQM86	74 DQ28	158 DQ60
19 DQ14	103 DQ46	47 DQM83	131 DQM87	75 DQ29	159 DQ61
20 DQ15	104 DQ47	48 NC	132 NC	76 DQ30	160 DQ62
21 CB0	105 CB4	49 VDD	133 VDD	77 DQ31	161 DQ63
22 CB1	106 CB5	50 NC	134 NC	78 VSS	162 VSS
23 VSS	107 VSS	51 NC	135 NC	79 CLK2	163 CLK3
24 NC	108 NC	52 CB2	136 CB6	80 NC	164 NC
25 NC	109 NC	53 CB3	137 CB7	81 WP	165 SA0
26 VDD	110 VDD	54 VSS	138 VSS	82 SDA	166 SA1
27 /WE	111 /CAS	55 DQ16	139 DQ48	83 SCL	167 SA2
28 DQM80	112 DQMR4	56 DQ17	140 DQ49	84 VDD	168 VDD

980910EBA1

- TOSHIBA is continually working to improve the quality and the reliability of its products. Nevertheless, semiconductor devices in general can malfunction or fail due to their inherent electrical sensitivity and vulnerability to physical stress. It is the responsibility of the buyer, when utilizing TOSHIBA products, to observe standards of safety, and to avoid situations in which a malfunction or failure of a TOSHIBA product could cause loss of human life, bodily injury or damage to property. In developing your designs, please ensure that TOSHIBA products are used within specified operating ranges as set forth in the most recent products specifications. Also, please keep in mind the precautions and conditions set forth in the TOSHIBA Semiconductor Reliability Handbook.
- The products described in this document are subject to the foreign exchange and foreign trade laws.
- The information contained herein is presented only as a guide for the applications of our products. No responsibility is assumed by TOSHIBA CORPORATION for any infringements of intellectual property or other rights of the third parties which may result from its use. No license is granted by implication or otherwise under any intellectual property or other rights of TOSHIBA CORPORATION or others.
- The information contained herein is subject to change without notice.

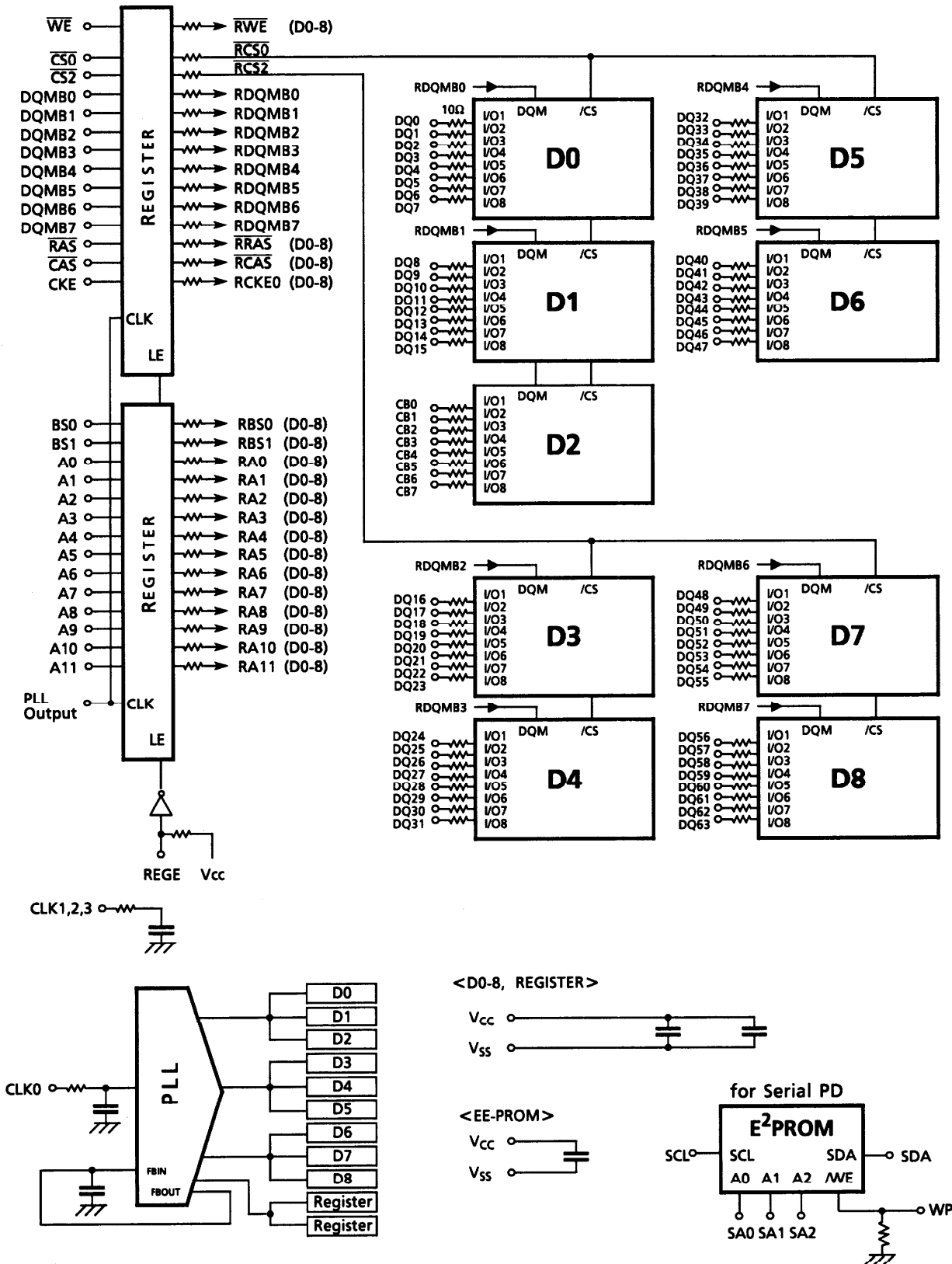
SERIAL PRESENCE DETECT (REV. 1.2A)

Byte Number	Function Described	-75		-80	
		Entry Value	Entry	Entry Value	Entry
0	Defines # Bytes Written into Serial Memory at Module mfg	128 Bytes	80h	128 Bytes	80h
1	Total # Bytes in SPD Memory Device	256 Bytes	08h	256 Bytes	08h
2	Fundamental Memory Type (FPM, EDO, SDRAM...) from Appendix A	SDRAM	04h	SDRAM	04h
3	# Row Addresses on this Assembly	RA0-RA11	0Ch	RA0-RA11	0Ch
4	# Column Addresses on this Assembly	CA0-CA8	09h	CA0-CA8	09h
5	# Module Banks on this Assembly	1 Bank	01h	1 Bank	01h
6	Data Width of this Assembly...	x72	48h	x72	48h
7	...Data Width Continuation	x72	00h	x72	00h
8	Voltage Interface Standard for this Assembly	LVTTTL	01h	LVTTTL	01h
9	SDRAM Cycle Time at Max. Supported CAS Latency (CL), CL = X	CL = 3, 7.5 ns	75h	CL = 3, 8.0 ns	80h
10	SDRAM Access from Clock @ CL = X	CL = 3, 5.4 ns	54h	CL = 3, 6.0 ns	60h
11	DIMM Configuration Type (Non-parity, Parity, ECC)	ECC	02h	ECC	02h
12	Refresh Rate/Type	15.625 µs/Self-Refresh	80h	15.625 µs/Self-Refresh	80h
13	SDRAM Width, Primary DRAM	x8	08h	x8	08h
14	Error Checking SDRAM Data Width	x8	08h	x8	08h
15	Minimum Clock Delay, Back-to-Back Random Column Addresses	1 CLK	01h	1 CLK	01h
16	Burst Lengths Supported	1,2,4,8 Full page	8Fh	1,2,4,8 Full page	8Fh
17	# Banks on Each SDRAM Device	4 Banks	04h	4 Banks	04h
18	CAS # Latencies Supported	2,3	06h	2,3	06h
19	CS # Latency		01h		01h
20	WE # Latency		01h		01h
21	SDRAM Module Attributes	PLL (Clock)/Registered	16h	PLL (Clock)/Registered	16h
22	SDRAM Device Attributes: General		0Eh		0Eh
23	Minimum Clock Cycle Time at CL- X-1	CL = 2, 10 ns	A0h	CL = 2, 10 ns	A0h
24	Maximum Data Access Time from Clock @ CL X-1	CL = 2, 6.0 ns	60h	CL = 2, 6.0 ns	60h
25	Minimum Clock Cycle Time at CL X-2		00h		00h
26	Maximum Data Access Time from Clock @ CL X-2		00h		00h
27	Minimum Row Precharge Time	20 ns	14h	20 ns	14h
28	Minimum Row-Active-to-Row-Active Delay	15 ns	0Fh	20 ns	14h
29	Minimum RAS-to-CAS Delay	20 ns	14h	20 ns	14h
30	Minimum RAS Pulse Width	45 ns	2Dh	48 ns	30h
31	Module/Bank Density	64 MB	10h	64 MB	10h
32	Command & Address signal input Setup Time	1.5 ns	15h	2.0 ns	20h
33	Command & Address signal input Hold Time	0.8 ns	08h	1.0 ns	10h
34	Data signal input Setup Time	1.5 ns	15h	2.0 ns	20h
35	Data signal input Hold Time	0.8 ns	08h	1.0 ns	10h
36-61	Superset Information (May Be Used in Future)		FFh		FFh
62	SPD Revision	Rev. 1.2A	12h	Rev. 1.2A	12h
63	Checksum for Bytes 0-62	1EAC	ACH	1EF1h	F1h

OPTION

64	Manufacturers JEDEC ID Code per JEP-106E				
65-71	Manufacturers JEDEC ID Code per JEP-106E				
72	Manufacturing Location				
73-90	Manufacturer's Part Number				
91-92	Revision Code				
93-94	Date of Manufacture				
95-98	Assembly Serial Number				
99-125	Manufacturer-Specific Data				
126	Reserved		85h	Intel Specification	64h
127	Reserved	Intel Specification	87h	Intel Specification	87h
128-255					

BLOCK DIAGRAM



ABSOLUTE MAXIMUM RATINGS

SYMBOL	ITEM	RATING	UNIT	NOTES
V _{IN}	Input Voltage	-0.3 to V _{CC} + 0.3	V	1
V _{OUT}	Output Voltage	-0.3 to V _{CC} + 0.3	V	1
V _{DD}	Power Supply Voltage	-0.3 to 4.6	V	1
T _{OPR}	Operating Temperature	0 to 70	°C	1
T _{STG}	Storage Temperature	-55 to 125	°C	1
P _D	Power Dissipation	6.7	W	1
I _{OUT}	Short Circuit Output Current	50	mA	1

RECOMMENDED DC OPERATING CONDITIONS (Ta = 0° to 70°C)

SYMBOL	PARAMETER	MIN	TYP.	MAX	UNIT	NOTES
V _{DD}	Supply Voltage	3.0	3.3	3.6	V	2
V _{IH}	LVTTTL Input High Voltage	2.0	-	V _{DD} + 0.3	V	2
V _{IL}	LVTTTL Input Low Voltage	-0.3	-	0.8	V	2

CAPACITANCE (V_{CC} = 3.3 V, f = 1 MHz, Ta = 25°C)

SYMBOL	PARAMETER	MIN	MAX	UNIT
C ₁	Input Capacitance (A0 to A11)	-	10	pF
C ₂	Input Capacitance (\overline{RAS} , \overline{CAS} , \overline{WE} , BA0,1)	-	10	pF
C ₃	Input Capacitance (CLK0 to 3)	-	28	pF
C ₄	Input Capacitance ($\overline{CS0,2}$)	-	10	pF
C ₅	Input Capacitance (DQMB0 to 7)	-	10	pF
C ₆	Input Capacitance (\overline{CKE})	-	10	pF
C _{DQ}	I/O Capacitance (DQ0 to DQ63, CB0 to 7)	-	15	pF

DC CHARACTERISTICS ($V_{CC} = 3.3\text{ V} \pm 0.3\text{ V}$, $T_a = 0^\circ$ to 70°C)

SYMBOL	ITEM		-75		-80		UNIT	NOTES
			MIN	MAX	MIN	MAX		
I_{CC1}	OPERATING CURRENT Active-Precharge Command Cycling without Burst Operation ($t_{CK} = \text{min}$, $t_{RC} = \text{min}$)	1-Bank Operation	-	1669	-	1302	mA	5-A
I_{CC2}	STANDBY CURRENT ($t_{CK} = \text{min}$, $\overline{CS} = V_{IH}$, $V_{IH/L} = V_{IH}(\text{min}) / V_{IL}(\text{max})$)	CKE = V_{IH}	-	681	-	598	mA	3, 5-B
I_{CC2P}	Bank: Inactive State	CKE = V_{IL} (Power-down Mode)	-	285	-	247		
I_{CC2S}	STANDBY CURRENT ($CLK = V_{IL}$, $\overline{CS} = V_{IH}$, $V_{IH/L} = V_{IH}(\text{min}) / V_{IL}(\text{max})$)	CKE = V_{IH}	-	80	-	80	mA	5-B
I_{CC2PS}	Bank: Inactive State	CKE = V_{IL} (Power-down Mode)	-	35	-	35		
I_{CC3}	NO OPERATING CURRENT ($t_{CK} = \text{min}$, $\overline{CS} = V_{IH}(\text{min})$) Bank: Active State (4 banks)	CKE = V_{IH}	-	726	-	643	mA	3, 5-C
I_{CC4}	BURST OPERATING CURRENT ($t_{CK} = \text{min}$, $\overline{CS} = V_{IH}(\text{min})$, Read / Write Command Cycling)		-	1311	-	1228	mA	3, 4, 5-A
I_{CC5}	AUTO-REFRESH CURRENT ($t_{CK} = \text{min}$, $t_{RC} = \text{min}$, Auto-Refresh Command Cycling)		-	1266	-	1138	mA	3
I_{CC6}	SELF-REFRESH CURRENT (Self-Refresh Mode, CKE = 0.2 V)		-	35	-	35	mA	3, 5-D
$I_{I(L)}$	INPUT LEAKAGE CURRENT ($0\text{ V} \leq V_{IN} \leq V_{DD}$, All Other Pins Not under Test = 0 V)		-5	5	-5	5	μA	
$I_{O(L)}$	OUTPUT LEAKAGE CURRENT (D_{OUT} Is Disabled, $0\text{ V} \leq V_{OUT} \leq V_{DD}$)		-5	5	-5	5	μA	
V_{OH}	OUTPUT LEVEL LVTTTL Output H Level Voltage ($I_{OUT} = -2\text{ mA}$)		2.4	-	2.4	-	V	
V_{OL}	OUTPUT LEVEL LVTTTL Output L Level Voltage ($I_{OUT} = 2\text{ mA}$)		-	0.4	-	0.4	V	

AC CHARACTERISTICS AND RECOMMENDED OPERATING CONDITIONS

(V_{CC} = 3.3 V ± 0.3 V, Ta = 0° to 70°C) (Notes 5, 6, 7)

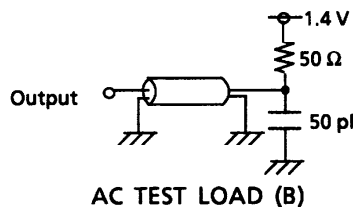
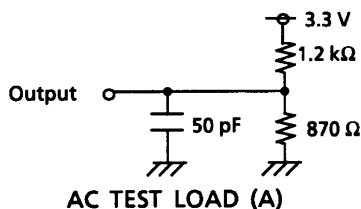
SYMBOL	PARAMETER	-75		-80		UNIT	NOTES
		MIN	MAX	MIN	MAX		
t _{RC}	Ref/Active-Ref/Active Command Period	65		68		ns	10
t _{RAS}	Active- Precharge Command Period	45	100000	48	100000		
t _{RCD}	Active-Read/Write Command Delay Time	20		20			
t _{CCD}	Read/Write(a) -Read/Write(b) Command Period	1		1		cycle	
t _{RP}	Precharge-Active Command Period	20		20		ns	
t _{RRD}	Active(a)-Active(b) Command Period	15		20			
t _{WR}	Write Recovery Time	CL* = 3	10	10			
		CL* = 4	7.5	8			
t _{CK}	CLK Cycle Time	CL* = 3	10	1000	1000		
		CL* = 4	7.5	1000	8		
t _{CH}	CLK High Level Width	2.5		3			11
t _{CL}	CLK Low Level Width	2.5		3			
t _{AC}	Access Time from CLK	CL* = 3		6.0	6.0		ns
		CL* = 4		5.4	6.0		
t _{OH}	Output Data Hold Time	2.7		3			
t _{HZ}	Output Data High Impedance Time	2.7	7.5	3	8	9	
t _{LZ}	Output Data Low Impedance Time	0		0			
t _{SB}	Power-down Mode Entry Time	0	7.5	0	8		
t _T	Transition Time of CLK (Rise and Fall)	0.5	10	0.5	10		
t _{DS}	Data-in Set-up Time	1.5		2			
t _{DH}	Data-in Hold Time	0.8		1			
t _{AS}	Address Set-up Time	1.5		2			
t _{AH}	Address Hold Time	0.8		1			
t _{CKS}	CKE Set-up Time	1.5		2			
t _{CKH}	CKE Hold Time	0.8		1			
t _{CMS}	Command Set-up Time	1.5		2			
t _{CMH}	Command Hold Time	0.8		1			
t _{REF}	Refresh Time		64		64	ms	
t _{RSC}	Mode Register Set Cycle Time	15		16		ns	9

* CL is $\overline{\text{CAS}}$ latency. (DIMM Level)

NOTES

1. Conditions outside the limits listed under Absolute Maximum Ratings may cause permanent damage to the device.
2. All voltages are referenced to V_{SS}.
3. These parameters depend on the cycle rate and their values are measured at the minimum cycle rate value t_{CK} and t_{RC}. Input signals are changed once during t_{CK}.
4. These parameters depend on the output loading. The specified values are obtained with the output open.
5. These values are measured under the following conditions.
 - A Front (or Back) side: Under the measuring conditions given on the date sheet
Back (or Front) side: In standby (measured under the I_{CC2} conditions)
 - B Address, BA, $\overline{\text{RAS}}$, $\overline{\text{CAS}}$, $\overline{\text{WE}}$ and $\overline{\text{DQMB}}$ are fixed High level
 - C Address, BA, $\overline{\text{RAS}}$, $\overline{\text{CAS}}$, $\overline{\text{WE}}$ and $\overline{\text{DQMB}}$ are fixed High level after bank active
 - D CLK is fixed Low level and Address, BA, $\overline{\text{RAS}}$, $\overline{\text{CAS}}$, $\overline{\text{WE}}$ and $\overline{\text{DQMB}}$ are fixed High level under self refresh.
6. The power-up sequence is described in Note 12.
7. AC TEST CONDITIONS

Reference Level of Output Signals	1.4 V / 1.4 V
Output Load	See the diagram for AC Test Load (B) below
Input Signal Levels	2.4 V / 0.4 V
Transition Time (Rise and Fall) of Input Signals	2 ns
Reference Level of Input Signals	1.4 V



8. Transition times are measured between the V_{IH} and V_{IL} levels. The transition (rise and fall) of input signals has a fixed slope.
9. t_{HZ} defines the time at which the outputs go open circuit and are not reference levels.
10. These parameters depend on the number of clock cycles and depend on the operating frequency of the clock as follows:

$$\text{Number of clock cycles} = \text{Specified value of timing} / \text{Clock period}$$

(Round up fractions to a whole number.)

11. t_{CH} is the pulse width of CLK measured from the positive edge to the negative edge and referenced to V_{IH} (min). t_{CL} is the pulse width of CLK measured from the negative edge to the positive edge and referenced to V_{IL} (max).

12. **Power-up Sequence**

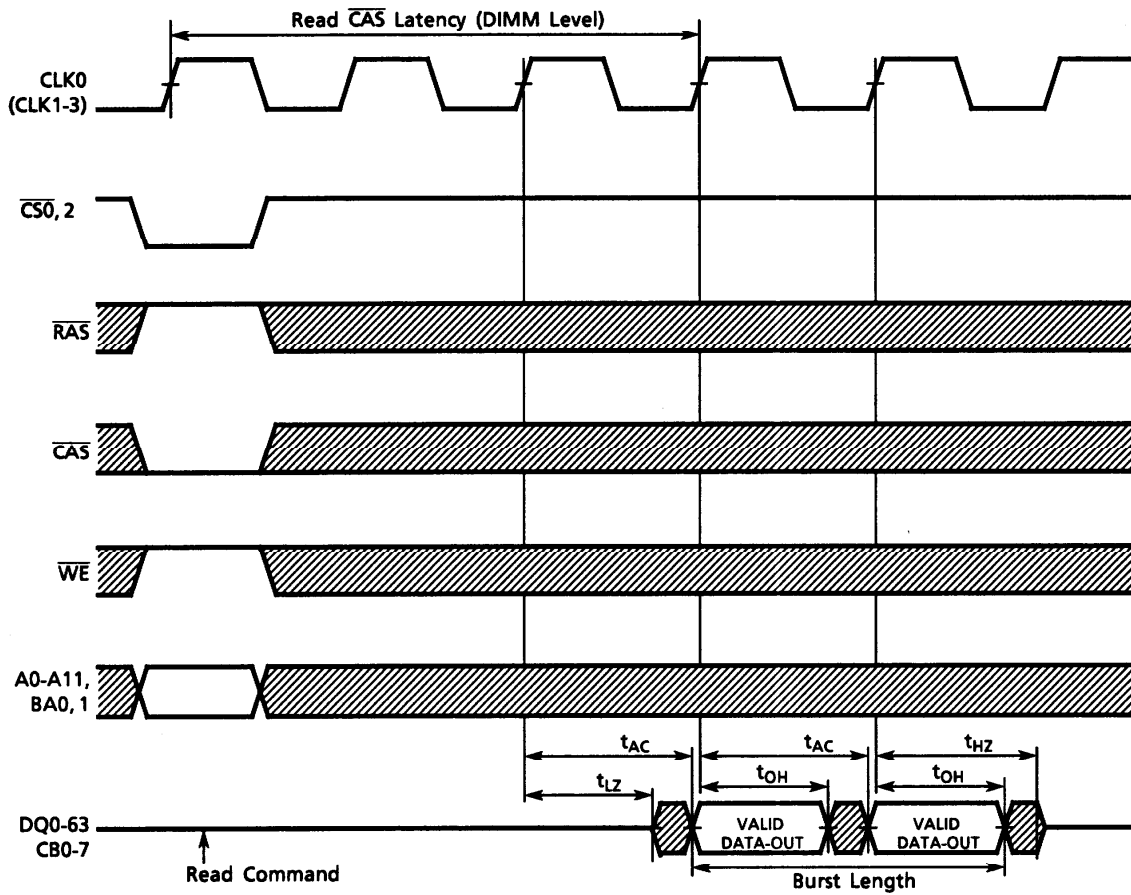
Power-up must be performed in the following sequence.

- 1) Power must be applied to V_{DD} with all input signals held in the NOP state. The CLK signal must be started at the same time as power is applied.
- 2) After power-up a pause of at least 200 μ seconds is required. Then, DQMB and CKE must be held High (at the V_{DD} level) to ensure that the DQ and CB outputs are high-impedance.
- 3) Both banks must be precharged.
- 4) The Mode Register Set command must be asserted to initialize the Mode register.
- 5) An Auto-Refresh operation must consist of at least eight Auto-Refresh cycles.

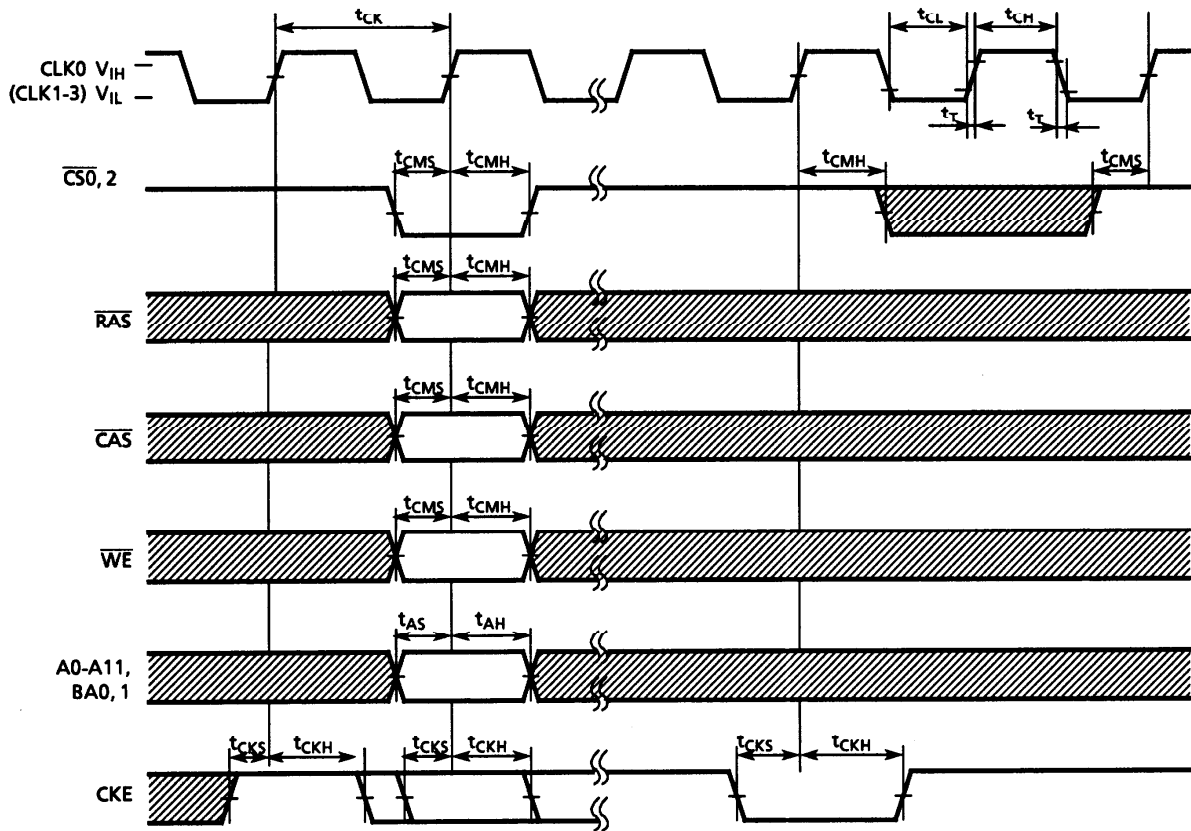
The order in which 4) and 5) are performed is interchangeable.

TIMING DIAGRAMS

Read Timing

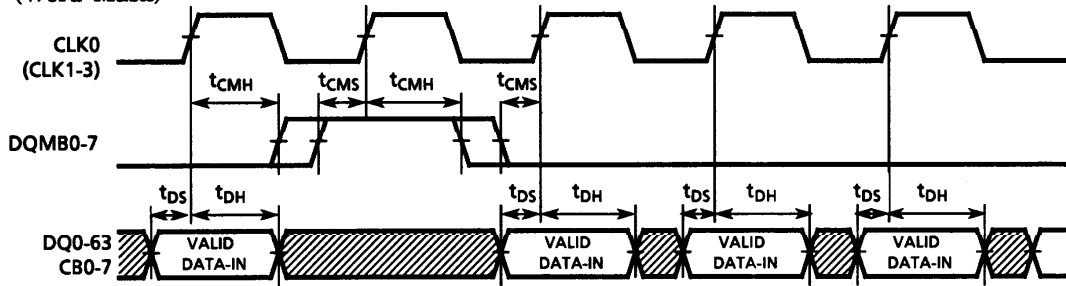


Command Input Timing

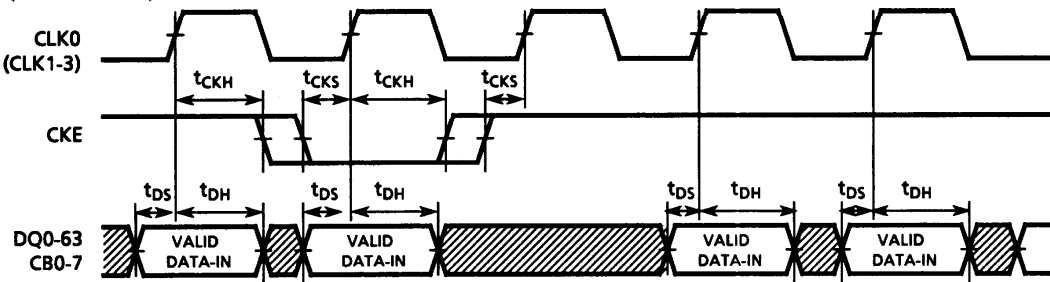


Control Timing for Input Data

(Word Mask)

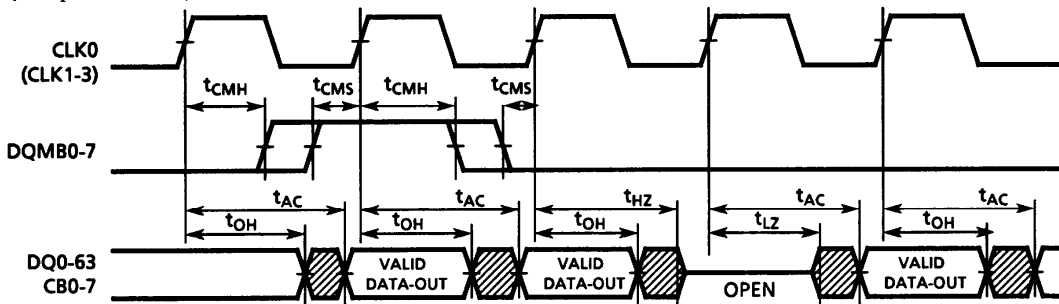


(Clock Mask)

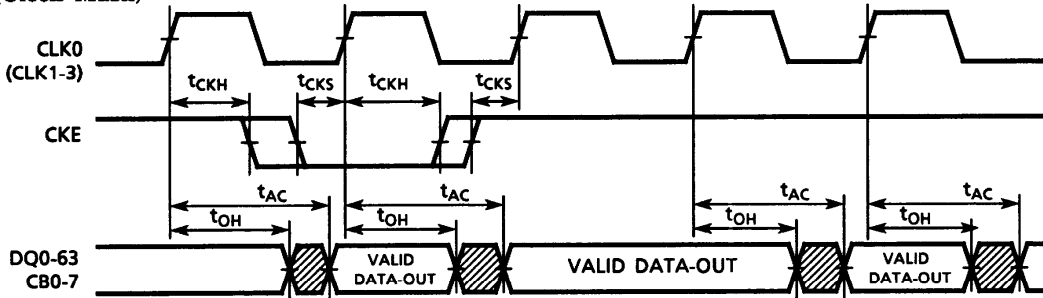


Control Timing for Output Data

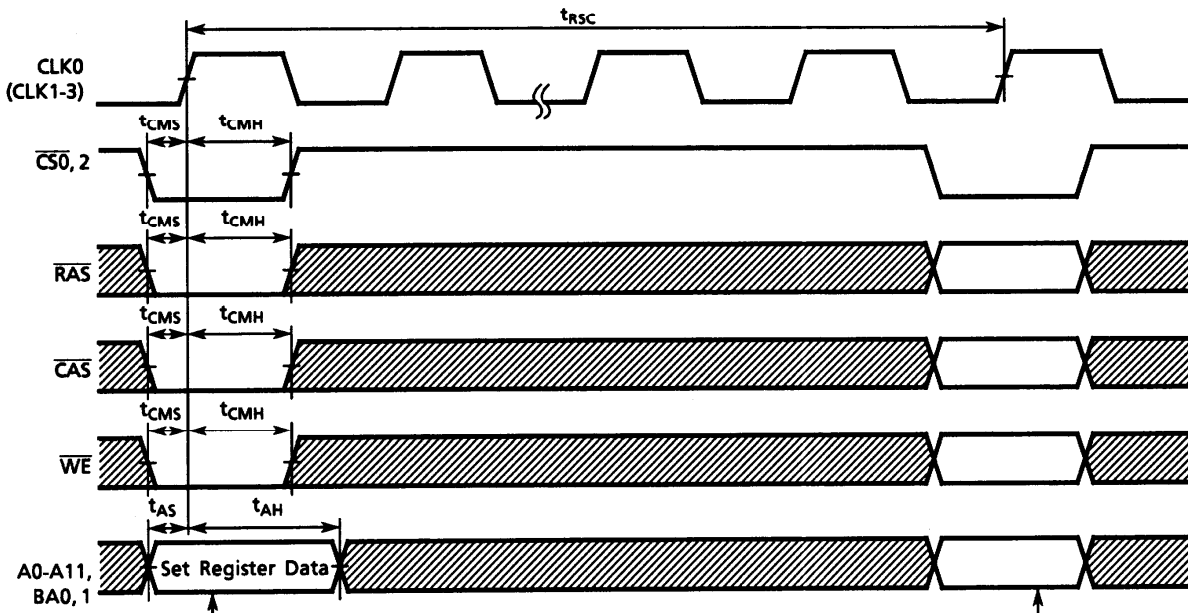
(Output Enable)



(Clock Mask)



Mode Register Set Cycle



A0	Burst Length	
A1	Burst Length	
A2	Burst Length	
A3	Addressing Mode	
A4	CAS Latency	
A5	CAS Latency	
A6	CAS Latency	
A7	0	(Test Mode)
A8	0	Reserved
A9	Write Mode	
A10	0	Reserved
A11	0	
BA0	0	
BA1	0	

			Burst Length	
A2	A1	A0	Sequential	Interleave
0	0	0	1	1
0	0	1	2	2
0	1	0	4	4
0	1	1	8	8
1	0	0	Reserved	Reserved
1	0	1		
1	1	0		
1	1	1	Full Page	

A3	Addressing Mode
0	Sequential
1	Interleave

A6	A5	A4	CAS Latency
0	0	0	Reserved
0	0	1	Reserved
0	1	0	3
0	1	1	4

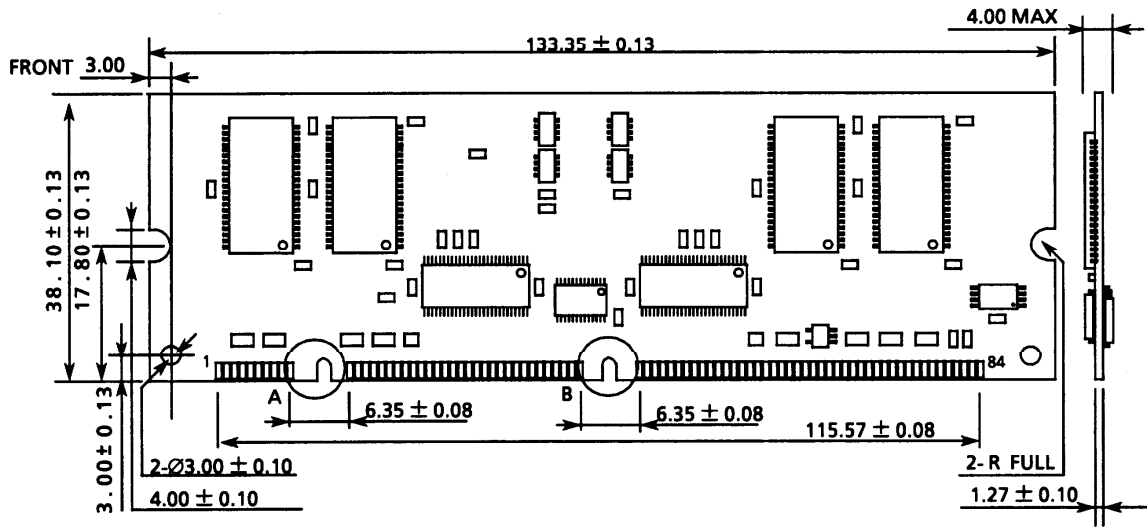
A9	Single-Write Mode
0	Burst Read and Burst Write
1	Burst Read and Single Write

Next Command

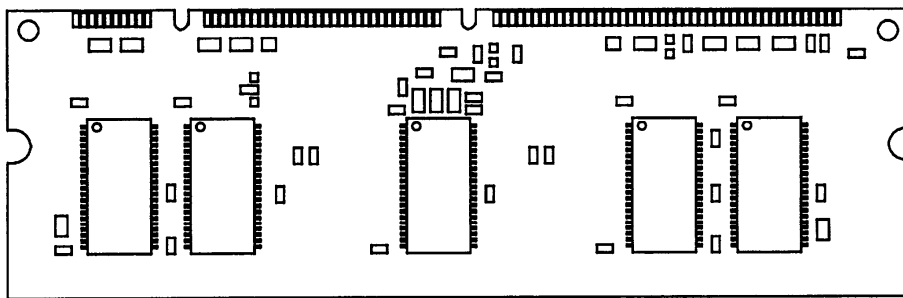
DIMM Level

PACKAGE DIMENSIONS (THMY7280D0CEG)

Unit: mm



BACK



CONTACT DIMENSIONS

A: Registered keying

B: 3.3-V keying

