

SPECIFICATIONS

Mechanical

Contact Retention Force: 1.82Kgf min.

Electrical

Voltage Rating: 250V

Current Rating: 5.0A per pin

Dielectric Withstanding Voltage: 1500V AC

Insulation Resistance: 500MW min.

Physical

Housing: Thermoplastic, UL 94V0 rating in black color

Contact: Phosphor bronze

Plating: See "ORDERING INFORMATION"

Operating Temperature: -55 to +105

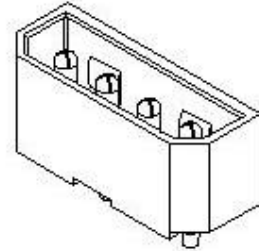
Header Connector

HM22 Series

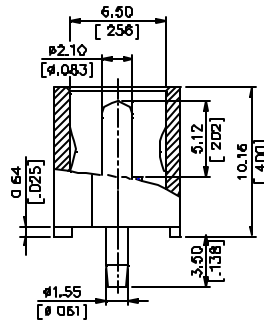
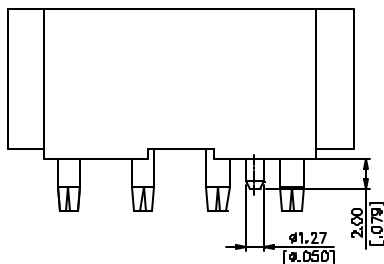
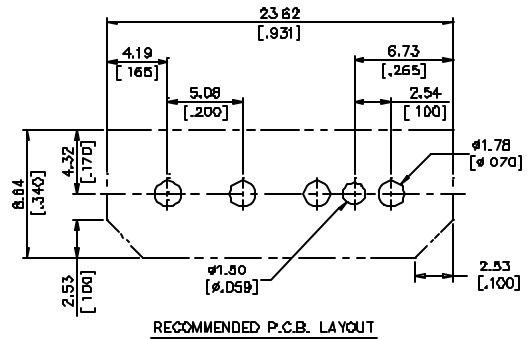
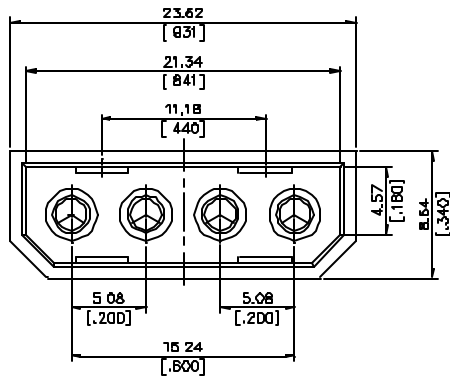
Vertical, T/H Type

Plug

5.08mm [.200"] Pitch



DRAWING



ORDERING INFORMATION

PRODUCT No. : H M 2 2 ** * - **

