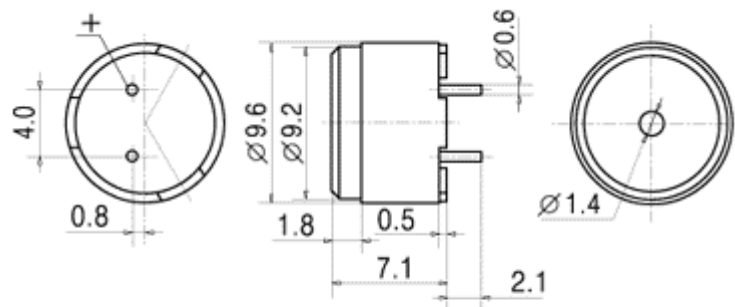


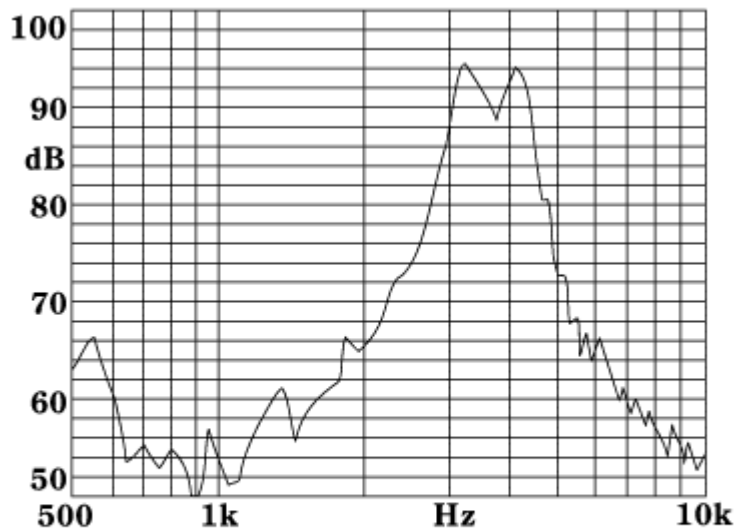


Type	BMT-09A
Rated Voltage(V)	1.5
Operating Voltage(V)	1~2
◆Rated Current(mA)	≤80
Coil Resistance(Ω)	5.5±1
◇Coil Impedance(Ω)	9.5
◆Sound Output at 10cm(dB)	>80
Resonant Frequency(Hz)	3100
Operating Temperature(°C)	-25~+55
Storage Temperature(°C)	-25~+70
Weight(g)	1

◆ Value applying rated voltage(3100Hz, 1/2 duty, square wave)  
 ◇ Value applying(3100Hz, sine wave, measuring current 60μA)



Unit:mm



Applied voltage:1.5V,1/2 duty,square wave  
 Distance for measurement:10cm