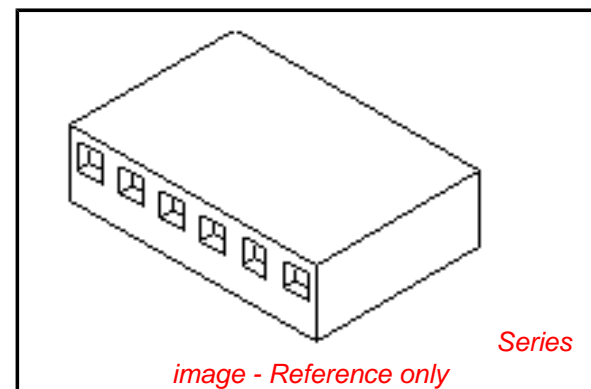


**PLEASE CHECK WWW.MOLEX.COM FOR LATEST PART INFORMATION**

**Part Number:** [0022012135](#)  
**Status:** **Active**  
**Overview:** [kk](#)  
**Description:** 2.54mm (.100") Pitch KK® Crimp Terminal Housing, Friction Ramp, 13 Circuits, Use with 4809

**Documents:**

|  |   |
|--|---|
| <a href="#">3D Model</a>                             | <a href="#">Product Specification PS-99020-0088 (PDF)</a> |
| <a href="#">Drawing (PDF)</a>                        | <a href="#">RoHS Certificate of Compliance (PDF)</a>      |
| <a href="#">Product Specification PS-10-07 (PDF)</a> |   |



**Agency Certification**

|     |         |
|-----|---------|
| CSA | LR19880 |
| UL  | E29179  |

**General**

|                |                      |
|----------------|----------------------|
| Product Family | Crimp Housings       |
| Series         | <a href="#">6471</a> |
| Overview       | <a href="#">kk</a>   |
| Product Name   | KK®                  |

**Physical**

|                               |                 |
|-------------------------------|-----------------|
| Circuits (maximum)            | 13              |
| Color - Resin                 | Natural (White) |
| Flammability                  | 94V-0           |
| Gender                        | Female          |
| Glow-Wire Compliant           | No              |
| Lock to Mating Part           | Yes             |
| Material - Resin              | Nylon           |
| Number of Rows                | 1               |
| Packaging Type                | Bag             |
| Panel Mount                   | No              |
| Pitch - Mating Interface (in) | 0.100 In        |
| Pitch - Mating Interface (mm) | 2.54 mm         |
| Polarized to Mating Part      | Yes             |
| Stackable                     | No              |
| Temperature Range - Operating | 0°C to +75°C    |

**Solder Process Data**

|                              |                        |
|------------------------------|------------------------|
| Lead-free Process Capability | Wave Capable (TH only) |
|------------------------------|------------------------|

**Material Info**

|                 |            |
|-----------------|------------|
| Old Part Number | 6471-13(I) |
|-----------------|------------|

**Reference - Drawing Numbers**

|                       |                             |
|-----------------------|-----------------------------|
| Product Specification | PS-10-07, PS-99020-0088     |
| Sales Drawing         | SD-6471-N*-*; SDE-6471-N*-* |

**EU RoHS**

**ELV and RoHS Compliant**  
**REACH SVHC**  
 Not Reviewed  
**Halogen-Free Status**  
**Not Reviewed**

**China RoHS**



**Need more information on product environmental compliance?**

Email [productcompliance@molex.com](mailto:productcompliance@molex.com)  
 For a multiple part number RoHS Certificate of Compliance, [click here](#)

Please visit the [Contact Us](#) section for any non-product compliance questions.

**Search Parts in this Series**

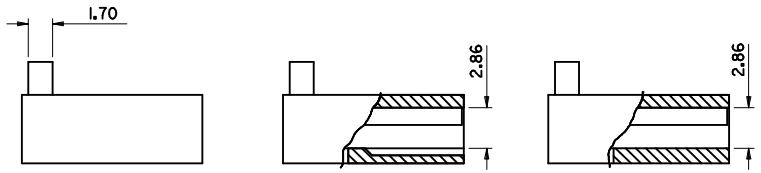
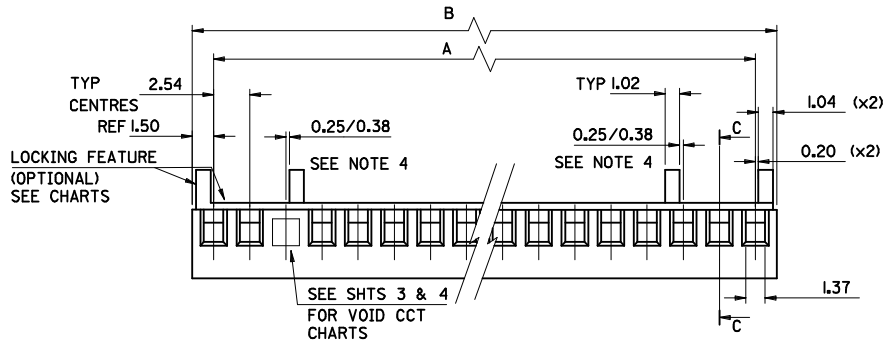
[6471Series](#)

**Mates With**

2.54mm (.100") Pitch KK ® PCB Headers

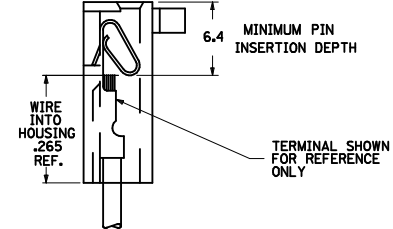
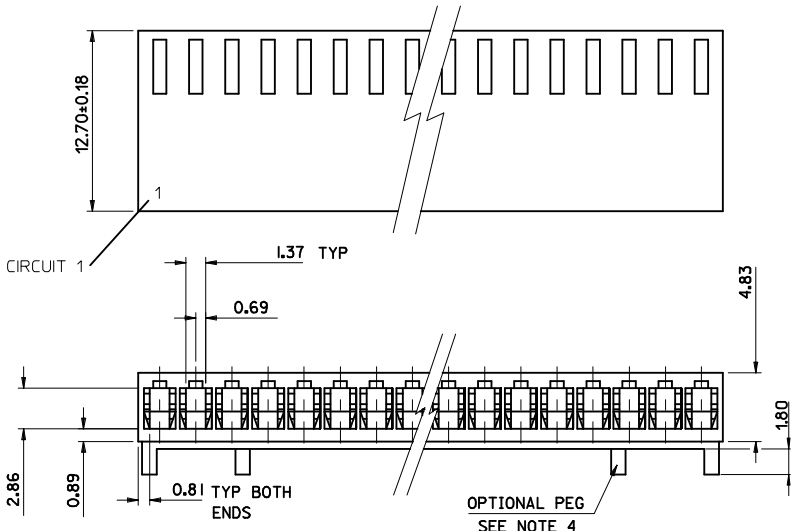
**Use With**

[4809](#) KK® Crimp Terminal



C-C  
PARTIAL SECTION

OPTIONAL STYLE VOID  
(SEE SHT. 4 FOR P/N'S)



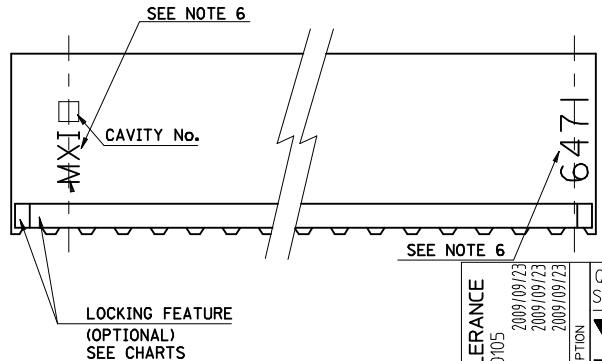
- NOTES:
1. MATERIAL: POLYAMIDE (PA66/6), UL94 V-0  
COLOR: NATURAL PER THE FOLLOWING 89992-0086
  2. FOR USE WITH ANTI-FISH HOOKING TERMINAL No. 4809-\*
  3. SEE SHT. 3 FOR PARTS WITH VOIDS.
  4. OPTIONAL CENTRE PEGS TO BE USED ON Tcct & LARGER SIZES ONLY. SEE SHT. 3 FOR CHARTED ENG. No.'S.
  5. PART No. PRECEDED BY CODE LETTER DESIGNATES MFG. LOC'N. I=IRELAND

HOUSING STYLE  
 BLANK NO LOCKING RAMP  
 I = LOCKING RAMP & POL. RIB  
 S = OPT. PEG  
 R = LOCKING RAMP ONLY

E-6471-N-\*\*\*  
 No. OF CCTS  
 BLANK = STD. VOID  
 B = OPT. STYLE VOID  
 VOID CCT LOC'N.

6. 'MX\*' MARK AND PART I.D. '6471' APPEAR EITHER ON FRONT OR BACK SIDE. SEE FRONT VIEW FOR SIDE ORIENTATION.

|             |            |            |
|-------------|------------|------------|
| 28          | 68.58±0.35 | 71.58±0.35 |
| 27          | 66.04±0.35 | 69.04±0.35 |
| 26          | 63.50±0.35 | 66.50±0.35 |
| 25          | 60.96±0.35 | 63.96±0.35 |
| 24          | 58.42±0.35 | 61.42±0.35 |
| 23          | 55.88±0.35 | 58.88±0.35 |
| 22          | 53.34±0.35 | 56.34±0.35 |
| 21          | 50.80±0.35 | 53.80±0.35 |
| 20          | 48.26±0.35 | 51.26±0.35 |
| 19          | 45.72±0.35 | 48.72±0.35 |
| 18          | 43.18±0.35 | 43.18±0.35 |
| 17          | 40.64±0.35 | 43.64±0.35 |
| 16          | 38.10±0.35 | 41.10±0.35 |
| 15          | 35.56±0.35 | 38.56±0.35 |
| 14          | 33.02±0.35 | 33.02±0.35 |
| 13          | 30.48±0.35 | 33.48±0.35 |
| 12          | 27.94±0.35 | 30.94±0.35 |
| 11          | 25.40±0.35 | 28.40±0.35 |
| 10          | 22.86±0.35 | 25.86±0.35 |
| 9           | 20.32±0.35 | 23.32±0.35 |
| 8           | 17.78±0.35 | 20.78±0.35 |
| 7           | 15.24±0.35 | 18.24±0.35 |
| 6           | 12.70±0.15 | 15.70±0.15 |
| 5           | 10.16±0.15 | 13.16±0.15 |
| 4           | 7.62±0.15  | 10.62±0.15 |
| 3           | 5.08±0.15  | 8.08±0.15  |
| 2           | 2.54±0.15  | 5.54±0.15  |
| No. OF CCTS | DIM A      | DIM B      |



ADJUST TOLERANCE  
 EC NO: E2010-0105  
 DRAWN: BMAGUIRE 2009/09/23  
 CHKD: 2009/09/23  
 APPR: BMAGUIRE 2009/09/23

QUALITY SYMBOLS  
 ▽=0  
 ▽=0  
 DRAFT WHERE APPLICABLE MUST REMAIN WITHIN DIMENSIONS

GENERAL TOLERANCES (UNLESS SPECIFIED)

|               | mm    | INCH |
|---------------|-------|------|
| 4 PLACES      | ±---  | ±--- |
| 3 PLACES      | ±---  | ±--- |
| 2 PLACES      | ±0.15 | ±--- |
| 1 PLACE       | ±0.25 | ±--- |
| ANGULAR ±---° |       |      |

DIMENSION STYLE  
 MM ONLY

SCALE  
 1:1

DESIGN UNITS  
 METRIC

THIRD ANGLE PROJECTION

TITLE  
 2.54 MM KK CRP TRM HSG IL

MATERIAL NO.  
 SEE CHART

DOCUMENT NO.  
 SD-6471-N\*-\*\*

SHEET NO.  
 1 OF 5

THIS DRAWING CONTAINS INFORMATION THAT IS PROPRIETARY TO MOLEX INCORPORATED AND SHOULD NOT BE USED WITHOUT WRITTEN PERMISSION

PART NO. SEE CHART  
 DWG. NO. SD-6471-N-...

| PART No.   | ENG No.    | No. OF CIRCUITS | RAMP & POL. RIBS | DIM. A | DIM. B |
|------------|------------|-----------------|------------------|--------|--------|
| 22-01-2025 | E-6471-021 | 2               | YES              | ↑      | ↑      |
| ↑ -2035    | ↑ -031     | 3               | ↑                |        |        |
| -2045      | -041       | 4               |                  |        |        |
| -2055      | -051       | 5               |                  |        |        |
| -2065      | -061       | 6               |                  |        |        |
| -2075      | -071       | 7               |                  |        |        |
| -2085      | -081       | 8               |                  |        |        |
| -2095      | -091       | 9               |                  |        |        |
| -2105      | -101       | 10              |                  |        |        |
| -2115      | -111       | 11              |                  |        |        |
| -2125      | -121       | 12              |                  |        |        |
| -2135      | -131       | 13              |                  |        |        |
| -2145      | -141       | 14              |                  |        |        |
| -2155      | -151       | 15              |                  |        |        |
| -2165      | -161       | 16              |                  |        |        |
| -2175      | -171       | 17              |                  |        |        |
| -2185      | -181       | 18              |                  |        |        |
| -2195      | -191       | 19              |                  |        |        |
| -2205      | -201       | 20              |                  |        |        |
| -2215      | -211       | 21              |                  |        |        |
| -2225      | -221       | 22              |                  |        |        |
| ↓ -2235    | -231       | 23              |                  |        |        |
| 22-01-2245 | -241       | 24              |                  |        |        |
| NOT TOOLED | -251       | 25              |                  |        |        |
| 22-01-2265 | -261       | 26              |                  |        |        |
| NOT TOOLED | ↓ -271     | 27              |                  |        |        |
| 22-01-2285 | E-6471-281 | 28              | YES              | ↓      | ↓      |

SEE SHEET I FOR DIMENSION  
 SEE SHEET I FOR DIMENSION

| PART No.   | ENG No.   | No. OF CIRCUITS | LOCKING FEATURE | DIM. A | DIM. B |
|------------|-----------|-----------------|-----------------|--------|--------|
| 22-01-2026 | E-6471-2  | 2               | NO              | ↑      | ↑      |
| ↑ -2036    | ↑ -3      | 3               | ↑               |        |        |
| -2046      | -4        | 4               |                 |        |        |
| -2056      | -5        | 5               |                 |        |        |
| -2066      | -6        | 6               |                 |        |        |
| -2076      | -7        | 7               |                 |        |        |
| -2086      | -8        | 8               |                 |        |        |
| -2096      | -9        | 9               |                 |        |        |
| -2106      | -10       | 10              |                 |        |        |
| -2116      | -11       | 11              |                 |        |        |
| -2126      | -12       | 12              |                 |        |        |
| -2136      | -13       | 13              |                 |        |        |
| -2146      | -14       | 14              |                 |        |        |
| -2156      | -15       | 15              |                 |        |        |
| -2166      | -16       | 16              |                 |        |        |
| -2176      | -17       | 17              |                 |        |        |
| -2186      | -18       | 18              |                 |        |        |
| -2196      | -19       | 19              |                 |        |        |
| -2206      | -20       | 20              |                 |        |        |
| ↓ -2216    | -21       | 21              |                 |        |        |
| 22-01-2226 | -22       | 22              |                 |        |        |
| NOT TOOLED | -23       | 23              |                 |        |        |
| 22-01-2246 | -24       | 24              |                 |        |        |
| NOT TOOLED | -25       | 25              |                 |        |        |
| 22-01-2266 | -26       | 26              |                 |        |        |
| 22-01-2276 | ↓ -27     | 27              |                 |        |        |
| 22-01-2286 | E-6471-28 | 28              | NO              | ↓      | ↓      |

SEE SHEET I FOR DIMENSION  
 SEE SHEET I FOR DIMENSION

A SEE SHEET I.

**REVISIONS**

DIMENSIONS SHOWN ( METRIC ) INCH  
 UNLESS OTHERWISE SPECIFIED  
 TOLERANCES: ANGULAR ± 1/2°

|             |   |
|-------------|---|
| 3 PLACE ± . |   |
| 2 PLACE ± . | ± |
| 1 PLACE ± . | ± |

DRAFT WHERE APPLICABLE MUST REMAIN WITHIN DIMENSIONS

DESIGN DIMENSION  (MM)  IN.  
 (PRIMARY)

EQUIVALENT DIMENSION  (MM)  IN.  
 (SECONDARY)

DRWG BY: SF

CHK'D BY:

APP'D BY:

SCALE: -

**REVISE ONLY ON CAD SYSTEM** SHL REV.

CAD/CAM FILENAME: SD-6471-N-.502

THIS DRAWING CONTAINS INFORMATION THAT IS PROPRIETARY TO MOLEX INC. & SHOULD NOT BE USED WITHOUT WRITTEN PERMISSION

TITLE: 2.54 mm KK Crp Trm Hsg II

**MOLEX EUROPE** SHEET NO. DATE: 20F 15/07/00

PART NO. SEE CHART DWG NO. SD-6471-N-... SIZE B

PART NO. SEE CHART  
 DWG. NO. SD-6471-N-...

| PART No.   | ENG No.       | No. OF CIRCUITS | RAMP & POL. RIBS | VOID CCT LOCATION | DIM. A | DIM. B |
|------------|---------------|-----------------|------------------|-------------------|--------|--------|
| 22-01-4022 | E-6471-021-02 | 2               | YES              | 2                 | ↑      | ↑      |
| ↑ -4032    | ↑ -031-02     | 3               | ↑                | ↑                 | ↑      | ↑      |
| -4042      | -041-02       | 4               |                  |                   |        |        |
| -4052      | -051-02       | 5               |                  |                   |        |        |
| -4062      | -061-02       | 6               |                  |                   |        |        |
| -4072      | -071-02       | 7               |                  |                   |        |        |
| -4082      | -081-02       | 8               |                  |                   |        |        |
| -4092      | -091-02       | 9               |                  |                   |        |        |
| -4102      | -101-02       | 10              |                  |                   |        |        |
| -4112      | -111-02       | 11              |                  |                   |        |        |
| -4122      | -121-02       | 12              |                  |                   |        |        |
| -4132      | -131-02       | 13              |                  |                   |        |        |
| -4142      | -141-02       | 14              |                  |                   |        |        |
| -4152      | -151-02       | 15              |                  |                   |        |        |
| -4162      | -161-02       | 16              |                  |                   |        |        |
| -4172      | -171-02       | 17              |                  |                   |        |        |
| -4182      | -181-02       | 18              |                  |                   |        |        |
| -4192      | -191-02       | 19              |                  |                   |        |        |
| -4202      | -201-02       | 20              |                  |                   |        |        |
| -4212      | -211-02       | 21              |                  |                   |        |        |
| -4222      | -221-02       | 22              |                  |                   |        |        |
| -4232      | -231-02       | 23              |                  |                   |        |        |
| -4242      | -241-02       | 24              |                  |                   |        |        |
| -4252      | -251-02       | 25              |                  |                   |        |        |
| -4262      | -261-02       | 26              |                  |                   |        |        |
| -4272      | -271-02       | 27              |                  |                   |        |        |
| 22-01-4282 | E-6471-281-02 | 28              | YES              | 2                 | ↓      | ↓      |

SEE SHEET I FOR DIMENSION

SEE SHEET I FOR DIMENSION

| PART No.   | ENG No.      | No. OF CIRCUITS | LOCKING FEATURE | VOID CCT LOCATION | DIM. A | DIM. B |
|------------|--------------|-----------------|-----------------|-------------------|--------|--------|
| 22-01-4021 | E-6471-02-02 | 2               | NO              | 2                 | ↑      | ↑      |
| ↑ -4031    | ↑ -03-02     | 3               | ↑               | ↑                 | ↑      | ↑      |
| -4041      | -04-02       | 4               |                 |                   |        |        |
| -4051      | -05-02       | 5               |                 |                   |        |        |
| -4061      | -06-02       | 6               |                 |                   |        |        |
| -4071      | -07-02       | 7               |                 |                   |        |        |
| -4081      | -08-02       | 8               |                 |                   |        |        |
| -4091      | -09-02       | 9               |                 |                   |        |        |
| -4101      | -10-02       | 10              |                 |                   |        |        |
| -4111      | -11-02       | 11              |                 |                   |        |        |
| -4121      | -12-02       | 12              |                 |                   |        |        |
| -4131      | -13-02       | 13              |                 |                   |        |        |
| -4141      | -14-02       | 14              |                 |                   |        |        |
| -4151      | -15-02       | 15              |                 |                   |        |        |
| -4161      | -16-02       | 16              |                 |                   |        |        |
| -4171      | -17-02       | 17              |                 |                   |        |        |
| -4181      | -18-02       | 18              |                 |                   |        |        |
| -4191      | -19-02       | 19              |                 |                   |        |        |
| -4201      | -20-02       | 20              |                 |                   |        |        |
| -4211      | -21-02       | 21              |                 |                   |        |        |
| -4221      | -22-02       | 22              |                 |                   |        |        |
| -4231      | -23-02       | 23              |                 |                   |        |        |
| -4241      | -24-02       | 24              |                 |                   |        |        |
| -4251      | -25-02       | 25              |                 |                   |        |        |
| -4261      | -26-02       | 26              |                 |                   |        |        |
| ↓ -4271    | ↓ -27-02     | 27              |                 |                   |        |        |
| 22-01-4281 | E-6471-28-02 | 28              | NO              | 2                 | ↓      | ↓      |

SEE SHEET I FOR DIMENSION

SEE SHEET I FOR DIMENSION

|   |                                     |   |
|---|-------------------------------------|---|
| <b>REVISE ONLY ON CAD SYSTEM</b>          |                                     | SH. REV.  |
| CAD/CAM FILENAME<br>SD-6471-N - .503      |                                     | THIS DRAWING CONTAINS INFORMATION THAT IS PROPRIETARY TO MOLEX INC. & SHOULD NOT BE USED WITHOUT WRITTEN PERMISSION |
| TITLE<br><b>2.54 mm KK Crp Trm Hsg II</b> |                                     |   |
| <b>MOLEX EUROPE</b>                       |                                     | SHEET NO. DATE<br><b>30F 13/07/00</b>   |
| PART NO.<br><b>SEE CHART</b>              | DWG. NO.<br><b>SD-6471-N-...-..</b> | SIZE<br><b>B</b>  |

|              |     |  |                                    |
|--------------|-----|--|------------------------------------|
| SEE SHEET I. | LTR | DIMENSIONS SHOWN ( METRIC ) INCH<br>UNLESS OTHERWISE SPECIFIED<br>TOLERANCES: ANGULAR ± 1/2°   | DRWG BY<br><b>SF</b>               |
|              |     | INCH ( METRIC )<br>3 PLACE ± .<br>2 PLACE ± .<br>1 PLACE ±   | CHK'D BY<br>APP'D BY<br>SCALE<br>- |
|              |     | DRAFT WHERE APPLICABLE MUST REMAIN WITHIN DIMENSIONS   |                                    |
|              |     | DESIGN DIMENSION <input type="checkbox"/> (MM)<br>(PRIMARY) <input type="checkbox"/> IN.<br>EQUIVALENT DIMENSION <input type="checkbox"/> (MM)<br>(SECONDARY) <input type="checkbox"/> IN. |                                    |

PART NO. SEE CHART  
 DWG. NO. SD-6471-N

HOUSING WITH OPTIONAL PEGS

| PART No.   | ENG No.    | No. OF CIRCUITS | RAMP & POL. RIBS | DIM. A                      | DIM. B                      |
|------------|------------|-----------------|------------------|-----------------------------|-----------------------------|
| NOT TOOLED | E-6471-7S  | 7               | YES              | ↑                           | ↑                           |
| ↑          | ↑ -8S      | 8               | ↑                | ↑ SEE SHEET I FOR DIMENSION | ↑ SEE SHEET I FOR DIMENSION |
|            | -9S        | 9               |                  |                             |                             |
|            | -10S       | 10              |                  |                             |                             |
|            | -11S       | 11              |                  |                             |                             |
|            | -12S       | 12              |                  |                             |                             |
|            | -13S       | 13              |                  |                             |                             |
|            | -14S       | 14              |                  |                             |                             |
|            | -15S       | 15              |                  |                             |                             |
|            | -16S       | 16              |                  |                             |                             |
|            | -17S       | 17              |                  |                             |                             |
|            | -18S       | 18              |                  |                             |                             |
|            | -19S       | 19              |                  |                             |                             |
|            | -20S       | 20              |                  |                             |                             |
|            | -21S       | 21              |                  |                             |                             |
|            | -22S       | 22              |                  |                             |                             |
|            | -23S       | 23              |                  |                             |                             |
|            | -24S       | 24              |                  |                             |                             |
|            | -25S       | 25              |                  |                             |                             |
|            | -26S       | 26              |                  |                             |                             |
|            | ↓ -27S     | 27              | ↓                |                             |                             |
| NOT TOOLED | E-6471-28S | 28              | YES              | ↓                           | ↓                           |

| PART No.   | ENG No.      | No. OF CIRCUITS | RAMP & POL. RIBS | VOID CCT LOCATION | DIM. A                      | DIM. B                      |   |   |
|------------|--------------|-----------------|------------------|-------------------|-----------------------------|-----------------------------|---|---|
| 22-01-4123 | E-6471-12-11 | 12              | NO               | 11                | ↑                           | ↑                           |   |   |
| 22-01-4124 | ↑ -121-11    | 12              | YES              | 11                | ↑ SEE SHEET I FOR DIMENSION | ↑ SEE SHEET I FOR DIMENSION |   |   |
| NOT TOOLED | -24-01       | 24              | NO               | 1                 |                             |                             |   |   |
| NOT TOOLED | -241-01      | 24              | YES              | 1                 |                             |                             |   |   |
| 22-01-6132 | -13-51       | 13              | NO               | 2 & 5             |                             |                             |   |   |
| NOT TOOLED | -131-51      | 13              | YES              | 2 & 5             |                             |                             |   |   |
| 22-01-6134 | -13-52       | 13              | NO               | 9 & 12            |                             |                             |   |   |
| 22-01-6135 | -131-52      | 13              | YES              | 9 & 12            |                             |                             |   |   |
| NOT TOOLED | -7-3         | 7               | NO               | 3                 |                             |                             |   |   |
| 97-00-0739 | -71-3        | 7               | YES              | 3                 |                             |                             |   |   |
| 97-00-0061 | -15-51       | 15              | NO               | 2 & 8             |                             |                             |   |   |
| NOT TOOLED | -151-51      | 15              | YES              | 2 & 8             |                             |                             |   |   |
| 97-00-0189 | -5-4         | 5               | NO               | 4                 |                             |                             |   |   |
| 97-00-0620 | -51-4        | 5               | YES              | 4                 |                             |                             |   |   |
| 97-00-0619 | ↓ -51-3      | 5               | YES              | 3                 |                             |                             |   |   |
| 97-00-0740 | E-6471-61-3  | 6               | YES              | 3                 |                             |                             | ↓ | ↓ |

|                |               |  |                      |   |  |                                       |
|----------------|---------------|--|----------------------|---|--|---------------------------------------|
| A SEE SHEET I. | LTR REVISIONS | DIMENSIONS SHOWN ( METRIC ) INCH<br>UNLESS OTHERWISE SPECIFIED<br>TOLERANCES: ANGULAR ± 1/2°   | DRWG BY<br><b>SF</b> | REVISE ONLY ON CAD SYSTEM   |  | SHL. REV.                             |
|                |               | INCH ( METRIC )  | CHK'D BY             | CAD/CAM FILENAME<br>SD-6471-N - .504  |  |                                       |
|                |               | 3 PLACE ± .<br>2 PLACE ± .<br>1 PLACE ±  | APP'D BY             | THIS DRAWING CONTAINS INFORMATION THAT IS PROPRIETARY TO MOLEX INC. & SHOULD NOT BE USED WITHOUT WRITTEN PERMISSION |  |                                       |
|                |               | DRAFT WHERE APPLICABLE MUST REMAIN WITHIN DIMENSIONS   | SCALE                | TITLE<br><b>2.54 mm KK Crp Trm Hsg II</b>   |  |                                       |
|                |               | DESIGN DIMENSION <input type="checkbox"/> (MM)<br>(PRIMARY) <input type="checkbox"/> IN.       |                      | MOLEX EUROPE  |  | SHEET NO. DATE<br><b>40F 17/07/00</b> |
|                |               | EQUIVALENT DIMENSION <input type="checkbox"/> (MM)<br>(SECONDARY) <input type="checkbox"/> IN. |                      | PART NO. SEE CHART  |  | DWG NO. SD-6471-N-... SIZE B          |

OPTIONAL STYLE VOID (SECTION E-E)

| PART No.   | ENG No.          | No. OF CIRCUITS | VOID CCT LOCATION | RAMP & POL. RIBS | DIM. A               | DIM. B               |
|------------|------------------|-----------------|-------------------|------------------|----------------------|----------------------|
| 22-01-602I | E-6471-02-02B    | 2               | 2                 | NO               | ↑                    | ↑                    |
| NOT TOOLED | ↑ -02I-02B       | 2               | ↑                 | YES              | ↑ DIM                | ↑ DIM                |
| 22-01-607I | -07-02B          | 7               |                   | NO               |                      |                      |
| NOT TOOLED | ↑ -07I-02B       | 7               |                   | YES              |                      |                      |
| 22-01-610I | -10-02B          | 10              |                   | NO               |                      |                      |
| NOT TOOLED | ↑ -10I-02B       | 10              |                   | YES              |                      |                      |
| 22-01-611I | -11-02B          | 11              |                   | NO               |                      |                      |
| NOT TOOLED | ↓ E-6471-11I-02B | 11              | ↓ 2               | YES              | ↓ SEE SHT. I FOR DIM | ↓ SEE SHT. I FOR DIM |

| PART No.   | ENG No.      | No. OF CIRCUITS | RAMP ONLY | DIM. A | DIM. B |
|------------|--------------|-----------------|-----------|--------|--------|
| 97-00-1062 | E-6471-2R    | 2               | YES       | ↑      | ↑      |
| ↑ -1063    | ↑ -3R        | 3               | ↑         |        |        |
| -1064      | -4R          | 4               |           |        |        |
| -1065      | -5R          | 5               |           |        |        |
| -1066      | -6R          | 6               |           |        |        |
| -1067      | -7R          | 7               |           |        |        |
| -1068      | -8R          | 8               |           |        |        |
| -1069      | -9R          | 9               |           |        |        |
| -1070      | -10R         | 10              |           |        |        |
| -1071      | -11R         | 11              |           |        |        |
| -1072      | -12R         | 12              |           |        |        |
| -1073      | -13R         | 13              |           |        |        |
| -1074      | -14R         | 14              |           |        |        |
| -1075      | -15R         | 15              |           |        |        |
| ↓ -1076    | -16R         | 16              |           |        |        |
| 97-00-1077 | -17R         | 17              |           |        |        |
| NOT TOOLED | -18R         | 18              |           |        |        |
| ↑          | -19R         | 19              |           |        |        |
|            | -20R         | 20              |           |        |        |
|            | -21R         | 21              |           |        |        |
|            | -22R         | 22              |           |        |        |
|            | -23R         | 23              |           |        |        |
|            | -24R         | 24              |           |        |        |
|            | -25R         | 25              |           |        |        |
|            | -26R         | 26              |           |        |        |
|            | ↓ -27R       | 27              |           |        |        |
| NOT TOOLED | ↓ E-6471-28R | 28              | YES       | ↓      | ↓      |

PART NO. SEE CHART  
 DRG. NO. SD-6471-N-...

SEE SHEET I.

|     |           |  |                      |
|-----|-----------|--|----------------------|
| LTR | REVISIONS | DIMENSIONS SHOWN ( METRIC ) INCH<br>UNLESS OTHERWISE SPECIFIED<br>TOLERANCES: ANGULAR ± 1/2°   | DRWG BY<br><b>SF</b> |
|     |           | INCH ( METRIC )  | CHK'D BY             |
|     |           | 3 PLACE ± .  | APP'D BY             |
|     |           | 2 PLACE ± .  | SCALE                |
|     | 1 PLACE ± | DRAFT WHERE APPLICABLE MUST<br>REMAIN WITHIN DIMENSIONS  |                      |
|     |           | DESIGN DIMENSION <input type="checkbox"/> (MM)<br>(PRIMARY) <input type="checkbox"/> IN.       |                      |
|     |           | EQUIVALENT DIMENSION <input type="checkbox"/> (MM)<br>(SECONDARY) <input type="checkbox"/> IN. |                      |

|   |  |                                       |
|---|--|---------------------------------------|
| REVISE ONLY ON CAD SYSTEM                 |  | SHL. REV.                             |
| CAD/CAM FILENAME<br>SD-6471-N - .505      | THIS DRAWING CONTAINS INFORMATION THAT IS PROPRIETARY TO<br>MOLEX INC. & SHOULD NOT BE USED WITHOUT WRITTEN PERMISSION |                                       |
| TITLE<br><b>2.54 mm KK Cpr Trm Hsg II</b> |  |                                       |
| <b>MOLEX EUROPE</b>                       |  | SHEET NO. DATE<br><b>50F 17/07/00</b> |
| PART NO.<br><b>SEE CHART</b>              | DWG NO.<br><b>SD-6471-N-...</b>  | SIZE<br><b>B</b>                      |

E

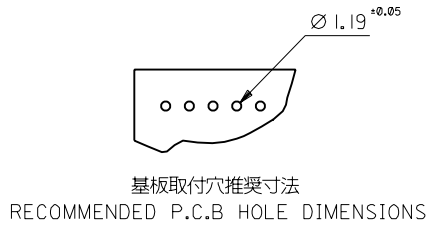
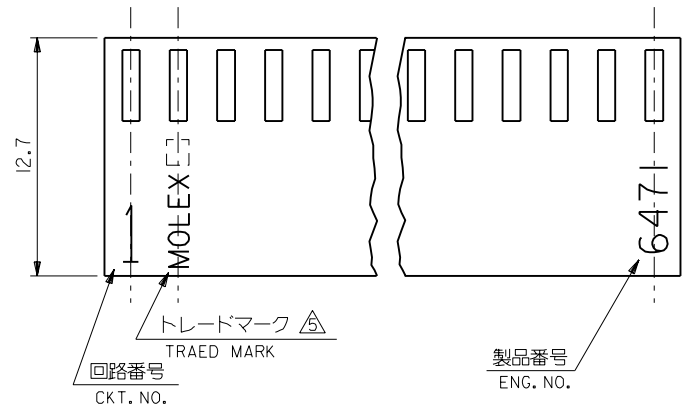
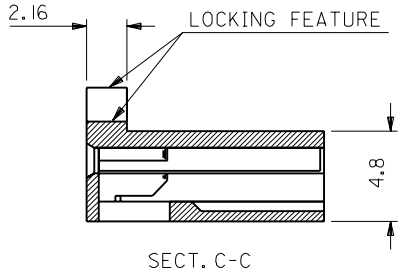
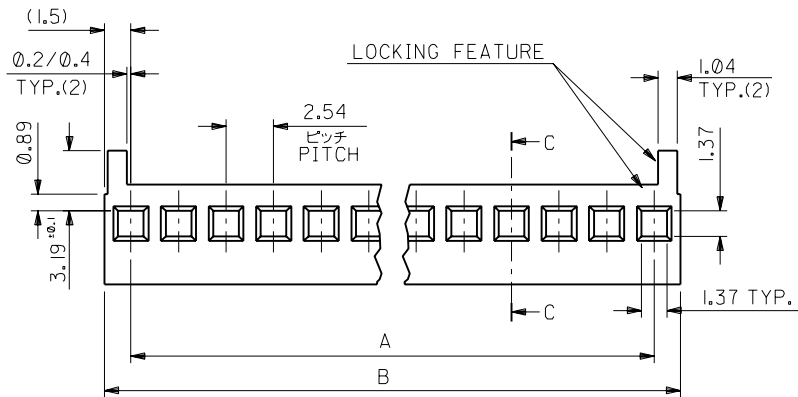
D

C

B

A

MM DIMENSIONS IN METRIC DO NOT SCALE DRAWING



|                        |                        |            |                 |
|------------------------|------------------------|------------|-----------------|
| 68.58 <sup>+0.33</sup> | 71.58 <sup>+0.46</sup> | E-6471-281 | 28              |
| 66.04 <sup>+0.33</sup> | 69.04 <sup>+0.46</sup> | -271       | 27              |
| 63.50 <sup>+0.33</sup> | 66.50 <sup>+0.46</sup> | -261       | 26              |
| 60.96 <sup>+0.33</sup> | 63.96 <sup>+0.43</sup> | -251       | 25              |
| 58.42 <sup>+0.31</sup> | 61.42 <sup>+0.43</sup> | -241       | 24              |
| 55.88 <sup>+0.31</sup> | 58.88 <sup>+0.43</sup> | -231       | 23              |
| 53.34 <sup>+0.30</sup> | 56.34 <sup>+0.41</sup> | -221       | 22              |
| 50.80 <sup>+0.30</sup> | 53.80 <sup>+0.41</sup> | -211       | 21              |
| 48.26 <sup>+0.25</sup> | 51.26 <sup>+0.36</sup> | -201       | 20              |
| 45.72 <sup>+0.23</sup> | 48.72 <sup>+0.33</sup> | -191       | 19              |
| 43.18 <sup>+0.23</sup> | 46.18 <sup>+0.33</sup> | -181       | 18              |
| 40.64 <sup>+0.20</sup> | 43.64 <sup>+0.30</sup> | -171       | 17              |
| 38.10 <sup>+0.20</sup> | 41.10 <sup>+0.30</sup> | -161       | 16              |
| 35.56 <sup>+0.20</sup> | 38.56 <sup>+0.30</sup> | -151       | 15              |
| 33.02 <sup>+0.18</sup> | 36.42 <sup>+0.28</sup> | -141       | 14              |
| 30.48 <sup>+0.18</sup> | 33.48 <sup>+0.28</sup> | -131       | 13              |
| 27.94 <sup>+0.18</sup> | 30.94 <sup>+0.28</sup> | -121       | 12              |
| 25.40 <sup>+0.15</sup> | 28.40 <sup>+0.25</sup> | -111       | 11              |
| 22.86 <sup>+0.15</sup> | 25.86 <sup>+0.25</sup> | -101       | 10              |
| 20.32 <sup>+0.13</sup> | 23.32 <sup>+0.23</sup> | -091       | 9               |
| 17.78 <sup>+0.13</sup> | 20.78 <sup>+0.23</sup> | -081       | 8               |
| 15.24 <sup>+0.13</sup> | 18.24 <sup>+0.23</sup> | -071       | 7               |
| 12.70 <sup>+0.10</sup> | 15.70 <sup>+0.23</sup> | -061       | 6               |
| 10.16 <sup>+0.10</sup> | 13.16 <sup>+0.20</sup> | -051       | 5               |
| 7.62 <sup>+0.10</sup>  | 10.62 <sup>+0.20</sup> | -041       | 4               |
| 5.08 <sup>+0.10</sup>  | 8.07 <sup>+0.20</sup>  | -031       | 3               |
| 2.54 <sup>+0.10</sup>  | 5.53 <sup>+0.20</sup>  | E-6471-021 | 2               |
| A                      | B                      | ENG. NO.   | 通数 NO. OF CKTS. |

F

E

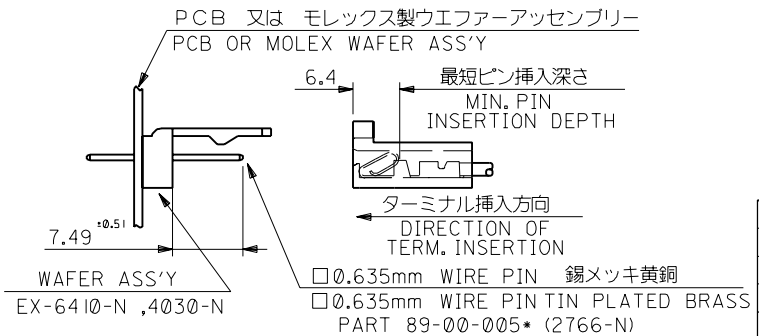
D

C

B

A

6471.501



|                         |                      |
|-------------------------|----------------------|
| 角度 ANGLE                | ±3°                  |
| 30°以上 OVER              | +0.3                 |
| 10°以上 30°未満 UNDER       | +0.25                |
| 10°未満 UNDER             | +0.2                 |
| 一般公差 GENERAL TOLERANCES |                      |
| 記号 LTR                  | 変更内容 REVISION RECORD |
| DR. CHK.                | 日付 DATE              |
| Y.K.                    | Y.M                  |
| 97/09/18                | 97/09/19             |
| 新規作成 RELEASED (JC80224) | CHK'D BY '97/09/19   |
|                         | Y.KANNO              |
|                         | Y.MIZUNO             |
|                         | APP'D BY '97/09/19   |
|                         | M.FUKUSHIMA          |
|                         | 尺度 SCALE             |
|                         | —                    |

|                    |                                       |
|--------------------|---------------------------------------|
| 材料 MATERIAL        | ナイロン6/6, UL94V-0<br>NYLON6/6, UL94V-0 |
| 仕上げ FINISH         | —                                     |
| 適用電線範囲 WIRE RANGE  | —                                     |
| 被覆外径 INS. RANGE    | —                                     |
| DRAWN BY '97/09/18 | CHK'D BY '97/09/19                    |
| Y.KANNO            | Y.MIZUNO                              |
| APP'D BY '97/09/19 | 尺度 SCALE                              |
| M.FUKUSHIMA        | —                                     |

|   |              |
|---|--------------|
| MOLEX-JAPAN CO.,LTD.<br>日本モレックス株式会社   |              |
| REVISE ONLY ON CAD SYSTEM   |              |
| TITLE 名称<br>HOUSING ,KK (2.54)/.100<br>CRIMP TYPE ,ANTI<br>FISH-HOOKING TERMINAL<br>WITH LOCKING RAMP |              |
| DWG. NO.  | SHEET 1 OF 2 |
| SDE-6471-N*-*   | REV V        |

E

D

MM DIMENSIONS IN METRIC DO NOT SCALE DRAWING

B

A

|                    |            |                    |                           |                  |    |
|--------------------|------------|--------------------|---------------------------|------------------|----|
| 22-01 -2285        | E-6471-281 | 28                 | ○                         | ↑                | ↑  |
| 設備無し<br>NOT TOOLED | ↑ -271     | 27                 | ↑                         |                  |    |
| 22-01 -2265        | -261       | 26                 |                           |                  |    |
| 設備無し<br>NOT TOOLED | -251       | 25                 |                           |                  |    |
| 22-01 -2245        | -241       | 24                 |                           |                  |    |
| ↑ -2235            | -231       | 23                 |                           |                  |    |
| -2225              | -221       | 22                 |                           |                  |    |
| -2215              | -211       | 21                 |                           |                  |    |
| -2205              | -201       | 20                 |                           | 図面 1 OF 2 参照     | 参照 |
| -2195              | -191       | 19                 |                           | SEE SHEET 1 OF 2 | 参照 |
| -2185              | -181       | 18                 |                           |                  |    |
| -2175              | -171       | 17                 |                           | 図面 1 OF 2 参照     | 参照 |
| -2165              | -161       | 16                 |                           |                  |    |
| -2155              | -151       | 15                 |                           | 図面 1 OF 2 参照     | 参照 |
| -2145              | -141       | 14                 |                           |                  |    |
| -2135              | -131       | 13                 |                           |                  |    |
| -2125              | -121       | 12                 |                           |                  |    |
| -2115              | -111       | 11                 |                           |                  |    |
| -2105              | -101       | 10                 |                           |                  |    |
| -2095              | -091       | 9                  |                           |                  |    |
| -2085              | -081       | 8                  |                           |                  |    |
| -2075              | -071       | 7                  |                           |                  |    |
| -2065              | -061       | 6                  |                           |                  |    |
| -2055              | -051       | 5                  |                           |                  |    |
| -2045              | -041       | 4                  |                           |                  |    |
| ↓ -2035            | ↓ -031     | 3                  | ○                         | ↓                | ↓  |
| 22-01 -2025        | E-6471-021 | 2                  | ○                         |                  |    |
| PART NO.           | ENG. NO.   | 種数<br>NO. OF CKTS. | 補強部<br>RAMP &<br>POL.RIBS | A                | B  |

注記  
NOTES

- 適合ターミナル 4809-\* (22-30 GA)  
クリンプ部 被覆外径  $\phi 1.58\text{mm}$ 以下  
FOR USE TERMINAL 4809-\* (22-30 GA)  
CRIMP TYPE ,MAX. INSULATION  $\phi 1.58\text{mm}$
- ハウジングの端と端を合わせて積み重ねることができる。  
TWO(2) HOUSINGS MAY BE STACKED END TO END.
- ( ) 内寸法は参考寸法  
( ) DIMENSION IS FOR REFERENCE.
- 本製品は仕様書NO. 10-07に基づく。  
THIS PART CONFORMS TO MOLEX PRODUCT SPEC. NO.10-07
- △トレードマーク：MOLEX プラス1文字の製造国を示すアルファベットにて構成。  
(例：I =アイルランド)  
TRADE MARK FORMED BY MOLEX AND I MORE LETTER OF ALPHABET  
WHICH MEAN THE MANUFACTURING COUNTRY. (c.g. I=IRELAND)
- 19から28極は標準品ではありません。  
19-28 CIRCUITS ARE NON-STANDARD.
- 一般公差： $\pm 0.4$   
GENERAL TOLERANCES:  $\pm 0.4$

|                         |       |                                |  |
|-------------------------|-------|--------------------------------|--|
| 角度 ANGLE                |       | 材料 MATERIAL                    |  |
| 30 以上 OVER              | +0.3  | ナイロン6/6, UL94V-0               |  |
| 10 以上 OVER 30 未満 UNDER  | +0.25 | NYLON6/6, UL94V-0              |  |
| 10 未満 UNDER             | +0.2  | 仕上げ FINISH                     |  |
| 一般公差 GENERAL TOLERANCES |       | 適用電線範囲 WIRE RANGE              |  |
|                         |       | 被覆外径 INS. RANGE                |  |
|                         |       | DRAWN BY '97/09/18 Y.KANNO     |  |
|                         |       | CHK'D BY '97/09/19 Y.MIZUNO    |  |
|                         |       | APP'D BY '97/09/19 M.FUKUSHIMA |  |
|                         |       | 尺 度 SCALE                      |  |
|                         |       | 新規作成 RELEASED (JC80224) Y.K    |  |
|                         |       | 日付 DATE '97/09/18 Y.M          |  |
|                         |       | 変更内容 REVISION RECORD DR. CHK.  |  |

MOLEX-JAPAN CO.,LTD. 日本モレックス株式会社

REVISE ONLY ON CAD SYSTEM

TITLE 名称  
HOUSING ,KK (2.54)/.100  
CRIMP TYPE ,ANTI  
FISH-HOOKING TERMINAL  
WITH LOCKING RAMP

DWG. NO. SHEET 2 OF 2 REV  
SDE-6471-N\*-\*