

PLEASE CHECK WWW.MOLEX.COM FOR LATEST PART INFORMATION

Part Number: [0359790320](#)
Status: **Planned for Obsolescence**
Description: 7.92mm (.312") Pitch Wire-to-Board Header, Right Angle, 3 Circuits, White, Nylon

Documents:

[3D Model](#) [Product Specification PS-35979-001 \(PDF\)](#)
[Drawing \(PDF\)](#) [RoHS Certificate of Compliance \(PDF\)](#)

Agency Certification

| | |
|-----|-----------|
| CSA | LR19980 |
| TUV | R72090224 |
| UL | E29179 |

General

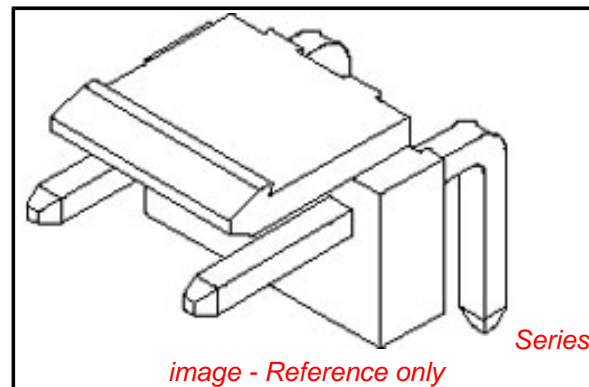
| | |
|----------------|-----------------------|
| Product Family | PCB Headers |
| Series | 35979 |
| Application | Wire-to-Board |
| Product Name | N/A |

Physical

| | |
|--------------------------------|----------------|
| Breakaway | No |
| Circuits (Loaded) | 3 |
| Circuits (maximum) | 3 |
| Color - Resin | White |
| Durability (mating cycles max) | 30 |
| First Mate / Last Break | No |
| Flammability | 94V-0 |
| Glow-Wire Compliant | No |
| Guide to Mating Part | No |
| Keying to Mating Part | None |
| Lock to Mating Part | Yes |
| Material - Plating Mating | Tin |
| Material - Plating Termination | Tin |
| Material - Resin | Nylon |
| Number of Rows | 1 |
| Orientation | Right Angle |
| PC Tail Length (in) | 0.146 In |
| PC Tail Length (mm) | 3.70 mm |
| PCB Locator | No |
| PCB Retention | None |
| PCB Thickness Recommended (in) | 0.062 In |
| PCB Thickness Recommended (mm) | 1.60 mm |
| Packaging Type | Bag |
| Pitch - Mating Interface (in) | 0.312 In |
| Pitch - Mating Interface (mm) | 7.92 mm |
| Polarized to Mating Part | No |
| Polarized to PCB | No |
| Shrouded | No |
| Stackable | Yes |
| Surface Mount Compatible (SMC) | No |
| Temperature Range - Operating | -25°C to +85°C |
| Termination Interface: Style | Through Hole |

Electrical

| | |
|-------------------------------|------|
| Current - Maximum per Contact | 7A |
| Voltage - Maximum | 250V |



EU RoHS

ELV and RoHS Compliant
REACH SVHC
 Not Reviewed
Halogen-Free Status

China RoHS



Need more information on product environmental compliance?

Email productcompliance@molex.com
 For a multiple part number RoHS Certificate of Compliance, [click here](#)

Please visit the [Contact Us](#) section for any non-product compliance questions.

Search Parts in this Series

[35979Series](#)

Mates With

[35977 Wire-to-Board Housing](#)

Material Info

Reference - Drawing Numbers

Product Specification

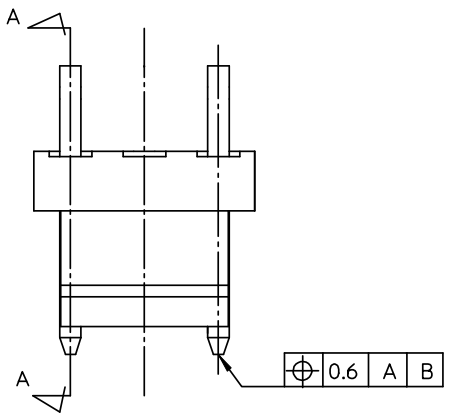
PS-35979-001

Sales Drawing

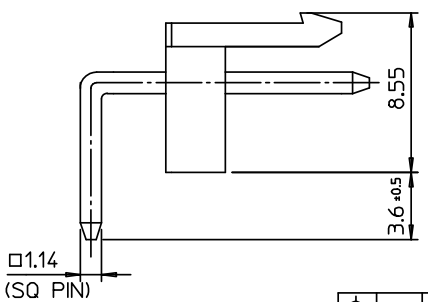
SD-35979-002

This document was generated on 06/07/2010

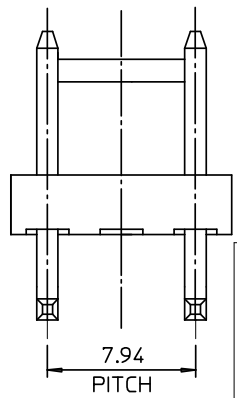
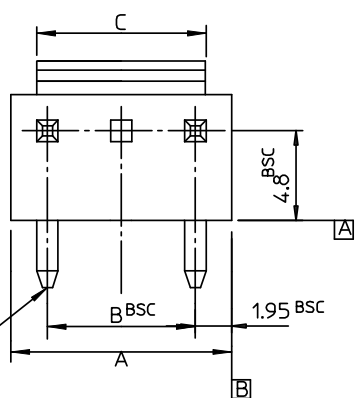
PLEASE CHECK WWW.MOLEX.COM FOR LATEST PART INFORMATION



⊕ 0.6 A B



⊕ 0.6 A B

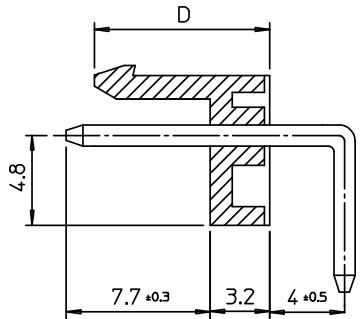


NOTES

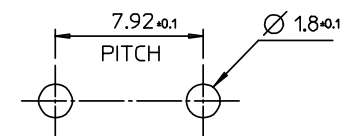
- MATERIAL : HEADER - PA66, PBT/PC
PIN : BRASS(CDA 2700)
- FINISHES : PIN
THICKNESS - TIN PLATED 3.0 MICROMETER MIN.
OVER Cu 1.5 MICROMETER MIN.
- PRODUCT SPECIFICATION : PS-35979-002

LEGEND

- 35979-****
- COLOR : 0 - WHITE
1 - BLACK
2 - RED
3 - YELLOW
4 - BLUE
 - PIN TYPE : RIGHT ANGLE MATERIAL : 2 : PA66 5 : PBT/PC
 - CIRCUIT NO. (02,03,04...)



SECTION A-A



P.C. BOARD LAYOUT (t=1.6)

| | | | | | | | |
|-----|-------|-------|-------|-----------|------------|-----|----|
| 9.4 | 56.50 | 55.44 | 59.40 | 3597908** | 35979-08** | 8 | 15 |
| | 48.58 | 47.52 | 51.48 | 3597907** | 35979-07** | 7 | 13 |
| | 40.66 | 39.60 | 43.56 | 3597906** | 35979-06** | 6 | 11 |
| 9.7 | 32.74 | 31.68 | 35.64 | 3597905** | 35979-05** | 5 | 9 |
| | 24.82 | 23.76 | 27.72 | 3597904** | 35979-04** | 4 | 7 |
| | 16.90 | 15.84 | 19.80 | 3597903** | 35979-03** | 3 | 5 |
| D | C | B | A | MAT'L NO | ENG NO. | CKT | N |

REVISED
EC NO: KOR2008-0143
DRWN: JHPARK01 2008/02/26
CHKD: WY. YANG 2008/02/26
APPR: YUNS.IKK.M 2008/02/27

QUALITY SYMBOLS
▽=0
∇=0

GENERAL TOLERANCES (UNLESS SPECIFIED)

| | | |
|---------------|-------|-------|
| | mm | INCH |
| 4 PLACES | ± --- | ± --- |
| 3 PLACES | ± --- | ± --- |
| 2 PLACES | ± --- | ± --- |
| 1 PLACE | ± 0.2 | ± --- |
| ANGULAR ± 2 ° | | |

DRAFT WHERE APPLICABLE
MUST REMAIN
WITHIN DIMENSIONS

DIMENSION STYLE
MM ONLY

DRAWN BY: YR. WI
DATE: 1999/05/07

CHECKED BY: JK. OH
DATE: 1999/05/07

APPROVED BY: CW. LEE
DATE: 1999/05/07

MATERIAL NO.
SEE TABLE

SCALE: 3.5:1
DESIGN UNITS: METRIC
THIRD ANGLE PROJECTION

TITLE: 7.92 PITCH W-T-B CONN. HEADER ASSY(R/A)

molex MOLEX INCORPORATED

DOCUMENT NO. SD-35979-002
SHEET NO. 1 OF 01

THIS DRAWING CONTAINS INFORMATION THAT IS PROPRIETARY TO MOLEX INCORPORATED AND SHOULD NOT BE USED WITHOUT WRITTEN PERMISSION