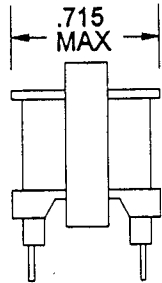
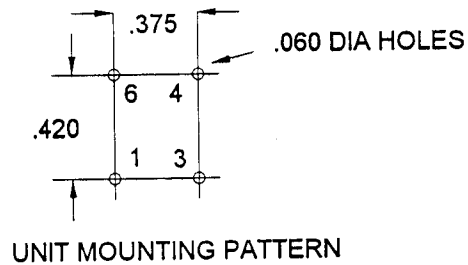
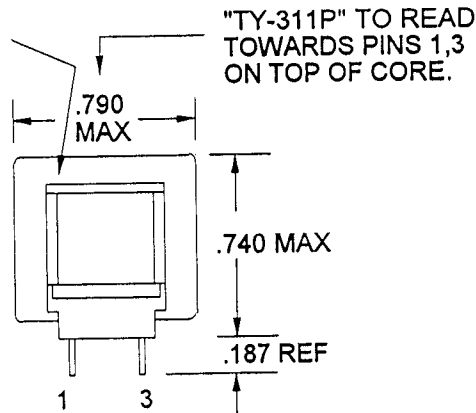


TY-311P.DC2



DOT ABOVE #1 PIN
ON BOBBIN FLANGE



PRODUCTION TESTS

URNS RATIO: 100%

DC	1-3 : 38
RESISTANCE IN OHMS	4-6: 53
NOM	

APPLY: 2V 300 HZ, PINS 1-3

INDUCTANCE: 1.75 HY MIN

HIPOT: 1500V P-S,C S-C

IMPREGNATION NOTES:
PINS TO BE FREE OF IMPREGNATION.

FINAL ASSEMBLY NOTES



METHOD
1 x 1 (LEAVE OFF LAST "I" PCS)

MARKING "TY-311P" ON TOP OF CORE.
DATECODE SITECODE ON SIDE OF CORE.

PART NO. TY-311P