

PLEASE CHECK WWW.MOLEX.COM FOR LATEST PART INFORMATION

Part Number: [0350979812](#)
Status: **Active**
Description: MP-Lock™ Quick Disconnect, Female, for 16-20 AWG (1.30-0.50mm²), Metal Strip, Tab 2.79 by 0.50mm (.110 by .020"), Pre-Tin Plated

Documents:

[Drawing \(PDF\)](#) [Product Specification PS-35506-001 \(PDF\)](#)
[Product Specification PS-35097-002 \(PDF\)](#) [RoHS Certificate of Compliance \(PDF\)](#)

Agency Certification

UL E92853

General

Product Family Quick Disconnects
 Series [35097](#)
 Crimp Quality Equipment Yes
 Product Name MP-Lock™
 Type Quick Disconnect

Physical

Barrel Type Open
 Gender Female
 Glow-Wire Compliant No
 Insulation None
 Lock to Mating Part None
 Material - Metal Brass
 Material - Plating Mating Tin
 Material - Plating Termination Tin
 Orientation Straight
 Packaging Type Reel
 Plating min: Mating (µin) 32.00
 Plating min: Mating (µm) 0.800
 Plating min: Termination (µin) 32.00
 Plating min: Termination (µm) 0.80
 Polarized to Mating Part No
 Tab Thickness 0.51mm (.020")
 Tab Width 2.79mm (.110")
 Temperature Range - Operating -40°C to +120°C
 Termination Interface: Style Crimp or Compression
 Wire Insulation Diameter 3.40mm (.134") max.
 Wire Size AWG 16, 18, 20
 Wire Size mm² 0.50 - 1.30

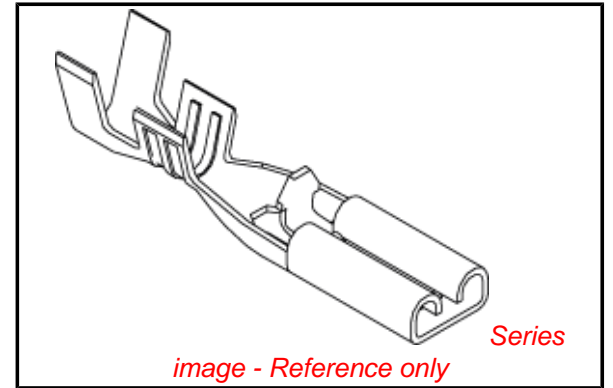
Electrical

Voltage - Maximum 250V

Material Info

Reference - Drawing Numbers

Product Specification PS-35097-002, PS-35506-001
 Sales Drawing SD-35097-9*12



EU RoHS

ELV and RoHS Compliant
REACH SVHC Contains SVHC: No
Halogen-Free Status

China RoHS



Need more information on product environmental compliance?

Email productcompliance@molex.com
 For a multiple part number RoHS Certificate of Compliance, [click here](#)

Please visit the [Contact Us](#) section for any non-product compliance questions.

Search Parts in this Series

[35097Series](#)

Use With

2.80mm (.110") Tab

Application Tooling | FAQ

Tooling specifications and manuals are found by selecting the products below. Crimp Height Specifications are then contained in the Application Tooling Specification document.

Global

Description	Product #
Mini-Mac™	0638021000
Applicator Rear Feed	

DWG. NO.

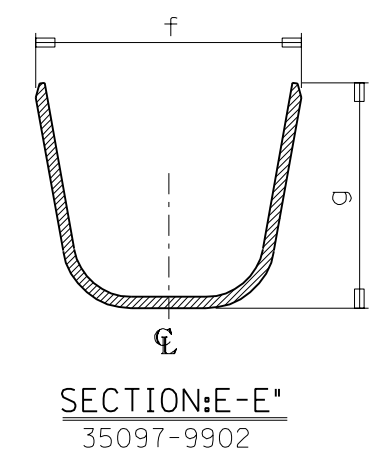
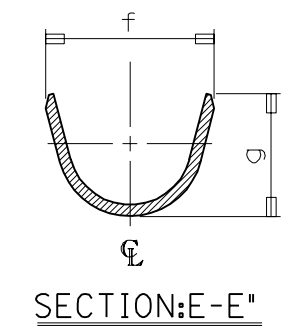
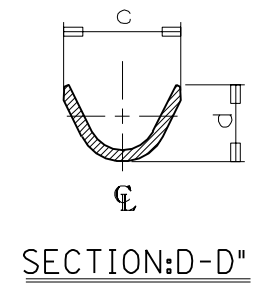
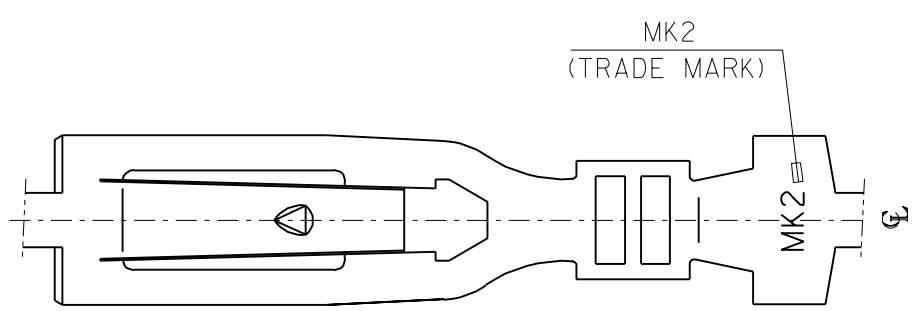
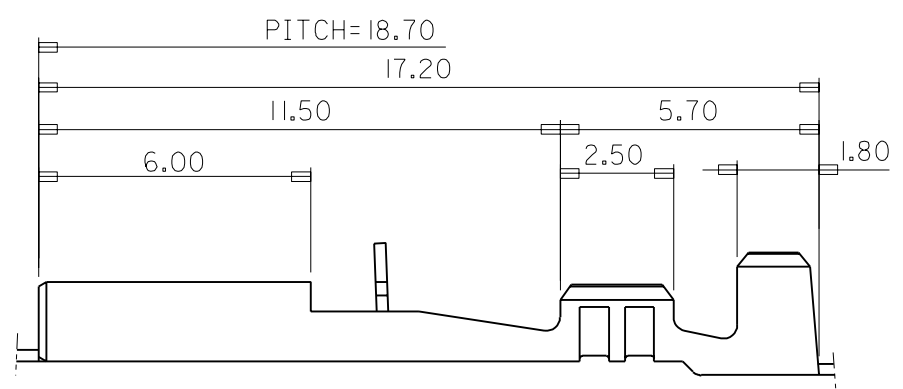
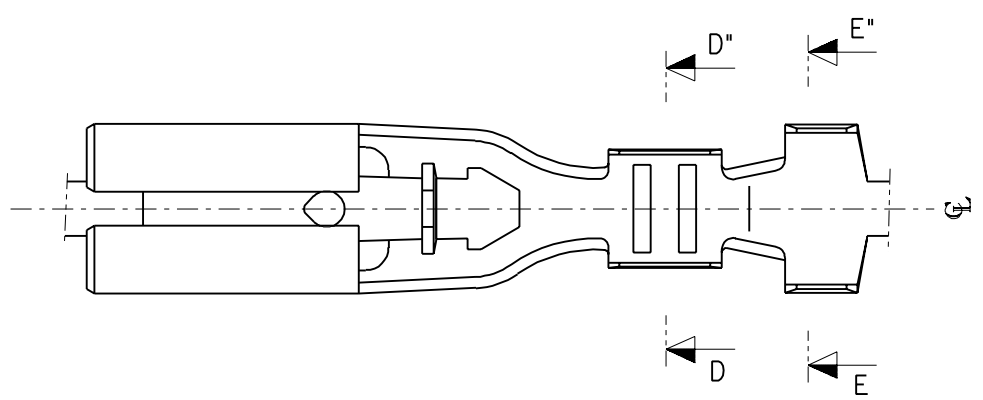
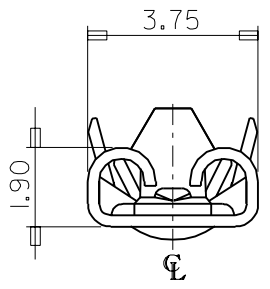
SIMILAR ITEM

PROJECT NO.

C

B

DO NOT SCALE DRAWING
DIMENSION IN METRIC



NOTES

- MATERIAL: TIN-PLATED BRASS 0.25mm THICK'
- FINISH: PRE-TIN PLATING
- MATING TAB: 0.5(+) \times 2.8(w)

ENG.NO.	c	d	f	g	WIRE RANGE
35097-9712	2.0	1.85	3.3	3.0	AWG #26-#20
35097-9812	2.8	2.75	4.0	4.1	AWG #20-#16
35097-9912	2.8	2.75	5.9	5.0	AWG #20 \times 2

REVISED EC NO. KOR2000-0090 DRWN: W.Y.YANG 00/11/08 CHK: APPR:	DESCRIPTION	QUALITY SYMBOLS	GENERAL TOLERANCES: (UNLESS SPECIFIED)		SCALE	DESIGN UNITS	THIRD ANGLE PROJECTION	DIMENSIONS:	SHT	REV
	REV	MAJOR = 0 CRITICAL = 0	mm	INCH	6:1	<input checked="" type="checkbox"/> mm <input type="checkbox"/> INCH	<input type="checkbox"/> mm <input type="checkbox"/> INCH <input checked="" type="checkbox"/> mm ONLY			

4 PLACES	$\pm 0.$	$\pm.$
3 PLACES	$\pm 0.$	$\pm.$
2 PLACES	± 0.30	$\pm.$
1 PLACE	± 0.30	$\pm.$
ANGULAR: $\pm 5.0^\circ$		
DRAFT WHERE APPLICABLE MUST REMAIN WITHIN DIMENSIONS		

DRAWN BY & DATE W.Y.YANG 98/02/17	TITLE: .110 MP-LOCK RECEPTACLE TERMINAL
CHECKED BY & DATE B.K.CHOI 98/02/17	MOLEX INCORPORATED KOREA
APPROVED BY & DATE C.W.LEE 98/02/17	
CAD FILENAME S0979712.DGN	MATERIAL NO. SEE TABLE
DRAWING NO. SD 35097-9*12	
SHEET NO. 10F1	

THIS DRAWING CONTAINS INFORMATION THAT IS PROPRIETARY TO MOLEX INCORPORATED AND SHOULD NOT BE USED WITHOUT WRITTEN PERMISSION.

SIZE B