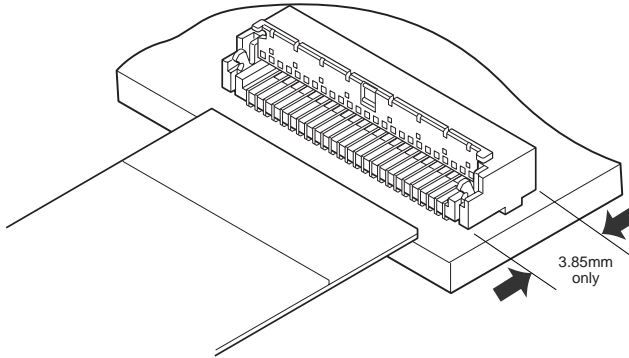


FXS CONNECTOR

0.3mm pitch/Connectors for FPC



Space saving flip lock type connector, with 1.8mm height and 3.85mm depth.

- Space saving design
- Rotating cover structure
- Locking structure

Specifications

- Current rating: 0.2A AC, DC
- Voltage rating: 50V AC, DC
- Temperature range: -25°C to +85°C
(including temperature rise in applying electrical current)
- Contact resistance: Initial value/50m Ω max.
After environmental testing/50m Ω max.
(variation from initial value)
- Insulation resistance: 500M Ω min.
- Withstanding voltage: 200V AC/minute
- Applicable FPC: Conductor pitch/0.3mm
<0.6mm pitch staggered>
Conductor width/0.3mm
Mating part thickness/0.2±0.03mm

Note: FPC to be actually used should be checked for applicability.

* RoHS compliant products are published.

* Refer to "General Instruction and Notice when using Terminals and Connectors" at the end of this catalog.

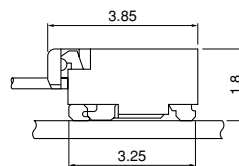
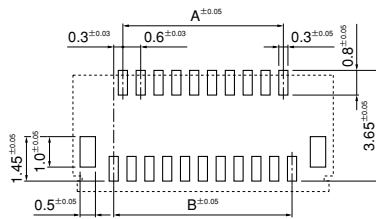
* Contact JST for details.

Standards

Ⓜ Recognized E60389

Ⓢ Certified LR20812

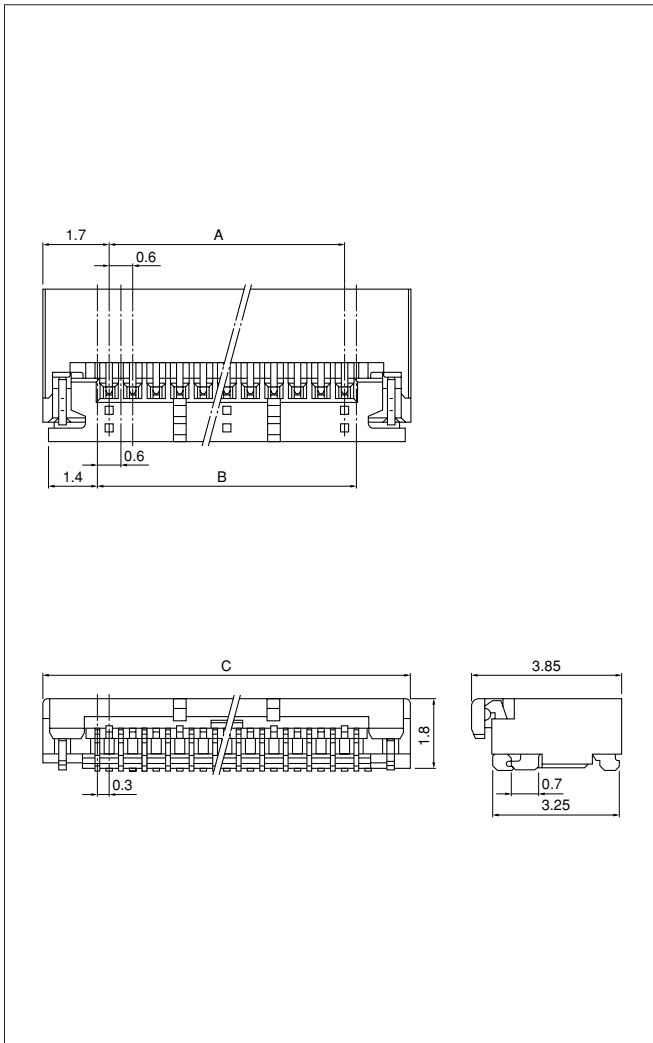
PC board layout (viewed from component side) and Assembly layout



- Note: 1. Tolerances are non-cumulative: ±0.03mm for all centers.
2. The dimensions above should serve as a guideline. Contact JST for details.

FXS CONNECTOR

Connector



Gold-plated

Circuits	Model No.	Dimensions (mm)			Q'ty / reel
		A	B	C	
15	15FXS-RSM1-G-TF (B)	3.6	4.2	7.0	2,500
19	19FXS-RSM1-G-TF (B)	4.8	5.4	8.2	2,500
21	21FXS-RSM1-G-TF (B)	5.4	6.0	8.8	2,500
25	25FXS-RSM1-G-TF (B)	6.6	7.2	10.0	2,500
33	33FXS-RSM1-G-TF (B)	9.0	9.6	12.4	2,500
45	45FXS-RSM1-G-TF (B)	12.6	13.2	16.0	2,500
51	51FXS-RSM1-G-TF (B)	14.4	15.0	17.8	2,500

Material and Finish

Contact: Copper alloy, nickel-undercoated, gold-plated
Housing: Heat resisting resin, UL94V-0
Solder tab: Copper alloy, copper-undercoated, tin-plated (reflow treatment)
Cover: Heat resisting resin, UL94V-0
Reinforcing pin: KOVAR
Rotary pin: KOVAR

RoHS compliance This product displays (LF)(SN) on a label.

Tin-plated

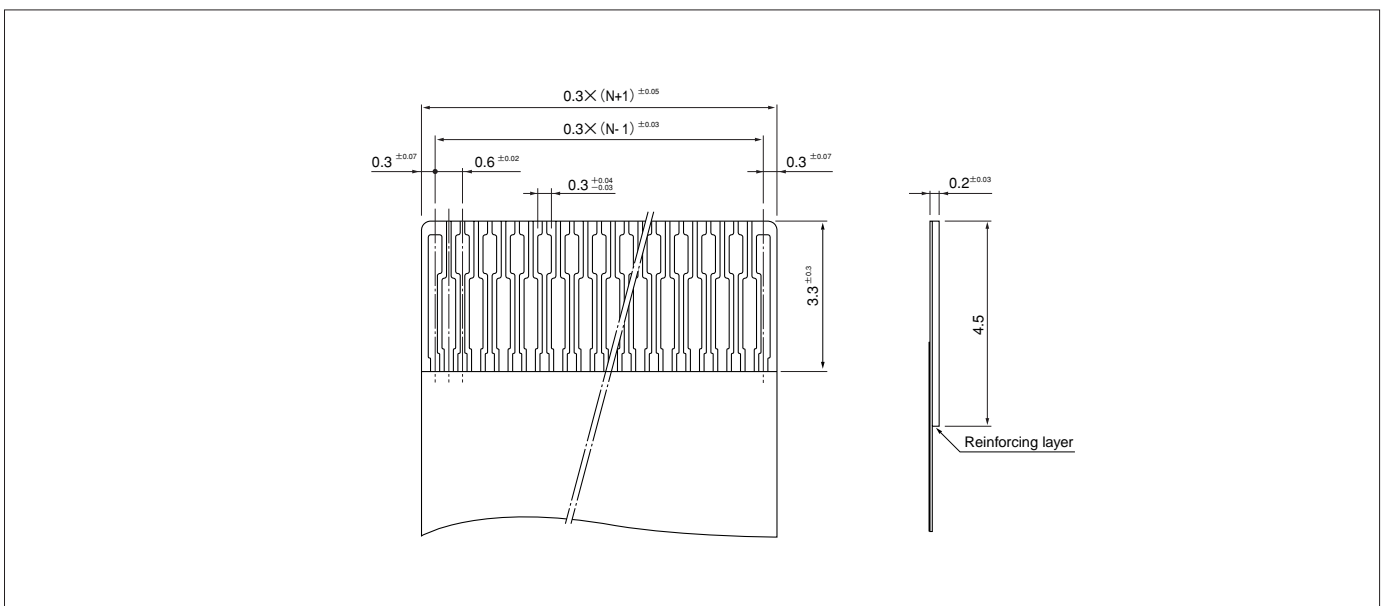
Circuits	Model No.	Dimensions (mm)			Q'ty / reel
		A	B	C	
15	15FXS-RSM1-TF (B)	3.6	4.2	7.0	2,500
19	19FXS-RSM1-TF (B)	4.8	5.4	8.2	2,500
21	21FXS-RSM1-TF (B)	5.4	6.0	8.8	2,500
25	25FXS-RSM1-TF (B)	6.6	7.2	10.0	2,500
33	33FXS-RSM1-TF (B)	9.0	9.6	12.4	2,500
45	45FXS-RSM1-TF (B)	12.6	13.2	16.0	2,500
51	51FXS-RSM1-TF (B)	14.4	15.0	17.8	2,500

Material and Finish

Contact: Copper alloy, copper-undercoated, tin-plated (reflow treatment)
Housing: Heat resisting resin, UL94V-0
Solder tab: Copper alloy, copper-undercoated, tin-plated (reflow treatment)
Cover: Heat resisting resin, UL94V-0
Reinforcing pin: KOVAR
Rotary pin: KOVAR

RoHS compliance This product displays (LF)(SN) on a label.

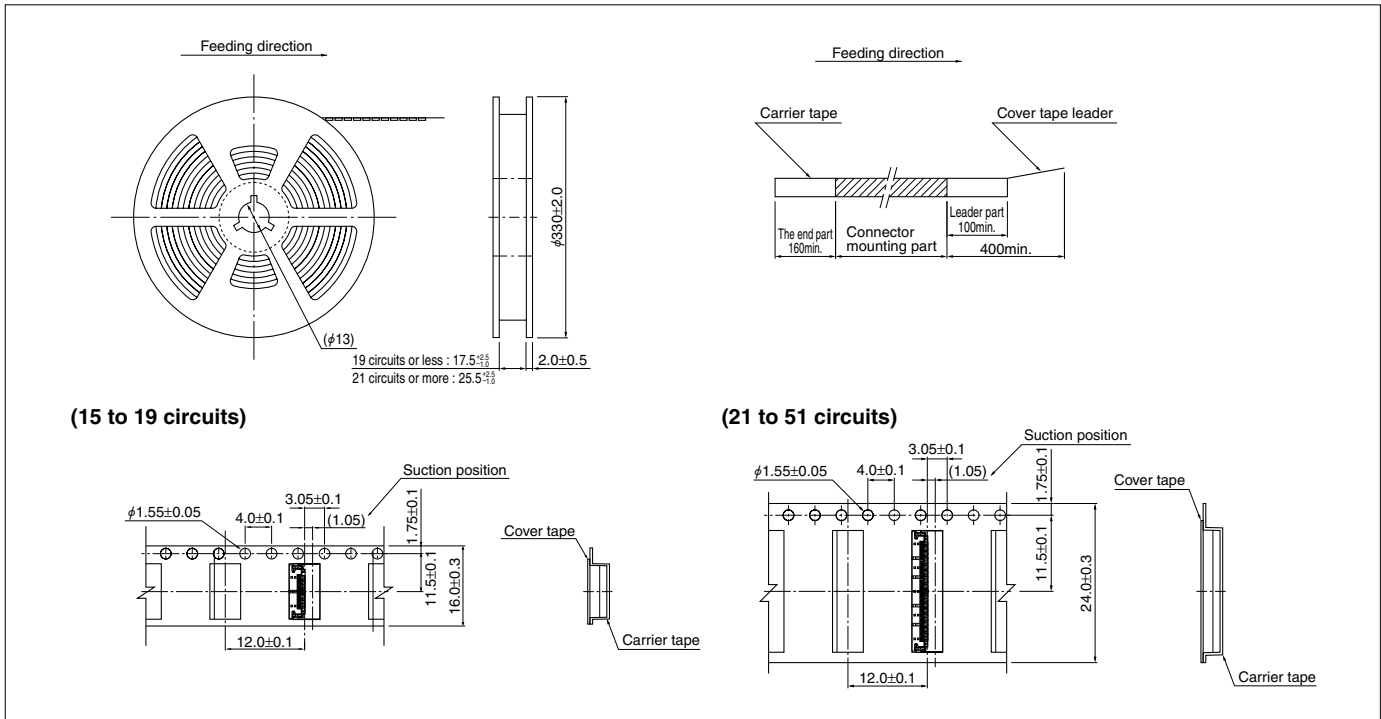
Lead section dimensions of FPC



Note: N---Number of circuits

FXS CONNECTOR

Taping specifications



Note:

1. Specifications conform to JIS C 0806. The tape width, connector recess dimensions, etc. are determined by the number of circuits and external shape of the connector to be loaded.
2. Specifications are subject to change without prior notice.