

941-005NFB98PA

Series No. _____

Class _____

1 = Environmental

2 = Hi Rel

Basic Part No. _____

Finish Symbol _____
(See Page 5)

Alternate Position
A,B,C,D,E (N = Normal)

P = Pins, Plug Side

S = Sockets, Plug Side

Insert Arrangement _____

Shell Size Code _____

SHELL SIZE CODE	SHELL SIZE REF	A THREAD	B MAX
A	9	.6250-0.1P-0.3L-TS-2	.859 (21.8)
B	11	.7500-0.1P-0.3L-TS-2	.969 (24.6)
C	13	.8750-0.1P-0.3L-TS-2	1.141 (29.0)
D	15	1.0000-0.1P-0.3L-TS-2	1.266 (32.2)
E	17	1.1875-0.1P-0.3L-TS-2	1.391 (35.3)
F	19	1.2500-0.1P-0.3L-TS-2	1.500 (38.1)
G	21	1.3750-0.1P-0.3L-TS-2	1.625 (41.3)
H	23	1.5000-0.1P-0.3L-TS-2	1.750 (44.5)
J	25	1.6250-0.1P-0.3L-TS-2	1.875 (47.6)

Metric dimensions (mm) are indicated in parentheses

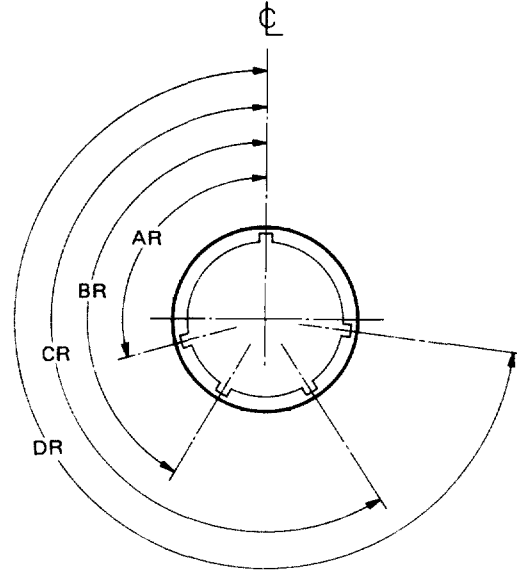
© 1995 Glenair, Inc.

Printed in U.S.A.

INSERT ARRANGEMENTS

SHELL SIZE CODE SHELL SIZE REF INSERT ARRANGEMENT DASH NO. CONTACT SIZE: QUANTITY 22 20 16 12

SHELL SIZE CODE	SHELL SIZE REF	INSERT ARRANGEMENT DASH NO.	CONTACT SIZE: QUANTITY	22	20	16	12
A	9	9-3	3				
		9-35	6				
		9-44	4				
		9-98	3				
B	11	11-2		2			
		11-4		4			
		11-5		5			
		11-6		6			
		11-35	13				
		11-98		6			
C	13	13-4			4		
		13-8		8			
		13-35	22				
		13-98		10			
D	15	15-5			5		
		15-15		14	1		
		15-18		18			
		15-19		19			
		15-35	37				
E	17	15-97		8	4		
		17-6				6	
		17-8				8	
		17-26		26			
F	19	17-35	55				
		17-99		21	2		
		19-11			11		
		19-28		26	2		
		19-30		29	1		
G	21	19-32		32			
		19-35	66				
		19-45	67				
		21-35	79				
		21-11			11		
		21-16			16		
		21-24		24			
H	23	21-25		25			
		21-27		27			
		21-39		37	2		
		21-41		41			
		23-35	100				
		23-2	85				
		23-21			21		
		23-32		32			
		23-34		34			
		23-36		36			
J	25	23-53		53			
		23-55		20			
		23-97			16		
		23-99			11		
		25-2	100				
		25-4		48	8		
		25-19				19	
		25-24			12	12	
		25-29			29		
		25-35	128				
25-43		23	20				
25-61		61					



FACE VIEW RECEPTACLE

ALTERNATE KEYWAY POSITIONS

SHELL SIZE CODE	SHELL SIZE REF	ALTERNATE KEYWAY CODE	AR ⁰	BR ⁰	CR ⁰	DR ⁰
A	9	N	105	140	215	265
		A	102	132	248	320
		B	80	118	230	312
		C	35	140	205	275
		D	64	155	234	304
B	11, 13, 15	E	91	131	197	240
		N	95	141	208	236
		A	113	156	182	292
		B	90	145	195	252
		C	53	156	220	255
C	17, 19	D	119	145	176	298
		E	51	141	184	242
		N	80	142	196	293
		A	135	170	200	310
		B	49	169	200	244
D	21, 23, 25	C	66	140	200	257
		D	62	145	180	280
		E	79	153	197	272
		N	80	142	196	293
		A	135	170	200	310
E	23, 25	B	49	169	200	244
		C	66	140	200	257
		D	62	145	180	280
		E	79	153	197	272
		N	80	142	196	293