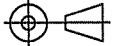


List of "SFW__R-3/4STZE5LF" customer document

DOCUMENT NO.	LIST
10091601(SHEET1)	DOCUMENT LIST
10091601(SHEET2)	CAT. NO. TABLE FOR 1mm SPACING SMT CONNECTOR (SFW__R-3/4STZ__LF)
10091601(SHEET3)	1mm SPACING SMT CONNECTOR (SFW__R-3STZ__LF)
10091601(SHEET4)	1mm SPACING SMT CONNECTOR (SFW__R-4STZ__LF)
10091601(SHEET5)	CAT. NO. TABLE FOR PLASTIC TAPE PACKAGED 1mm SPACING SMT CONNECTOR (SFW__R-3/4STZE5LF)
10091601(SHEET6)	PLASTIC TAPE PACKAGED 1mm SPACING SMT CONNECTOR (SFW__R-3STZE5LF)
10091601(SHEET7)	PLASTIC TAPE PACKAGED 1mm SPACING SMT CONNECTOR (SFW__R-4STZE5LF)
10091601(SHEET8)	RECOMMENDED CABLE (FPC) (SFW__R-3/4ST__)
10091601(SHEET9)	RECOMMENDED CABLE (FFC) (SFW__R-3/4ST__)
SC-SFW11	PRODUCT SPECIFICATION
GS-20-130	HANDLING PROCEDURES

mat'l. code				surface 58/ISO 1302		tolerance ISO 406 ISO 1101		projection 		product family 58RF		CODE JP	
ltr				ecn no		dr		date		title		sheet 1 of 9	
A				S08-0266		DGOH		08-08-13		1mm SPACING SMT CONNECTOR DOCUMENT LIST		A4	
B				S08-0277		DGOH		08-08-25		(Cat. No. : SFW__R-3/4STZE5LF)			
C				J09-0380		M.Y		2009-10-27		scale X			
				dr		M. YAMASITA		2009-10-27		FCI		type Product Customer Drawing	
				engr		M. YAMASITA		2009-10-27					
				chr		S. Nishida		2009-10-27					
				appd		S. Nishida		2009-10-27					
sheet index		revision sheet		C	C	C	C	C	C	C	C	C	Rev. C
		1 2		3	4	5	6	7	8	9			

CAT. NO. & DIMENSIONS

NO. OF CONTACTS (n)	CAT. NO.	DIMENSIONS (NOTE2)			
		A ± 0.2	B ± 0.2	C ± 0.2	D ± 0.1
4	SFW4R-3/4STZ__LF	9.8	8.6	3.0	3.92
5	SFW5R-3/4STZ__LF	10.8	9.6	4.0	4.92
6	SFW6R-3/4STZ__LF	11.8	10.6	5.0	5.92
7	SFW7R-3/4STZ__LF	12.8	11.6	6.0	6.92
8	SFW8R-3/4STZ__LF	13.8	12.6	7.0	7.92
9	SFW9R-3/4STZ__LF	14.8	13.6	8.0	8.92
10	SFW10R-3/4STZ__LF	15.8	14.6	9.0	9.92
11	SFW11R-3/4STZ__LF	16.8	15.6	10.0	10.92
12	SFW12R-3/4STZ__LF	17.8	16.6	11.0	11.92
13	SFW13R-3/4STZ__LF	18.8	17.6	12.0	12.92
14	SFW14R-3/4STZ__LF	19.8	18.6	13.0	13.92
15	SFW15R-3/4STZ__LF	20.8	19.6	14.0	14.92
16	SFW16R-3/4STZ__LF	21.8	20.6	15.0	15.92
17	SFW17R-3/4STZ__LF	22.8	21.6	16.0	16.92
18	SFW18R-3/4STZ__LF	23.8	22.6	17.0	17.92
19	SFW19R-3/4STZ__LF	24.8	23.6	18.0	18.92
20	SFW20R-3/4STZ__LF	25.8	24.6	19.0	19.92
21	SFW21R-3/4STZ__LF	26.8	25.6	20.0	20.92
22	SFW22R-3/4STZ__LF	27.8	26.6	21.0	21.92
23	SFW23R-3/4STZ__LF	28.8	27.6	22.0	22.92
24	SFW24R-3/4STZ__LF	29.8	28.6	23.0	23.92
25	SFW25R-3/4STZ__LF	30.8	29.6	24.0	24.92
26	SFW26R-3/4STZ__LF	31.8	30.6	25.0	25.92
27	SFW27R-3/4STZ__LF	32.8	31.6	26.0	26.92
28	SFW28R-3/4STZ__LF	33.8	32.6	27.0	27.92
29	SFW29R-3/4STZ__LF	34.8	33.6	28.0	28.92
30	SFW30R-3/4STZ__LF	35.8	34.6	29.0	29.92

CAT. NO. SFW (n) R - 3 ST Z __ LF

SERIES NAME

NO. OF CONTACTS

RIGHT ANGLE TYPE

FOR FPC/FFC, WITH CABLE LOCK MECHANISM

CONTACT DIRECTION
3. LOWER CONTACT TYPE
4. UPPER CONTACT TYPE

FOR AUTOMATIC MOUNTING (SMT)

VARIATION

PACKAGE STYLE

LEAD FREE

NOTES

1. THIS PRODUCT IS THE CONNECTOR USED FOR FPC/FFC AND COPES WITH AUTOMATIC MOUNTING (SMT).
2. SEE PART DRAWINGS FOR DIMENSIONS A~D.
3. THIS PRODUCT IS THE CONNECTOR WITH CABLE LOCK MECHANISM.

mat'l. code				surface 58/ISO 1302		tolerance ISO 406 ISO 1101		projection		product family 58RF		CODE JP	
ltr ecn no dr date				tolerances unless otherwise specified		angles linear		mm		title CAT NO. TABLE FOR 1mm SPACING SMT CONNECTOR (Cat. No. SFW__R-3/4STZ__LF)			
sheet index				revision sheet		dr H.YAMASHITA 2009-10-27		engr H.YAMASHITA 2009-10-27		dwg no 10091601		sheet 2 of 9 size A4	
						chr S. Witala 2009-10-27		appd S. Andani 2009-10-27		type Product Customer Drawing		Rev. C	



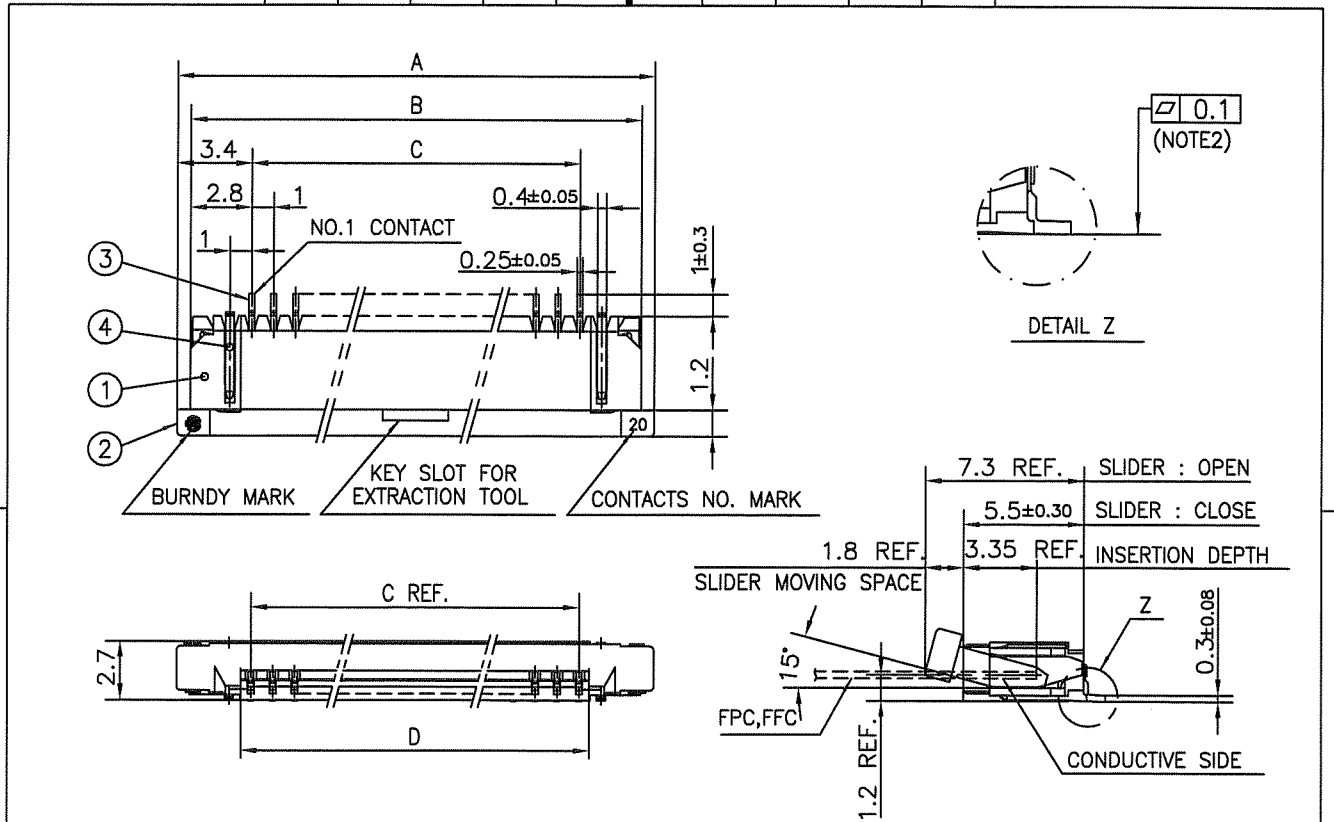
FCIconnect.com

Copyright FCI.



D

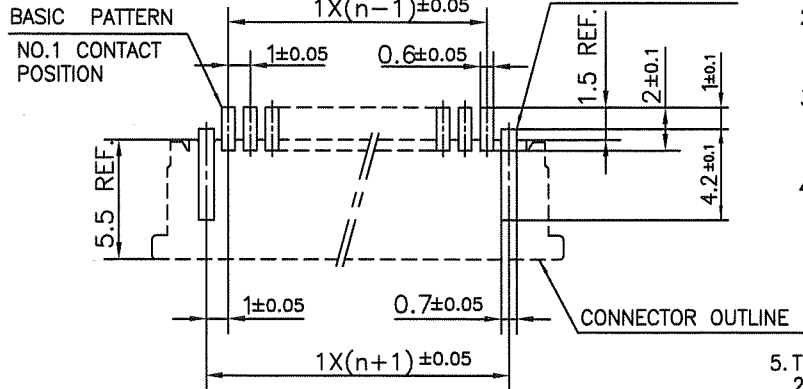
D



PT. NO.	PARTS NAME	MATERIAL	Q'TY	NOTE
1	HOUSING	PPS RESIN GLASS REINFORCED (UL94V-0)	1	COLOR : BLACK
2	SLIDER		1	COLOR : BROWN
3	CONTACT	PHOSPHOR BRONZE	n	PLATING : THIN TIN
4	MOUNTING PLATE		2	PLATING : TIN

n : NO. OF CONTACTS

RECOMMENDED PC BOARD LAYOUT (COMPONENT SIDE)



NOTES

1. THIS PRODUCT IS THE CONNECTOR USED FOR FPC/FFC AND COPES WITH AUTOMATIC MOUNTING (SMT).
2. FLATNESS FOR CONTACT TERMINAL HOUSING MUST BE WITHIN TOLERANCE IN Z PORTION DETAILED DRAWING.
3. THIS PRODUCT IS LOWER CONTACT TYPE CONNECTOR WITH CABLE LOCK MECHANISM.
4. THIS PRODUCT MEETS EUROPEAN UNION DIRECTIVES AND OTHER COUNTRY REGULATIONS AS DESCRIBED IN GS-22-008

5. THE HOUSING WILL WITHSTAND EXPOSURE TO 260°C PEAK TEMPERATURE FOR 10 SECONDS IN A REFLOW SOLDERING OVEN.

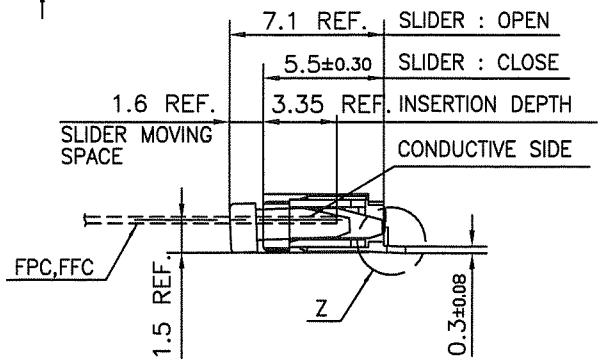
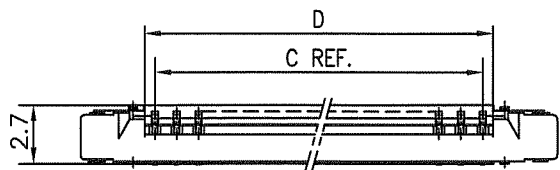
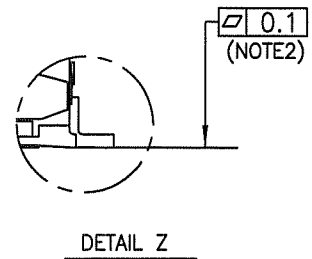
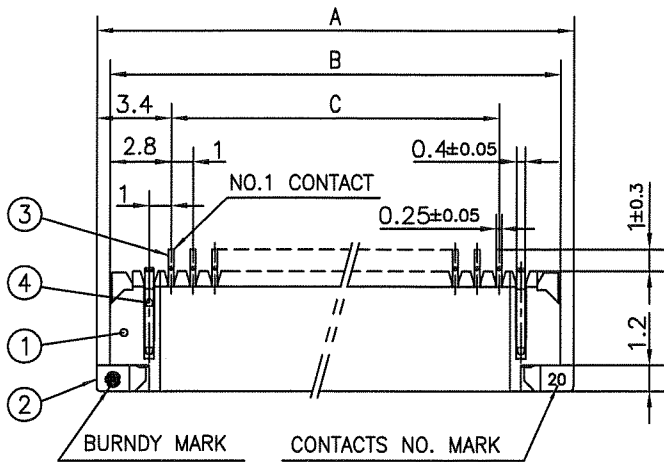
mat'l. code				surface 58/ISO 1302	tolerance ISO 406/ISO 1101	projection	product family 58RF	CODE JP
ltr	ecn no	dr	date	tolerances unless otherwise specified		mm	title	
c				angles	linear ±0.2		1mm SPACING SMT CONNECTOR (Cat. No. SFW__R-3STZ__LF)	
				dr	M. YAMAGUCHI	2009-10-27	dwg no sheet 3 of 9 size	
				enr	M. YAMASHITA	2009-10-27	10091601 A4	
				chr	S. Y. CHOI	2009-10-27	type Product Customer Drawing	
				appd	S. OUCHI	2009-10-27	Rev. C	
sheet index	revision sheet							



FCIconnect.com

Copyright FCI.





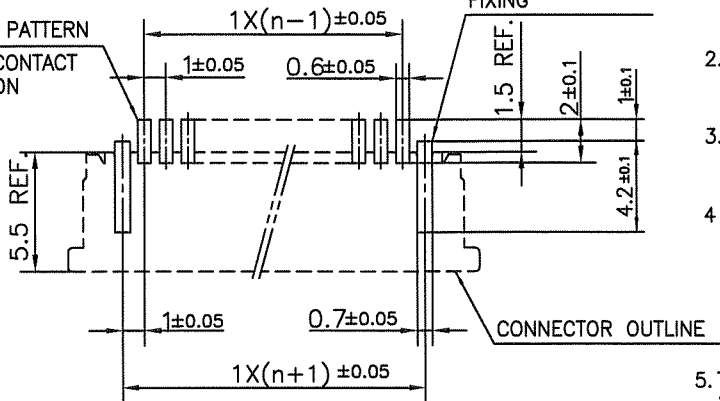
PT. NO.	PARTS NAME	MATERIAL	Q'TY	NOTE
1	HOUSING	PPS RESIN GLASS REINFORCED (UL94V-0)	1	COLOR : BLACK
2	SLIDER	PPS RESIN GLASS REINFORCED (UL94V-0)	1	COLOR : BROWN
3	CONTACT	PHOSPHOR BRONZE	n	PLATING : THIN TIN
4	MOUNTING PLATE		2	PLATING : TIN

n : NO. OF CONTACTS

RECOMMENDED PC BOARD LAYOUT (COMPONENT SIDE)

BASIC PATTERN

NO.1 CONTACT POSITION



NOTES

1. THIS PRODUCT IS THE CONNECTOR USED FOR FPC/FFC AND COPES WITH AUTOMATIC MOUNTING (SMT).
2. FLATNESS FOR CONTACT TERMINAL HOUSING MUST BE WITHIN TOLERANCE IN Z PORTION DETAILED DRAWING.
3. THIS PRODUCT IS UPPER CONTACT TYPE CONNECTOR WITH CABLE LOCK MECHANISM.
4. THIS PRODUCT MEETS EUROPEAN UNION DIRECTIVES AND OTHER?COUNTRY REGULATIONS AS DESCRIBED IN GS-22-008
5. THE HOUSING WILL WITHSTAND EXPOSURE TO 260°C PEAK TEMPERATURE FOR 10 SECONDS IN A REFLOW SOLDERING OVEN.

mat'l. code				surface 58 / ISO 1302		tolerance ISO 406 / ISO 1101		projection		product family 58RF		CODE JP	
ltr ecn no dr date				tolerances unless otherwise specified		angles linear ±0.2		mm		title			
c								scale X		1mm SPACING SMT CONNECTOR (Cat. No. SFW__R-4STZ__LF)			
				dr		M.YAMASAKI 2009-10-27				dwg no		sheet 4 of 9 size	
				enrg		M.YAMASAKI 2009-10-27				10091601		A4	
				chr		S. V. 2009-10-27				type Product Customer Drawing			
				appd		S. O. 2009-10-27							
sheet index		revision sheet										Rev. C	

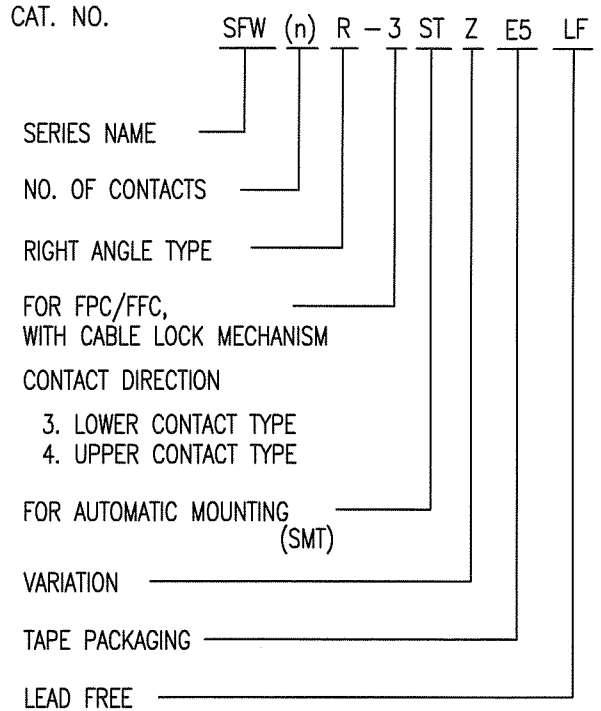


FCIconnect.com

Copyright FCI.

CAT. NO. & DIMENSIONS

NO. OF CONTACTS (n)	CAT. NO. (NOTE2)	DIMENSIONS (NOTE3)		
		E max.	F ± 0.3	G ± 0.1
4	SFW4R-3/4STZE5LF	22.4	16	—
5	SFW5R-3/4STZE5LF	30.4	24	—
6	SFW6R-3/4STZE5LF	30.4	24	—
7	SFW7R-3/4STZE5LF	30.4	24	—
8	SFW8R-3/4STZE5LF	30.4	24	—
9	SFW9R-3/4STZE5LF	30.4	24	—
10	SFW10R-3/4STZE5LF	30.4	24	—
11	SFW11R-3/4STZE5LF	30.4	24	—
12	SFW12R-3/4STZE5LF	30.4	24	—
13	SFW13R-3/4STZE5LF	38.4	32	28.4
14	SFW14R-3/4STZE5LF	38.4	32	28.4
15	SFW15R-3/4STZE5LF	38.4	32	28.4
16	SFW16R-3/4STZE5LF	38.4	32	28.4
17	SFW17R-3/4STZE5LF	50.4	44	40.4
18	SFW18R-3/4STZE5LF	50.4	44	40.4
19	SFW19R-3/4STZE5LF	50.4	44	40.4
20	SFW20R-3/4STZE5LF	50.4	44	40.4
21	SFW21R-3/4STZE5LF	50.4	44	40.4
22	SFW22R-3/4STZE5LF	50.4	44	40.4
23	SFW23R-3/4STZE5LF	50.4	44	40.4
24	SFW24R-3/4STZE5LF	50.4	44	40.4
25	SFW25R-3/4STZE5LF	50.4	44	40.4
26	SFW26R-3/4STZE5LF	50.4	44	40.4
27	SFW27R-3/4STZE5LF	50.4	44	40.4
28	SFW28R-3/4STZE5LF	62.4	56	52.4
29	SFW29R-3/4STZE5LF	62.4	56	52.4
30	SFW30R-3/4STZE5LF	62.4	56	52.4



NOTES

1. THIS PRODUCT IS THE CONNECTOR USED FOR FPC/FFC AND COPE WITH AUTOMATIC MOUNTING (SMT).
2. THIS CATALOG NO. INDICATES PLASTIC TAPE PACKAGED CONNECTOR.
3. SEE PART DRAWINGS FOR DIMENSIONS E~G.
4. THIS PRODUCT IS THE CONNECTOR WITH CABLE LOCK MECHANISM.

mat'l. code				surface 58 / ISO 1302		tolerance ISO 406 / ISO 1101		projection		product family 58RF		CODE JP	
ltr		ecn no		dr		date		tolerances unless otherwise specified		title CAT NO. TABLE FOR PLASTIC TAPE PACKAGED 1mm SPACING SMT CONNECTOR (Cat. No. SFW__R-3/4STZE5LF)		dwg no 10091601	
c								angles linear					
										scale X		type Product Customer Drawing	
				dr		M. YAMAGUCHI 2009-10-27		engr		M. YAMAGUCHI 2009-10-27		Rev. C	
				chr		S. Kishida 2009-10-27		appd		S. Oudaru 2009-10-27			
sheet index		revision sheet											



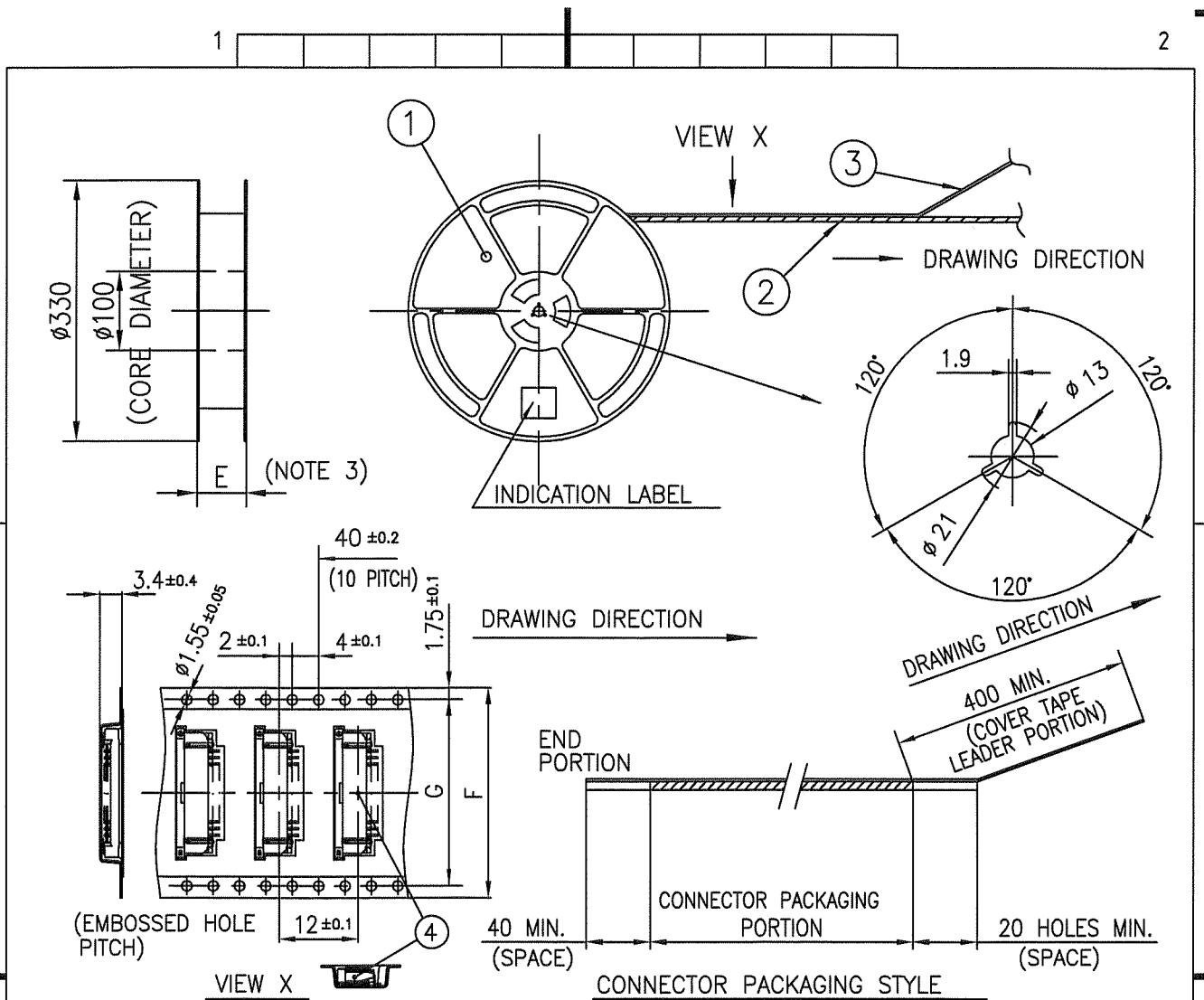
FCIconnect.com

Copyright FCI.



D

D

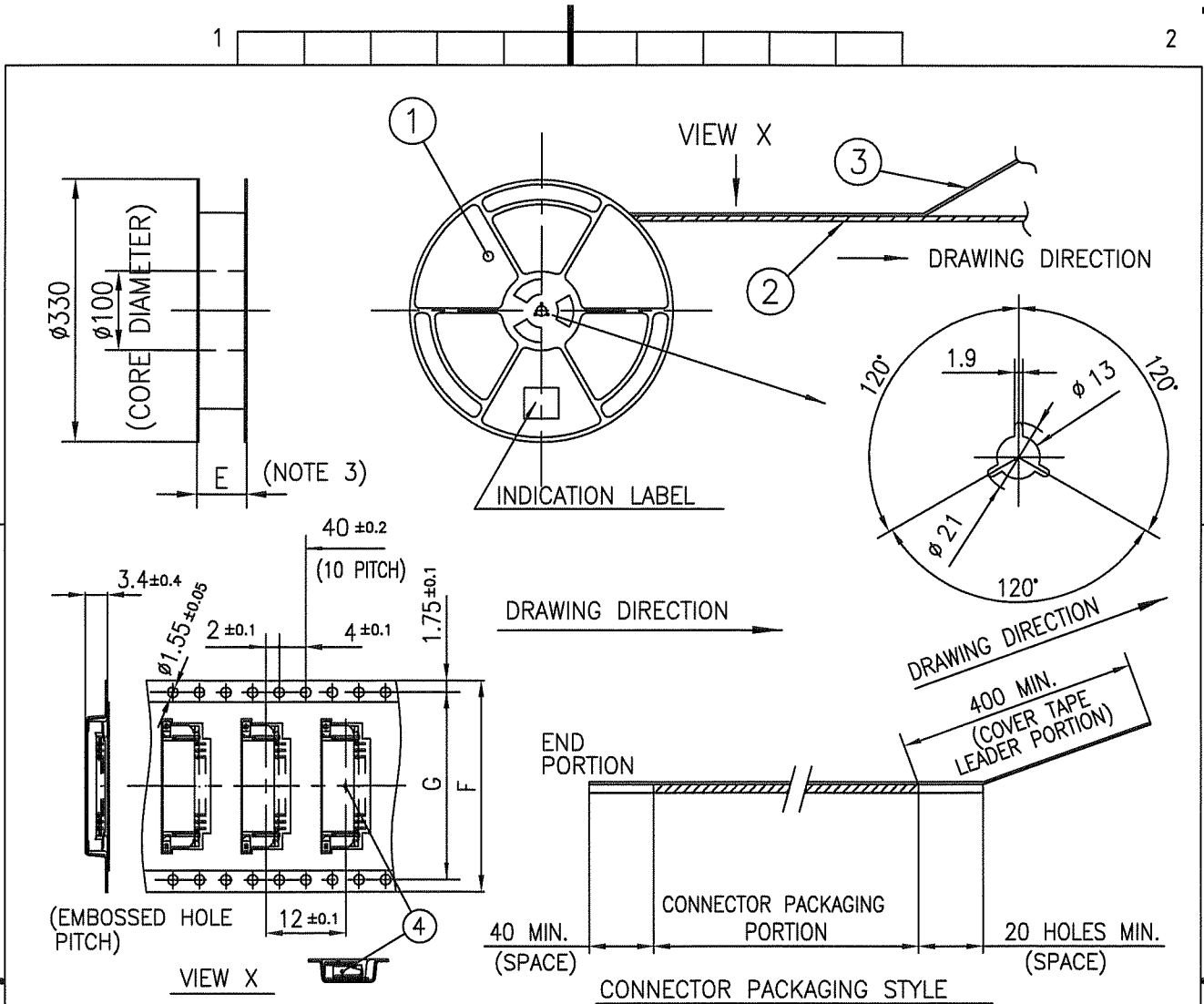


PT. NO.	PARTS NAME	CAT. NO.	MATERIAL	Q'TY	NOTE
1	REEL	_____	POLYSTYRENE	1	COLOR : WHITE/BLACK
2	PLASTIC (EMBOSS) TAPE	_____	PET	_____	COLOR : TRANSPARENCY
3	COVER	_____	POLYESTER	_____	COLOR : TRANSPARENCY
4	CONNECTOR	SFW__R-3STZ__LF	SEE ATTACHED DWG.	1500	LOWER CONTACT TYPE

NOTES

- THIS IS PLASTIC TAPE PACKAGED CONNECTOR WITH CABLE LOCK MECHANISM USED FOR FPC/FFC AND COPES WITH AUTOMATIC MOUNTING (SMT).
- SEE JIS C 0806 (PACKING OF ELECTRONIC COMPONENTS ON CONTINUOUS TAPES (SURFACE MOUNTING DEVICES)) FOR SHAPE AND DIMENSIONS OF PLASTIC (EMBOSS) TAPE AND REEL.
- E DIMENSION IS PORTION OF THE CORE.

mat'l. code		surface ISO 1302 <input checked="" type="checkbox"/>		tolerance ISO 406 <input checked="" type="checkbox"/>		projection		product family 58RF		CODE JP			
ltr		ecn no		dr		date		title		PLASTIC TAPE PACKAGED 1mm SPACING SMT CONNECTOR (Cat. No. SFW__R-3STZE5LF)			
c				angles		linear ±5		mm		dwg no			
				±5°				scale X		sheet 6 of 9			
				dr		M.YAMASHITA 2007-10-27				size			
				enr		M.YAMASHITA 2007-10-27				10091601		A4	
				chr		S. Watanabe 2007-10-27				type		Product Customer Drawing	
				appd		S. Madama 2007-10-27							
sheet index		revision sheet								Rev. C			



PT. NO.	PARTS NAME	CAT. NO.	MATERIAL	Q'TY	NOTE
1	REEL	—	POLYSTYRENE	1	COLOR : WHITE/BLACK
2	PLASTIC (EMBOSS) TAPE	—	PET	—	COLOR : TRANSPARENCY
3	COVER	—	POLYESTER	—	COLOR : TRANSPARENCY
4	CONNECTOR	SFW__R-4STZ__LF	SEE ATTACHED DWG.	1500	UPPER CONTACT TYPE

NOTES

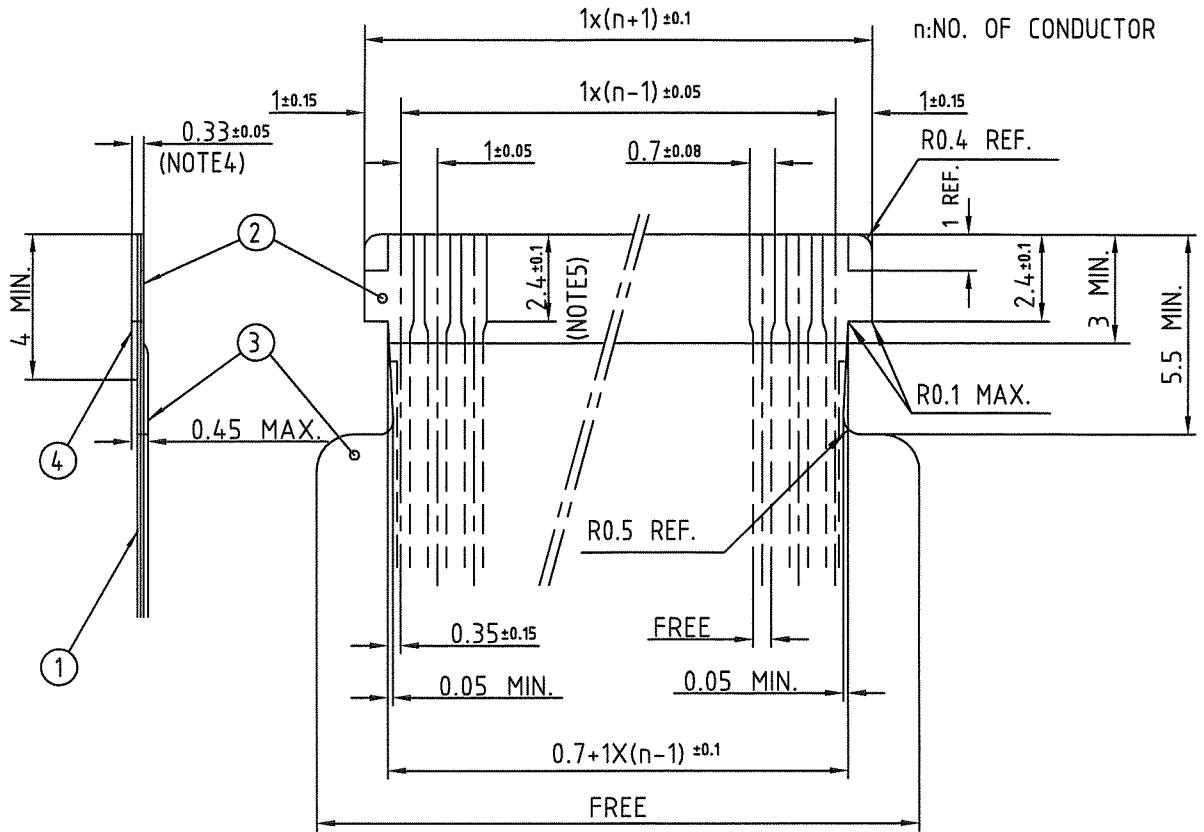
- THIS IS PLASTIC TAPE PACKAGED CONNECTOR WITH CABLE LOCK MECHANISM USED FOR FPC/FFC AND COPES WITH AUTOMATIC MOUNTING (SMT).
- SEE JIS C 0806 (PACKING OF ELECTRONIC COMPONENTS ON CONTINUOUS TAPES (SURFACE MOUNTING DEVICES)) FOR SHAPE AND DIMENSIONS OF PLASTIC (EMBOSS) TAPE AND REEL.
- E DIMENSION IS PORTION OF THE CORE.

mat'l. code		surface ISO 1302 <input checked="" type="checkbox"/>		tolerance ISO 406 ISO 1101		projection		product family 58RF		CODE JP	
ltr	ecn no	dr	date		tolerances unless otherwise specified				title PLASTIC TAPE PACKAGED 1mm SPACING SMT CONNECTOR (Cat. No. SFW__R-4STZE5LF)		
c					angles linear ±5°		mm		dwg no 10091601		
					±5°		scale X		sheet 7 of 9		
			dr M. YAMASHITA 2009-10-27						size A4		
			enr M. YAMASHITA 2009-10-27						type Product Customer Drawing		
			chr S. WILSON 2009-10-27						Rev. C		
			appd J. Oudam 2009-10-27								
sheet index		revision sheet									

FCJ
FCIconnect.com

Copyright FCI.

RECOMMENDED CABLE (FPC)

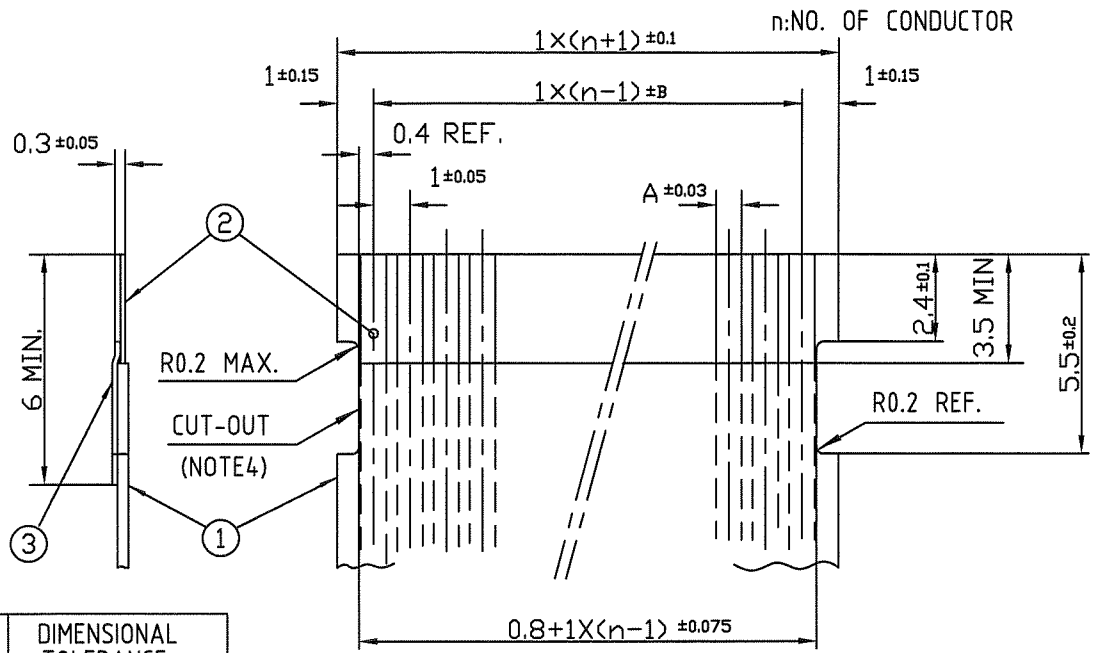


PT. NO.	PARTS NAME	MATERIAL	THICKNESS (um)
1	BASE FILM	POLYIMIDE OR POLYESTER OR EQUAL	25
2	CONDUCTOR	COPPER FOIL(PLATING : SOLDER 1um MIN.)	35
3	OVERLAY	POLYIMIDE OR POLYESTER OR EQUAL	—
4	SUPPORTING TAPE	POLYESTER OR POLYIMIDE OR EQUAL	188

- NOTES
1. THIS DRAWING INDICATES THE FPC USED THE CONNECTOR WITH CABLE LOCK MECHANISM.
 2. NO BURR AT EACH PORTION.
 3. NO PEELING IN COMMON USE.
 4. TOTAL THICKNESS LIMIT OF EACH MATERIAL (INCLUDING ADHESIVE AGENT) IS SPECIFIED.
 5. THIS DIMENSION INDICATES THE RANGE FOR 0.7 ± 0.08 CONDUCTOR WIDTH.
 6. A $\triangle B$ SYMBOL WILL BE NEXT TO ANY DIMENSION, VIEW, OR NOTE WHICH HAS BEEN MODIFIED WITH THE CURRENT DRAWING REVISION.


mat'l. code		surface 58 <input checked="" type="checkbox"/> tolerance ISO 406		projection		product family 58RF		CODE JP	
ltr		ecn no		dr		date		tolerances unless otherwise specified	
c				angles		linear		mm	
								scale X	
		dr		M. YAMASHITA		2009-10-27		dwg no	
		enrg		M. YAMASHITA		2009-10-27		sheet 8 of 9	
		chr		D. Nishida		2009-10-27		size A4	
		appd		D. Nishida		2009-10-27		10091601	
sheet index		revision sheet						type Product Customer Drawing	
								Rev. c	

RECOMMENDED CABLE (FFC)



KIND OF FFC (NOTE5)	DIMENSIONAL TOLERANCE	
	A	B
1	0.7	0.1
2	0.6	0.07

PT. NO.	PARTS NAME	MATERIAL	NOTE
1	INSULATOR	FLAME RESISTING POLYESTER OR EQUAL	
2	CONDUCTOR	COPPER FOIL	PLATING: TIN OR SOLDER 1um MIN.
3	SUPPORTING TAPE	FLAME RESISTING POLYESTER OR EQUAL	

- NOTES
- THIS DRAWING INDICATES THE FFC USED THE CONNECTOR WITH CABLE LOCK MECHANISM.
 - NO BURR AT EACH PORTION.
 - NO PEELING IN COMMON USE.
 - THERE IS A POSSIBILITY THAT THE CAT-OUT CROSSES THE CONDUCTOR BECAUSE OF DIMENSIONAL TOLERANCE.
 - EITHER KIND1 OR KIND2 OF FFC CAN ACCEPT DIMENSIONAL TOLERANCE a AND b.
 - A  SYMBOL WILL BE NEXT TO ANY DIMENSION, VIEW, OR NOTE WHICH HAS BEEN MODIFIED WITH THE CURRENT DRAWING REVISION.

mat'l. code		surface 58 / tolerance ISO 1302		tolerance ISO 406 / ISO 1101		projection		product family 58RF		CODE JP	
ltr		ecn no		dr		date		title		RECOMMENDED CABLE (Cat. No. SFW_R-3/4_)	
c				angles		linear		mm		scale X	
		dr		M. YAMASHITA		2009-10-27		dwg no		sheet 9 of 9 size	
		enrg		M. YAMASHITA		2009-10-27		10091601		A4	
		chr		S. Watanabe		2009-10-27		type		Product Customer Drawing	
		appd		J. Oshikiri		2009-10-27					
sheet index		revision sheet								Rev. c	



FCIconnect.com

Copyright FCI.