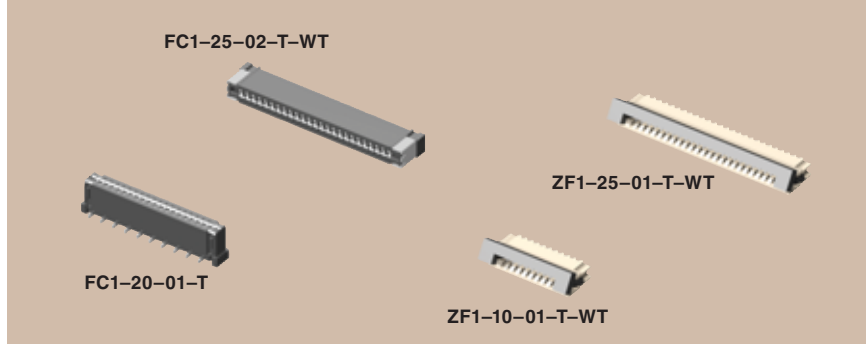


(1,00mm) .03937"

ZF1, FC1 SERIES



FPC/FFC SOCKET

Mates with:
FJ and flex cable with contact/stiffener thickness of (0,30mm) .012"

SPECIFICATIONS

For complete specifications and recommended PCB layouts see www.samtec.com?ZF1

Insulator Material: Liquid Crystal Polymer FILE NO. E111594

Contact Material: Phosphor Bronze

Plating: Sn over 40µ" (1,02µm) Ni

Weld Tab: Phosphor Bronze

Operating Temp Range: -55°C to +105°C

RoHS Compliant: Yes

Processing:

Max Processing Temp: 230°C for 60 seconds, or 260°C for 20 seconds 2x

Lead-Free Solderable: Yes

SMT Lead Coplanarity: (0,10mm) .004" max

Note: Some lengths, styles and options are non-standard, non-returnable.

ZF1	NO. OF POSITIONS	LEAD STYLE	PLATING OPTION	WT	OPTION
	-05, -10, -15, -16, -20, -25, -30	-01 = Contact Bottom	-T = Matte Tin	-WT = Weld Tab	-TR = Tape & Reel Packaging

ALSO AVAILABLE

Vertical, Contact Top and other positions available. Call Samtec.

APPLICATION

Mates with:
FJ and flex cable with contact/stiffener thickness of (0,30mm) .012"

SPECIFICATIONS

For complete specifications and recommended PCB layouts see www.samtec.com?FC1

Insulator Material: Liquid Crystal Polymer FILE NO. E111594

Contact Material: Phosphor Bronze

Plating: Tin over 50µ" (1,27µm) Ni

Current Rating: 2A @ 80° ambient

Operating Temp Range: -55°C to +105°C

Max Cycles: 25 with FJ

RoHS Compliant: Yes

Processing:

Max Processing Temp: 230°C for 60 seconds

Lead-Free Solderable: Yes

SMT Lead Coplanarity: (0,10mm) .004" max

Note: Some lengths, styles and options are non-standard, non-returnable.

FC1	NO. OF POSITIONS	LEAD STYLE	PLATING OPTION	OPTIONS
	-05, -10, -15, -20 & -25	-01 = Vertical -02 = Horizontal	-T = Tin	-LC = Locking Clip (-01 only) -WT = Weld Tab (-02 only) -K = (4,00mm) .158" DIA Polyimide film Pick & Place Pad (-01 only) -TR = Tape & Reel Packaging

APPLICATION SPECIFIC OPTION

Low insertion force contacts available. Call Samtec.

Due to technical progress, all designs, specifications and components are subject to change without notice.

WWW.SAMTEC.COM