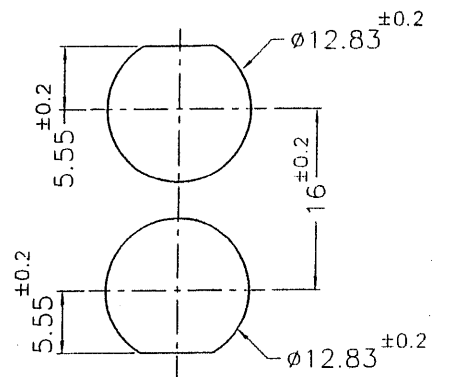
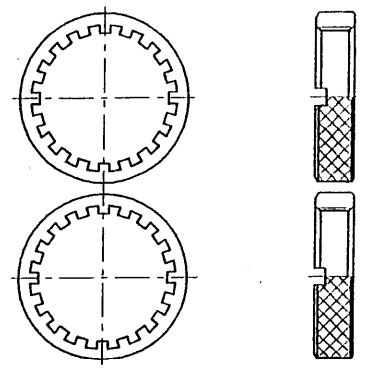
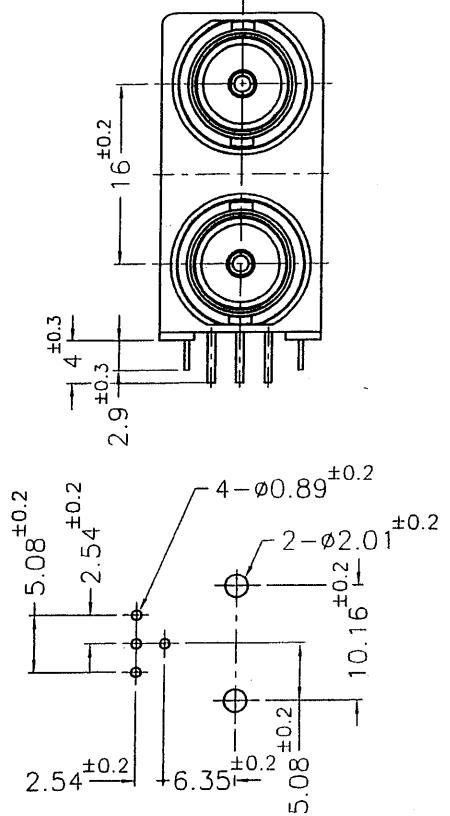
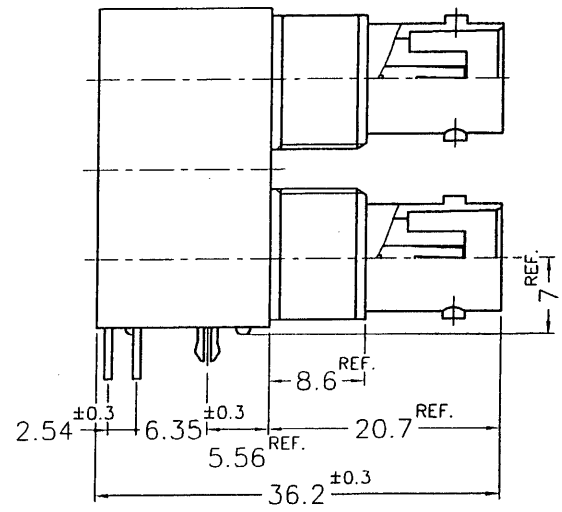
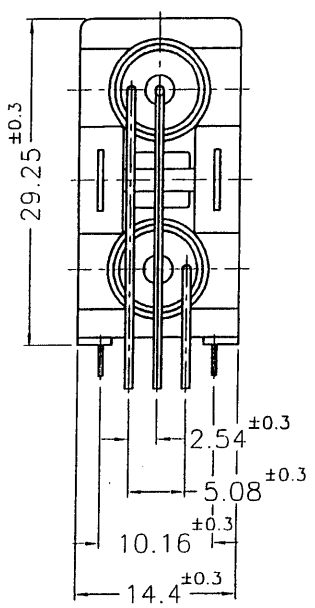


ISS		ZONE	DESCRIPTION\PER REQUEST\DATE
A3	B-1		NOTE 5 WAS CHANGED\N/A\05-10-05'
A4	B-1		NUT WAS CHANGED\ECO#45638\07-25-05'



PCB MOUNTING HOLE (印刷电路板架設孔)  
RECOMMENDED MOUNTING HOLE (建議架設孔)

NOTES: FINISH (PLATING THICKNESS IN MICRO-INCHES)  
 1. BRASS PER QQ-B-626  
 2. ZINC DIECAST  
 3. NICKEL PL. 100 MIN. THICK OVER COPPER STRIKE  
 4. PHOSPHOR BRONZE PER QQ-B-750  
 5. GOLD FLASH OVER COPPER STRIKE AT MATING AREA.  
 BRIGHT TIN PL. 80 MIN. THICK OVER COPPER PL. 100 MIN. THICKE AT TAIL.  
 6. BRIGHT TIN PL. 80 MIN. THICK OVER COPPER PL. 100 MIN. THICK  
 7. POLYPROPYLENE UL 94HB  
 8. PBT (UL 94 V-0)  
 9. NICKEL PL. 80 MIN. THICK OVER COPPER STRIKE

DIMENSIONS ARE IN MILLIMETERS					PART NO.				
NUT	NOTE 1	NOTE 9	2		APPROVED <i>SCH</i> DATE 07-25-05'				
LOCK WASHER	S50C	NOTE 9	2		CHECKED <i>SCH</i> DATE 07-25-05'				
MOUNTING POST	NOTE 1	NOTE 6	2		DRAWN <i>Amphenol</i> DATE 07-25-05'				
POST	COPPER	NOTE 6	4		FILE NO. F:\DWG\B\705000\50\NPB3G-A4SZ				
HOUSING	NOTE 8	NATURAL	1		TITLE DUAL PORT BNC R/A PCB MOUNT RECEPTACLE				
CONTACT PIN	NOTE 4	NOTE 5	2		DRAWING NO. B705000-NPB3G-50				
INSULATOR	NOTE 7	NATURAL	2		ITEM NO. 017050AAA00MA5F				
BODY	NOTE 2	NOTE 3	2						
NO.	DESCRIPTION	MATERIAL	FINISH	Q'TY	DRAWING NO.	SCALE	1.5/1	ISSUE	A4

**Amphenol**  
Danbury, CT, USA - Tainan, Taiwan - Shenzhen, China