

**D-SUB Connector**

**SPECIFICATIONS**

**Mechanical**

**Contact Retention Force:** 1.36kg (3.00Lb) min.  
**Contact Engagement Force:** 0.34kg (0.75Lb) max.  
**Contact Separation Force:** 0.021kg (0.05Lb) min.  
**Durability:** 500 Cycles

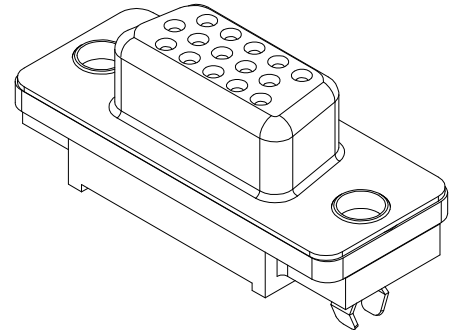
**Electrical**

**Current Rating:** 2A  
**Contact Resistance:** 15mW max.  
**Dielectric Withstanding Voltage:** 1000V AC/1min min.  
**Insulation Resistance:** 5000MW min.

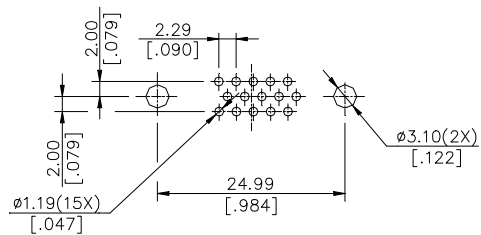
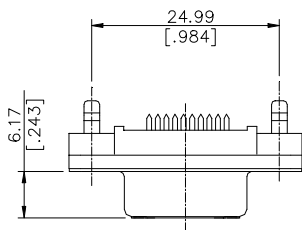
**Physical**

**Housing:** Thermoplastic, UL 94V-0 rated in Blue 661C Color  
**Contact:** Copper alloy  
**Plating:** See "ORDERING INFORMATION"  
**Operating Temperature:** -20 to +85  
**Recommended Thickness of PCB:** 1.57[.062]

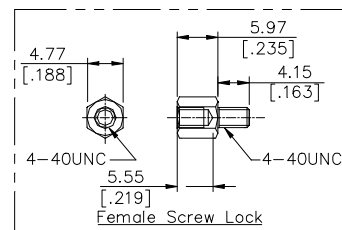
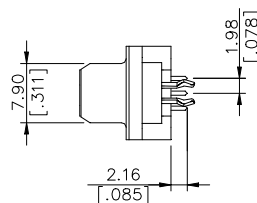
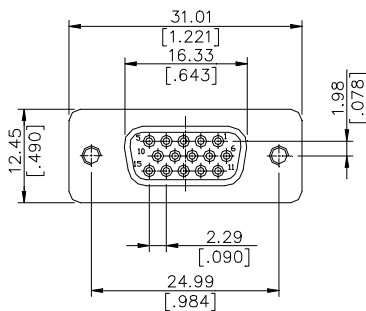
**ZD Series**  
**Vertical Type, T/H**  
**2.29mm [.090"] Pitch**  
**15 Pos.**



**DRAWING**



RECOMMENDED P.C.B. LAYOUT



**ORDERING INFORMATION**

**PRODUCT NO.:** ZD A D A \*-155\* - AF

- D-SUB Series
- Body Type
- A=Straight PCB Mount
- Termination Type
- D=Socket Low Profile
- No. of Pos.
- A=H/D 15 Pos.
- Contact Area Plating
- 1=Gold Flash
- 2=20u" Gold
- 3=30u" Gold
- Packing Code
- Extension Code
- 1559=With Female Screw Lock
- 1558=Without Female Screw Lock