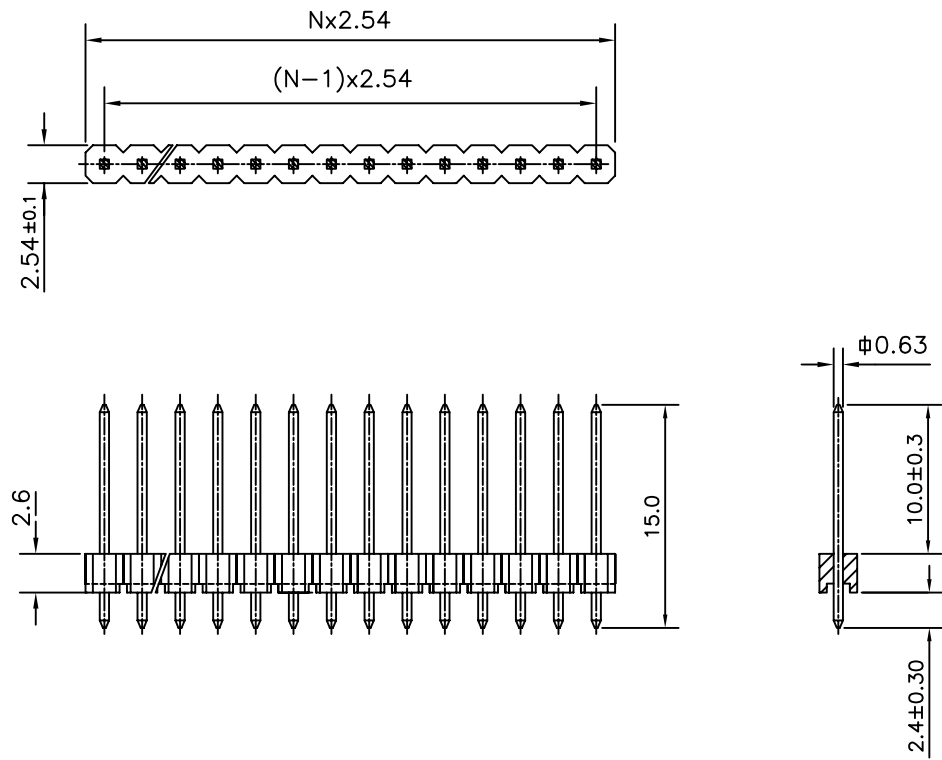
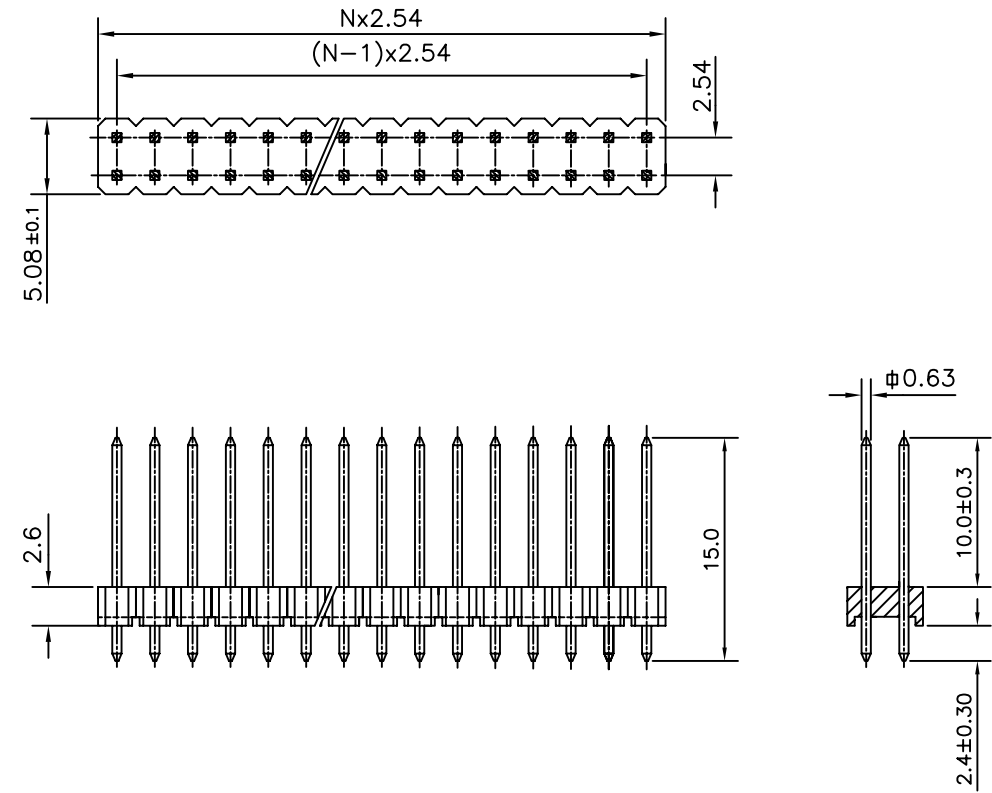


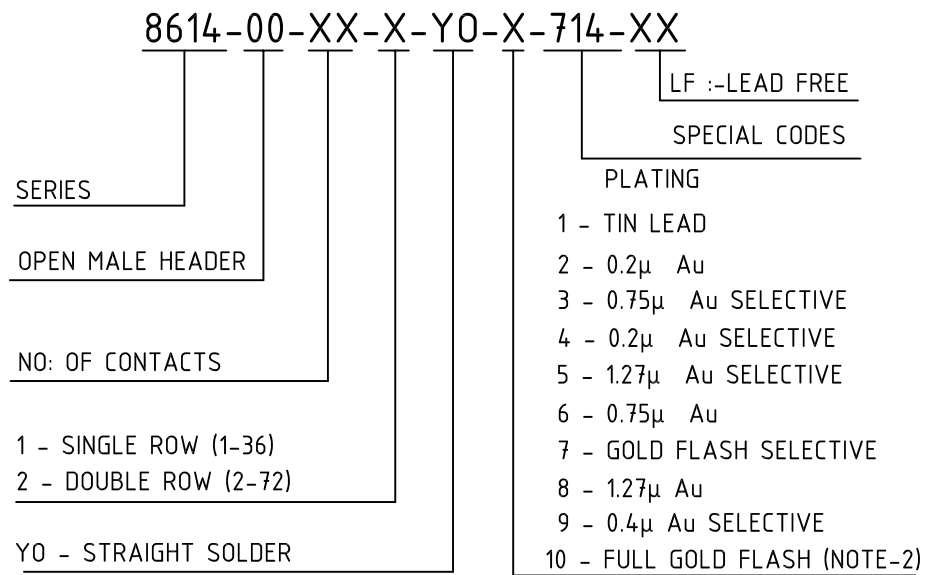
SINGLE ROW (1 YO)



DOUBLE ROW (2 YO)



ORDERING INFORMATION



NOTES :

1. THE PRODUCT (LF) MEETS EUROPEAN UNION DIRECTIVES AND OTHER COUNTRY REGULATIONS AS DESCRIBED IN GS-22-008
2. SHELF LIFE : SIX MONTHS FROM DATE OF MANUFACTURING

TECHNICAL SPECIFICATION

INSULATOR MATERIAL : SELF EXTINGUISHING THERMOPLASTIC (UL94 VO)
 CONTACT MATERIAL : COPPER ALLOY
 MAXIMUM VOLTAGE : 1000 V rms.
 NOMINAL CURRENT : 3A AT 20°C
 INSULATION RESISTANCE : ≥ 5000 M Ω
 CONTACT RESISTANCE : ≤ 20 m Ω
 CLIMATIC CATAGORY : -55°C TO +125°C / 21 DAYS EXPOSURE TO- INDUSTRIAL ENVIRONMENT HUMIDITY TEST AS HE-14.

mat'l. code		surface		tolerance		projection		product family	
REF TECH SPEC		ISO 1302 <input checked="" type="checkbox"/>		ISO 406 ISO 1101				8614	
ltr		ecn no		dr		date		title	
A		107-0069		AB		2007-06-04		OPEN HEADER	
B		108-0006		MINI		2008-01-17		(STRAIGHT SOLDER)	
								scale -	
								MM	
								dwg no	
								sheet 1 of 1	
								size	
								A3	
								type	
								Product Customer Drawing	
sheet index		revision sheet		B		1			