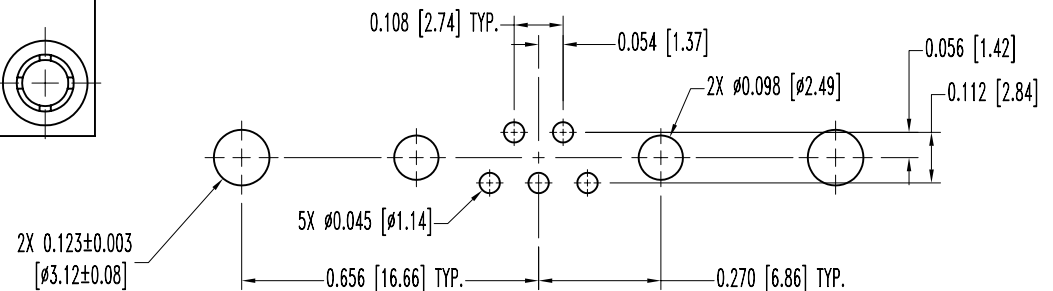
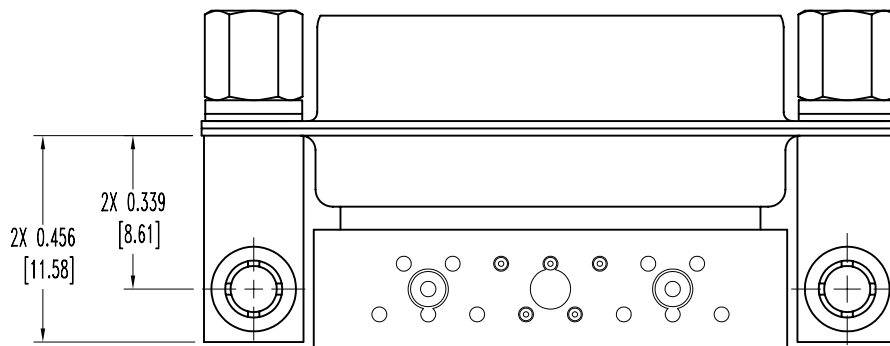
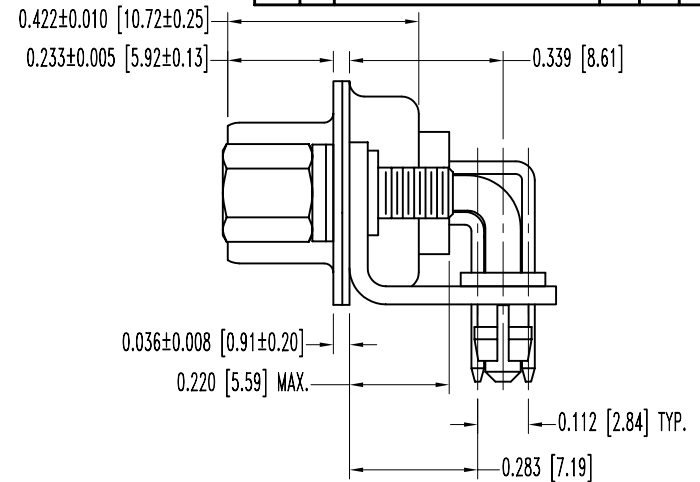
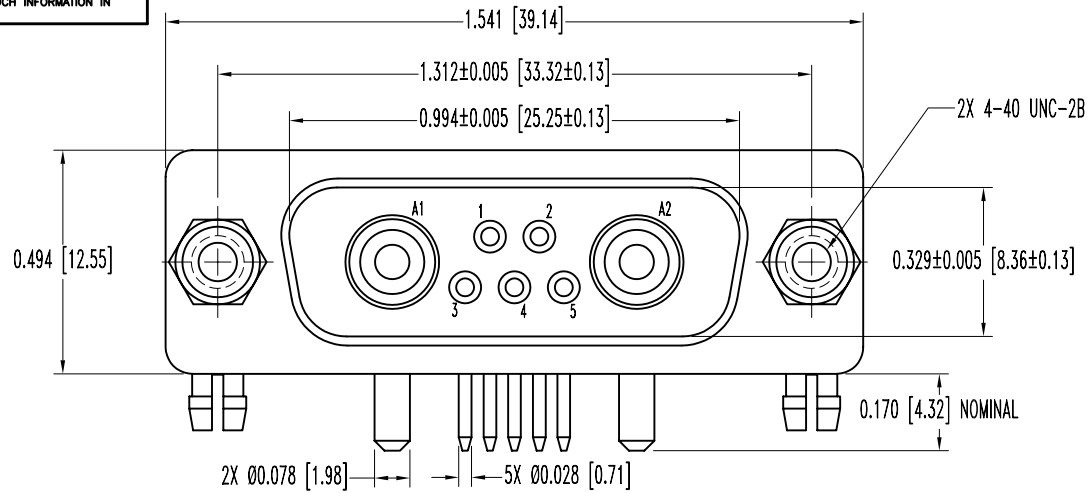


SK5193

POSITRONIC INDUSTRIES BELIEVES THE DATA ON THIS DRAWING TO BE RELIABLE. SINCE THE TECHNICAL INFORMATION IS GIVEN FREE OF CHARGE, THE USER EMPLOYS SUCH INFORMATION AT HIS OWN DISCRETION AND RISK. POSITRONIC INDUSTRIES ASSUMES NO RESPONSIBILITY FOR RESULTS OBTAINED OR DAMAGES INCURRED FROM USE OF SUCH INFORMATION IN WHOLE OR IN PART.

| DATE | REV | REVISION RECORD | APP | DR | CK |
|---------|-----|-----------------|-----|----|----|
| 11-4-03 | NC | ECO 21650 | | YK | |
| | | | | | |
| | | | | | |



NOTES:

1. MATERIALS AND FINISHES:

- INSULATOR: GLASS FILLED POLYESTER PER MIL-M-24519 UL 94V-0, COLOR: BLUE.
- SIGNAL CONTACTS: BRASS ALLOY WITH GOLD FLASH OVER NICKEL OVER COPPER PLATE.
- POWER CONTACTS: BRASS ALLOY WITH GOLD FLASH OVER NICKEL OVER COPPER PLATE.
- SHELLS: STAINLESS STEEL, PASSIVATED.
- MOUNTING BRACKETS: BRASS, ZINC PLATE WITH DICROMATE SEAL.
- PUSH ON FASTENERS: COPPER ALLOY WITH TIN PLATE.
- JACKSCREWS: STEEL WITH ZINC PLATE AND DICROMATE SEAL.

2. ELECTRICAL CHARACTERISTICS:

- SIGNAL CONTACTS:
- CONTACT CURRENT RATING: 7.5 AMPERES NOMINAL.
- INITIAL CONTACT RESISTANCE: 0.008 OHMS MAXIMUM.
- POWER CONTACTS:
- CONTACT CURRENT RATING: 15 AMPERES NOMINAL.
- INITIAL CONTACT RESISTANCE: 0.005 OHMS MAXIMUM.
- INSULATOR RESISTANCE: 5 G OHMS.
- WORKING VOLTAGE: 300 V r.m.s.

3. TEMPERATURE RANGE: -55°C TO +125°C.

4. DIMENSIONS ARE IN INCHES [MILLIMETERS].

CONTACT HOLE PATTERN

| | | |
|-------------------------------|----------------------------------------------------------------|---------------------------------|
| | POSITRONIC INDUSTRIES INC. www.connectpositronic.com | |
| | DECIMAL TOL. ± 0.015 [0.38] | TITLE CBD7W2M55R7NT2S |
| ANGULAR TOL. $\pm 5^\circ$ | DATE 11-4-03 | DRAWING NUMBER SK5193 |
| SCALE N.T.S. | DRAWN BY YK | REV. NC |
| APPROVED BY | CBD SERIES | APPROVED BY |