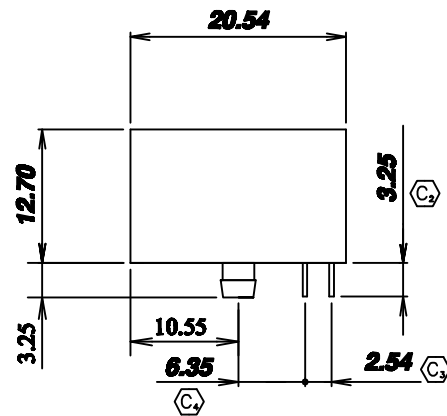
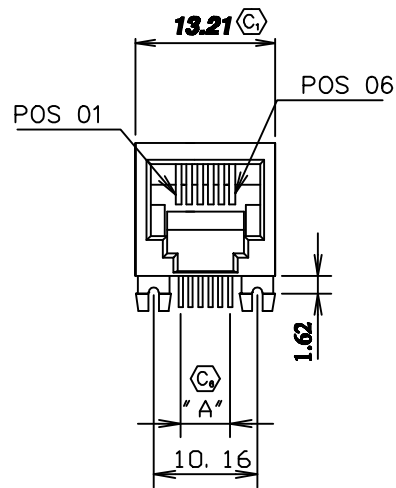


REVISION J

DO NOT SCALE FROM THIS PRINT



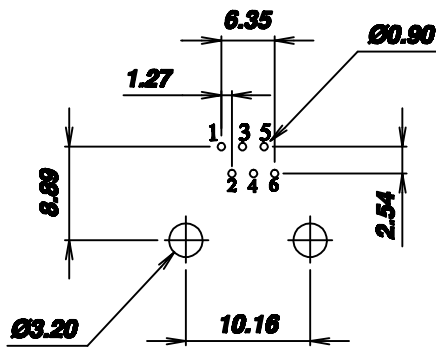
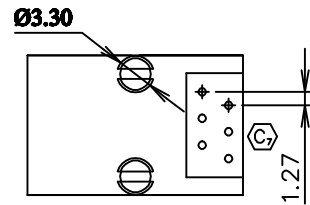
MODS-A-6PXC-X

TYPE ————
-A

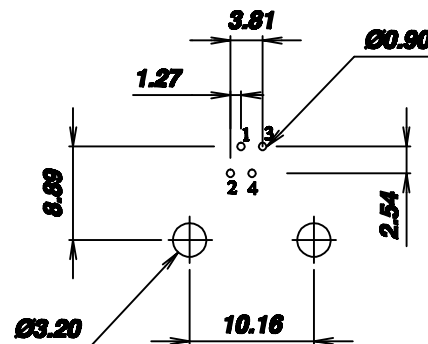
POSITIONS/CONTACTS ————
-6P4C: 6 Pos/4 Con
-6P6C: 6 Pos/6 Con

Ⓢ PLATING ————
-G: .000010" Au
-H: .000030" Au
-E: .000050" Au

(SEE NOTE 2)



PCB LAYOUT
-6P6C



PCB LAYOUT
-6P4C

NOTES:

1. Ⓢ REPRESENTS A CRITICAL DIMENSION
2. PLATING APPLIES TO MATING AREA, GOLD FLASH ON TAILS.
3. PART IS RoHS COMPLIANT.

UNLESS OTHERWISE SPECIFIED,
DIMENSIONS ARE IN MM.
TOLERANCES ARE:
DECIMALS ANGLES
X.XX±0.25 ±3
X.XXX±0.13
X.XXXX±0.05

PROPRIETARY NOTE
THIS DOCUMENT CONTAINS INFORMATION
CONFIDENTIAL AND PROPRIETARY TO
SAMTEC INC. AND SHALL NOT BE
REPRODUCED OR TRANSMITTED TO
OTHER DOCUMENTS OR DISCLOSED TO
OTHERS OR USED FOR ANY PURPOSE
OTHER THAN THAT FOR WHICH IT WAS
OBTAINED WITHOUT THE EXPRESSED
WRITTEN CONSENT OF SAMTEC INC.

samtec

520 PARK EAST BLVD. NEW ALBANY, IN 47150
(812) 944-6733 P.O. BOX 1147 TWX: 810-540-4085

DO NOT SCALE DRAWING
INSULATOR: PBT 20% Glass Filled (UL 94V-0) Black
CONTACT: Phosphor Bronze

SHEET SCALE: 1:2

DESCRIPTION:
RJ11 or RJ12 Side Entry PCB Jack

DWG. NO.
MODS-A-6PXC-X

F:\DWG\MISC\MKTG\

BY: J. Riley 12/31/2003 SHEET 1 OF 2

CODE: 553322