

REVISION H

DO NOT SCALE FROM THIS PRINT

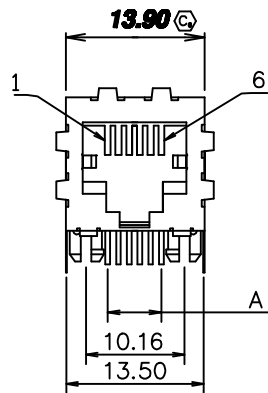
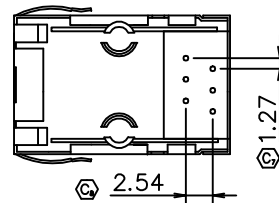
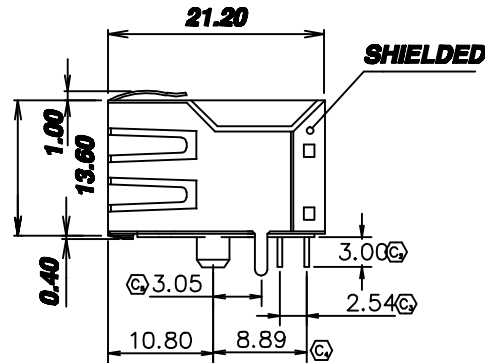


FIG 1
-S4 OPTION



MODS-A-6PXC-X-XX

TYPE
-A

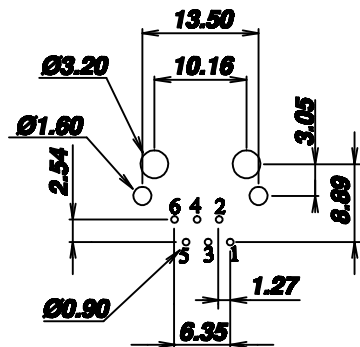
POSITIONS/CONTACTS
-6P4C: 6 Pos/4 Con
-6P6C: 6 Pos/6 Con

Ⓢ PLATING
-G: .000015" Au
-H: .000030" Au
-E: .000050" Au
(SEE NOTE 2)

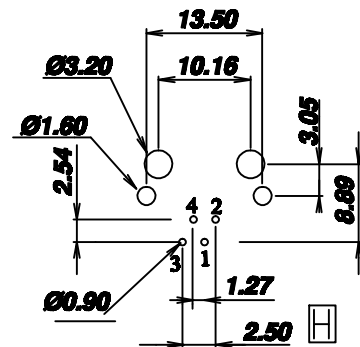
SHIELD
-S: SHIELDED
-S4: SHIELDED WITH PANEL GROUNDS ON TOP, BOTTOM, AND SIDES

NOTES:

1. Ⓢ REPRESENTS A CRITICAL DIMENSION
2. PLATING APPLIES TO MATING AREA, GOLD FLASH ON TAILS
3. NOTE DELETED
4. PART IS RoHS COMPLIANT



PCB LAYOUT
-6P6C



PCB LAYOUT
-6P4C

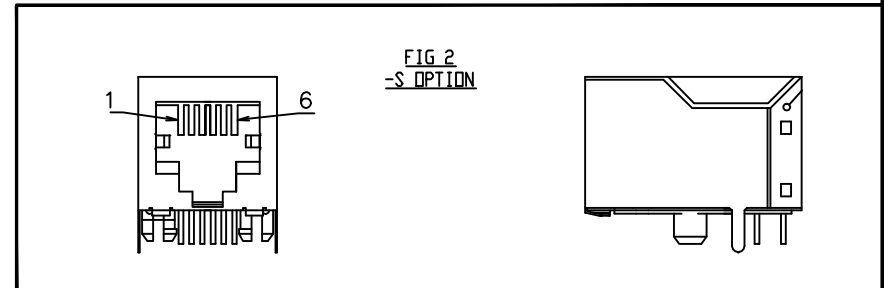


FIG 2
-S OPTION

<p>UNLESS OTHERWISE SPECIFIED, DIMENSIONS ARE IN MM. TOLERANCES ARE:</p> <p>DECIMALS ANGLES</p> <p>X.XX±0.25 ±3</p> <p>X.XXX±0.13</p> <p>X.XXXX±0.05</p>	<p>PROPRIETARY NOTE</p> <p>THIS DOCUMENT CONTAINS INFORMATION CONFIDENTIAL AND PROPRIETARY TO SAMTEC INC. AND SHALL NOT BE REPRODUCED OR TRANSFERRED TO OTHER DOCUMENTS OR DISCLOSED TO OTHERS OR USED FOR ANY PURPOSE OTHER THAN THAT FOR WHICH IT WAS OBTAINED WITHOUT THE EXPRESSED WRITTEN CONSENT OF SAMTEC INC.</p>	<p>samtec</p> <p>520 PARK EAST BLVD. NEW ALBANY, IN 47150 (812) 944-6733 P.O. BOX 1147 TWX: 810-540-4085</p>	<p>CODE: 55322</p>

F:\DWG\MISC\MKMG