

0.325" Pitch, Series #4

PHYSICAL PROPERTIES

HOUSING MATERIAL: Polyamide
FLAMMABILITY: UL94V-0
COLOR: Black

TERMINAL

TERMINALS: Bright acid tin over copper alloy
SCREWS: #4-40 steel, zinc plating with clear chromate coating. Wire clamping screw standard. Binding head screw with undercut optional.

MECHANICAL

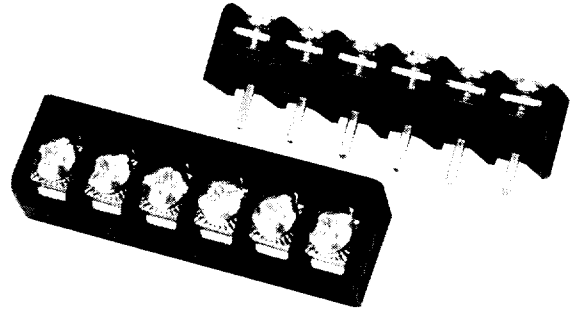
PITCH (TERMINAL SPACING): 0.325"
RECOMMENDED PCB HOLE DIA.: 1.8mm (.073")
RECOMMENDED TIGHTENING TORQUE: 7 in.-lbs. max.

ELECTRICAL PROPERTIES

MAXIMUM CURRENT: 20A
OPERATING VOLTAGE: 150V/300V (limited rating)
WIRE RANGE: 14-22 AWG

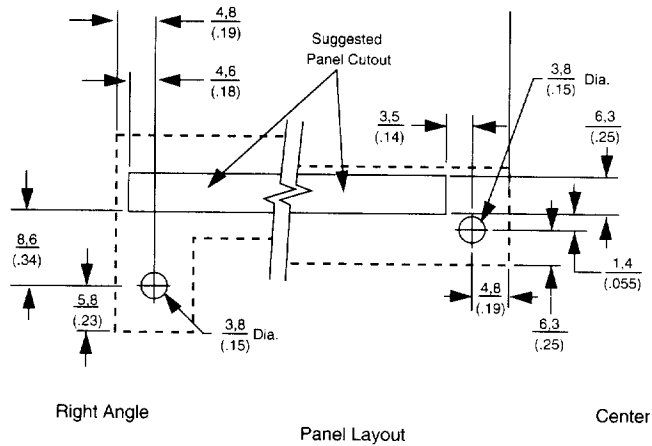
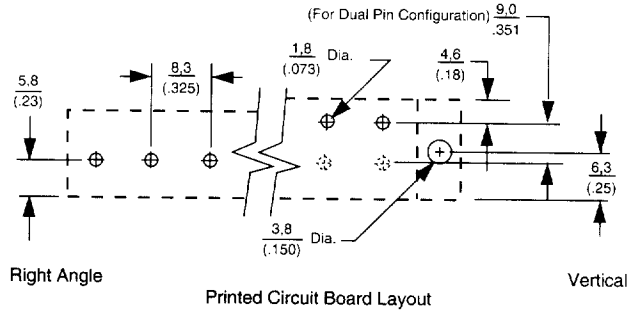
ENVIRONMENTAL PROPERTIES

OPERATING TEMPERATURE RANGE: 105°C max.



4PCV-06

Note: Before ordering, see Cross Reference in Section 15 for equivalent Tyco Electronics Part Number.



For complete product information, order Catalog 1308389



0.325" Pitch, Series #4

ORDERING INFORMATION

4 PCV-04-004

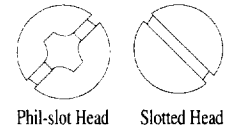
A **B** **C** **D**

A Screw Size Spacing
4 = #4-40 on .325" Centers

C No. of Circuits (Not Positions)
02 through 32

B Terminal Style
DBL = Double Printed Circuit Pin
PCR = Printed Circuit, Right Angle
PCV = Printed Circuit Pin, Vertical
WWV = Solderless Wire Wrap, Vertical

D Modifiers
Use table below.
Note: If modifier is -000
it may be omitted. (4PCV-06)



Note: Before ordering, see Cross Reference in Section 15 for equivalent Tyco Electronics Part Number.

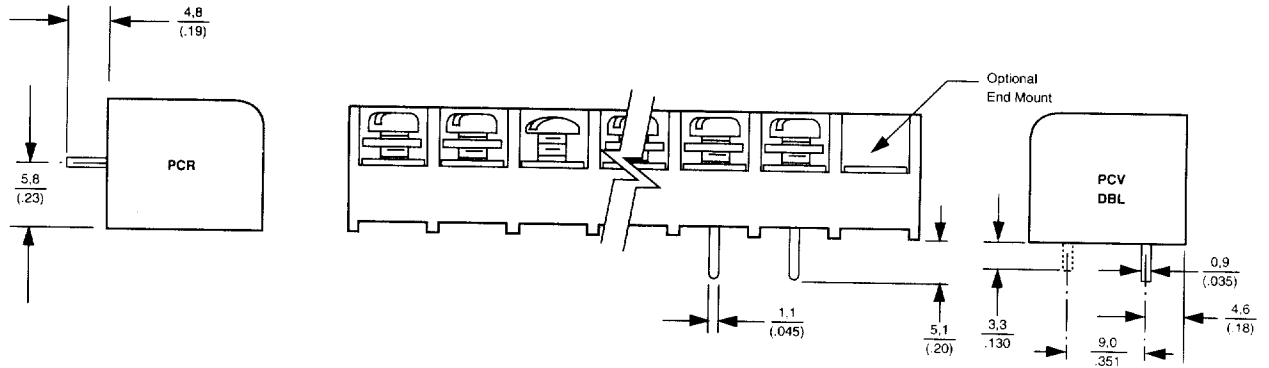
Terminal Style	Modifier Slotted Head	Modifier Phil-slot Head	Screw Style	Mounting Construction
DBL	000	006	Wire Clamp	No Mounting
	001	007	Binding Head	
PCV	000	006	Wire Clamp	No Mounting
	001	007	Binding Head	
	004	008	Wire Clamp	
	005	009	Binding Head	
PCR	000	006	Wire Clamp	No Mounting
	001	007	Binding Head	
	004	008	Wire Clamp	
	005	009	Binding Head	
WWV	000	006	Wire Clamp	
	001	007	Binding Head	
	004	008	Wire Clamp	No Mounting
	005	009	Binding Head	

For complete product information, order Catalog 1308389



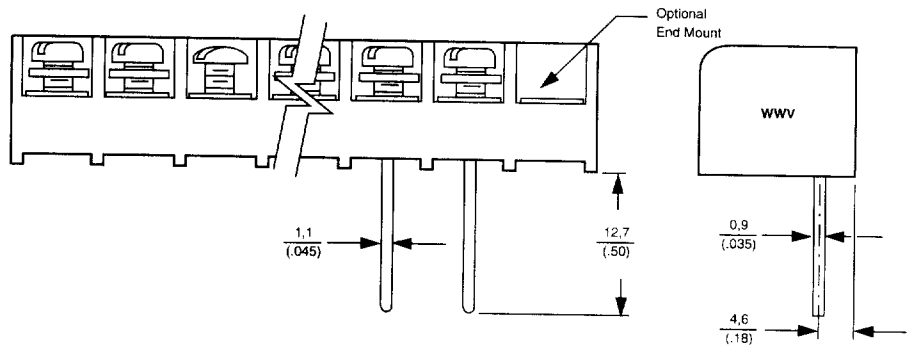
0.325" Pitch, Series #4

Printed Circuit Pin



Wire Wrap

#4 WWR Not available



For complete product information, order Catalog 1308389

