

6

5

4

3

2

1

MATERIAL AND FINISH:

Insulator: Glass filled Polyester, color black,
UL-94V-0 rated
Shield: 0.25mm thick Bronze, Nickel plated
Contacts: 0.35mm thick Phosphor Bronze,
Gold plated (see chart) over Nickel in
contact area, Tin plated over Nickel in
solder area.

MECHANICAL SPECIFICATIONS:

Life cycle: 750 cycles min.
Solder temperature: 235°C max.
Solder Time: 5 sec max.

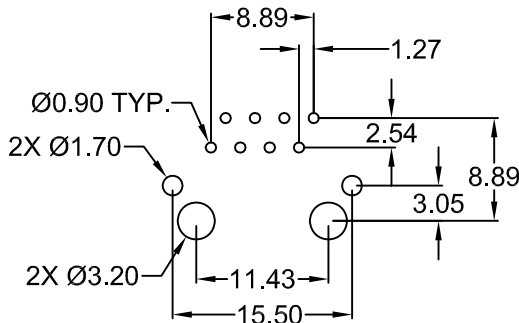
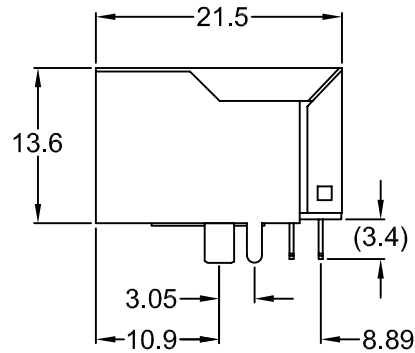
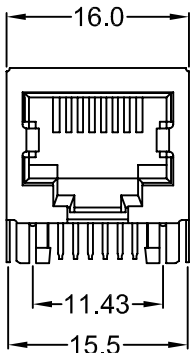
ELECTRICAL SPECIFICATIONS:

Rated current: 1.5 A
Rated voltage: 125 VAC rms
Contact resistance: 40 mohms max.
Insulation resistance: 1000 Mohms min. at
500 VDC
Dielectric withstanding voltage: 1000 VAC rms 60Hz
for 1 minute

ENVIRONMENTAL:

Storage temperature: -40°C to +85°C
Operating temperature: 0°C to 70°C

Mates with modular plug conforming to FCC part 68,
subpart F.



RECOMMENDED
PCB LAYOUT (TOP VIEW)

RoHS
COMPLIANT

REV	DATE	CHANGE		CHNG CHECK APPR		
		8/10/01	REV'D, UPD & ADD DIM.	TD	PB	PB
		A	ADD REHS: SOLDER SPEC			
		B				

P/N	PLATING
PHJ-8P8C-1S-8	6 µ" OF GOLD
PHJ-8P8C-1S-8-2	15 µ" OF GOLD
PHJ-8P8C-1S-8-4	30 µ" OF GOLD
PHJ-8P8C-1S-8-5	50 µ" OF GOLD

TOLERANCE UNLESS OTHERWISE SPECIFIED	
X	± 1
X.X	± 0.4
X.XX	± 0.20
DRAWN BY	TD
DATE:	07/29/99
CHECK BY	PAJ
DATE:	7/29/99
APPR BY	SS
DATE:	7/29/99

Power Dynamics, Inc.

Phone: 973 560-0019 Whippany, New Jersey Fax: 973 560-0076

PART:8P8C MODULAR TELEPHONE
JACK, SHIELDED

PART #: PHJ-8P8C-1S-8-X		SHEET 1 of 1
SIZE: A	ALL DIMENSIONS FOR REFERENCE ONLY DIMENSIONS ARE IN MILLIMETERS	REV: B
SCALE: NTS		

6

5

4

3

2

1