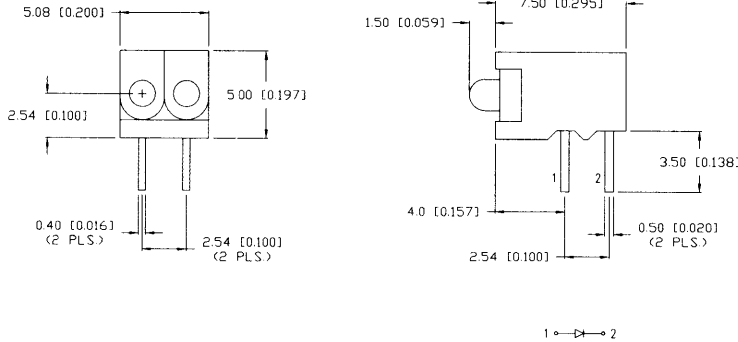




SSF-H1230XX-2 Series

T-2mm Single Tower, 2 Unit, Front-Back Leads



FEATURES / OPTIONS

- State-of-the-Art, Very High Intensity Chip Technology
- Small LED Lighted Lens (2.0mm Ø)
- Vertical Positioning (90° to the Board)
- Multi-Unit Construction
- Polarity Orientation Locking Holder
- Choice of Colors and Lenses
- Low Current Versions 1-2mA (If)
- Dual Side-by-Side Package
- Color Combinations

APPLICATIONS / USES

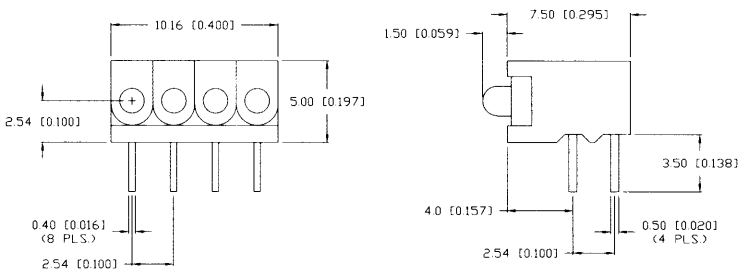
- Board Level Status Indicators
- Board Level Fault Indicators
- Warning/Alarm Signaling
- Circuit Fault Finder Indicators
- Backlighting Panel Overlays

Lumex Part Number	Dice Material	Emitted Color	Peak (nm)	Epoxy Lens	Operating Current (mA)	Operating TYP. Vf (V)	Brightness		View Angle° 2x THETA	Component LED Used
							TYP. mcd	@ mA		
HIGH BRIGHTNESS										
SSF-H1230SID-2	AllInGaP	Super High Intensity Red	636	Red Diffused	5-25	2.0	120	20	70	SSL-LX20333SID
SSF-H1230SOD-2	AllInGaP	Super Orange	610	Orange Diffused	5-25	2.0	120	20	70	SSL-LX20333SOD
SSF-H1230SPGD-2	AllInGaP	Super Pure Green	562	Green Diffused	5-25	2.2	70	20	70	SSL-LX20333SPGD
SSF-H1230SYD-2	AllInGaP	Super Yellow	590	Yellow Diffused	5-25	2.0	120	20	70	SSL-LX20333SYD
SSF-H1230USBD-2	InGaN/SiC	Ultra Super Blue	470	Blue Diffused	5-25	3.5	100	20	70	SSL-LX20333USBD

PCB INDICATORS

SSF-H1230XX-4 Series

T-2mm Single Tower, 4 Unit, Front-Back Leads



FEATURES / OPTIONS

- State-of-the-Art, Very High Intensity Chip Technology
- Small LED Lighted Lens (2.0mm Ø)
- Vertical Positioning (90° to the Board)
- Multi-Unit Construction
- Polarity Orientation Locking Holder
- Choice of Colors and Lenses
- Low Current Versions 1-2mA (If)
- Quad Side-by-Side Package
- Color Combinations

APPLICATIONS / USES

- Board Level Status Indicators
- Board Level Fault Indicators
- Warning/Alarm Signaling
- Circuit Fault Finder Indicators
- Backlighting Panel Overlays

Lumex Part Number	Dice Material	Emitted Color	Peak (nm)	Epoxy Lens	Operating Current (mA)	Operating TYP. Vf (V)	Brightness		View Angle° 2x THETA	Component LED Used
							TYP. mcd	@ mA		
HIGH BRIGHTNESS										
SSF-H1230SID-4	AllInGaP	Super High Intensity Red	636	Red Diffused	5-25	2.0	120	20	70	SSL-LX20333SID
SSF-H1230SOD-4	AllInGaP	Super Orange	610	Orange Diffused	5-25	2.0	120	20	70	SSL-LX20333SOD
SSF-H1230SPGD-4	AllInGaP	Super Pure Green	562	Green Diffused	5-25	2.2	70	20	70	SSL-LX20333SPGD
SSF-H1230SYD-4	AllInGaP	Super Yellow	590	Yellow Diffused	5-25	2.0	120	20	70	SSL-LX20333SYD
SSF-H1230USBD-4	InGaN/SiC	Ultra Super Blue	470	Blue Diffused	5-25	3.5	100	20	70	SSL-LX20333USBD