

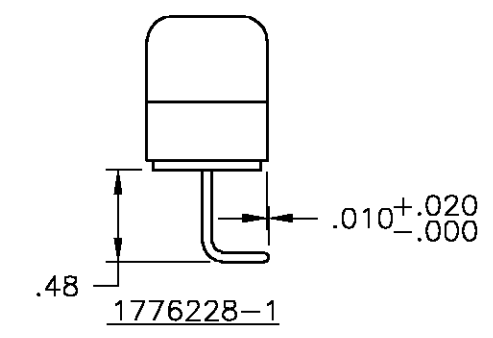
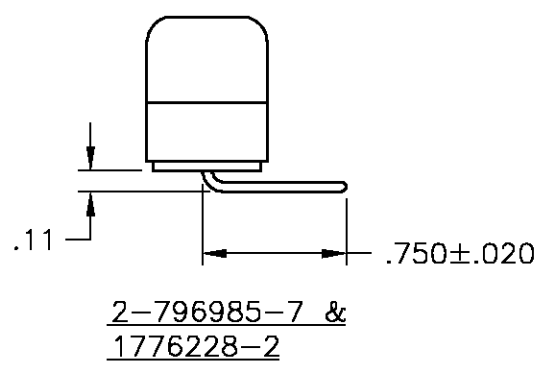
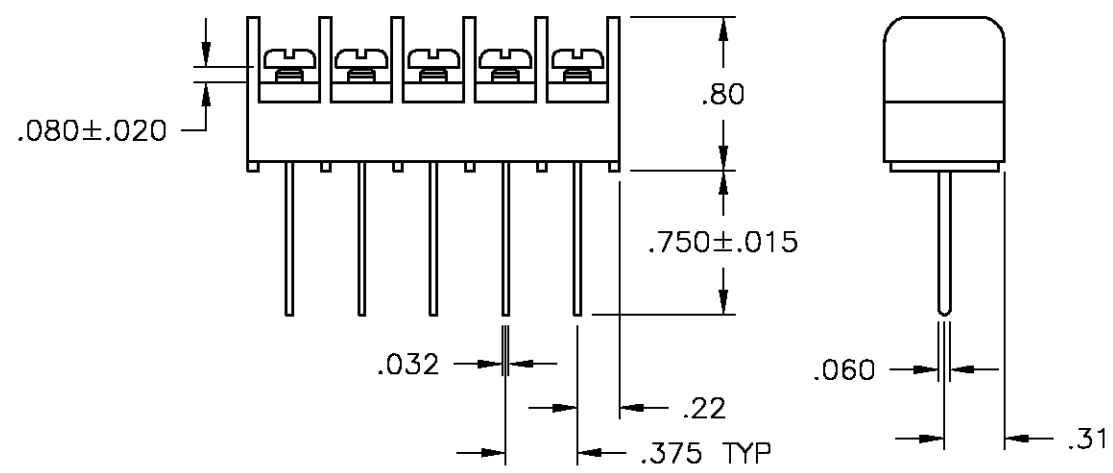
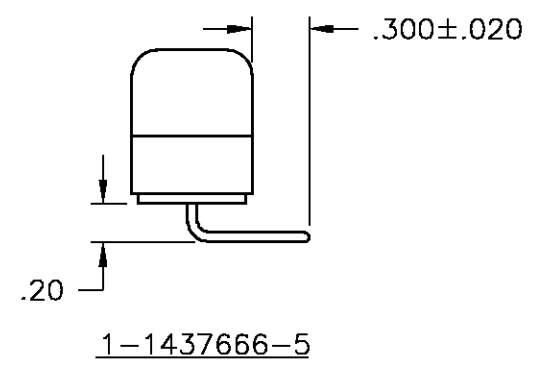
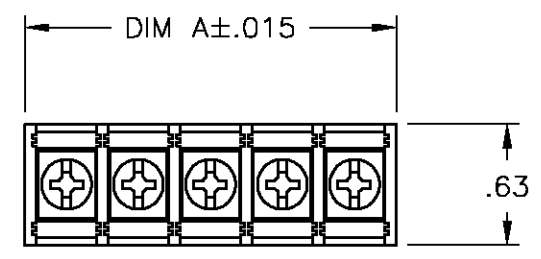
THIS DRAWING IS UNPUBLISHED. RELEASED FOR PUBLICATION  
 © COPYRIGHT BY TYCO ELECTRONICS CORPORATION. ALL RIGHTS RESERVED.

LOC	DIST	REVISIONS			
P	LTR	DESCRIPTION	DATE	DWN	APVD
FT	0	B1	REVISED PER ECO-05-554	5/11/05	SS SRY

**MATERIAL:**  
 HOUSING: THERMOPLASTIC, UL94V-0, BLACK.  
 TERMINALS: BRIGHT TIN OVER COPPER ALLOY.  
 SCREWS: #6-32 STEEL, ZINC PLATING W/ CLEAR CHROMATE.

**ELECTRICAL:**  
 RATED CURRENT UL/CSA:  
 CLASS C: 20A, 300V.  
 CLASS D: 5A, 600V.  
 WIRE RANGE: 12-22 AWG

**MECHANICAL:**  
 RECOMMENDED TORQUE: 7 IN-LB.  
 OPERATING TEMP.: 105°C MAX.



9.436	25	JC6-W107-25	5-1546703-9	
9.061	24	JC6-W107-24	5-1546703-8	
8.686	23	JC6-W107-23	5-1546703-7	
8.311	22	JC6-W107-22	5-1546703-6	
7.936	21	JC6-W107-21	5-1546703-5	
7.561	20	JC6-W107-20	5-1546703-4	
7.186	19	JC6-W107-19	5-1546703-3	
6.811	18	JC6-W107-18	5-1546703-2	
6.436	17	JC6-W107-17	5-1546703-1	
6.061	16	JC6-W107-16	5-1546703-0	
5.686	15	JC6-W107-15	4-1546703-9	
5.311	14	JC6-W107-14	4-1546703-8	
4.936	13	JC6-W107-13	4-1546703-7	
4.561	12	JC6-W107-12	4-1546703-6	
4.186	11	JC6-W107-11	4-1546703-5	
3.811	10	JC6-W107-10	796985-4	
3.436	9	JC6-W107-09	4-1546703-4	
3.061	8	JC6-W107-08	4-1546703-3	
2.686	7	JC6-W107-07	4-1546703-2	
2.311	6	JC6-W107-06	2-796985-8	
1.936	5	JC6-W107-05-100	1-1437666-5	
1.936	5	JC6-W107-05	1-1437666-4	
SEE FIGURE PRELIMINARY	1.561	4	JC6-W107-04-202	1776228-1
SEE FIGURE	1.561	4	JC6-W107-04-176	2-796985-7
SEE FIGURE PRELIMINARY	1.561	4	JC6-W107-04	4-1546703-1
SEE FIGURE PRELIMINARY	1.186	3	JC6-W107-03-233	1776228-2
	1.186	3	JC6-W107-03	1-1437666-3
	.811	2	JC6-W107-02	4-1546703-0

SEE FIGURE  
 SEE FIGURE PRELIMINARY  
 SEE FIGURE  
 SEE FIGURE PRELIMINARY

DIM. A	NO. OF POS.	CATALOG NUMBER	TYCO PART NO.
--------	-------------	----------------	---------------

THIS DRAWING IS A CONTROLLED DOCUMENT.		DWN S. SCHLEGEL 5/12/03	<b>BUCHANAN</b> Tyco Electronics Corporation Harrisburg, Pa 17105-3608	
DIMENSIONS: INCHES		CHK S. YODER 5/27/03		
TOLERANCES UNLESS OTHERWISE SPECIFIED:		APVD S. YODER 5/27/03	NAME JC6-W107-XX ASSEMBLY	
0 PLC ± -		PRODUCT SPEC	-	
1 PLC ± -		APPLICATION SPEC	-	
2 PLC ± .01		WEIGHT -	SIZE A3	CAGE CODE 00779
3 PLC ± .005		MATERIAL -	DRAWING NO C-1-1437666-3	
4 PLC ± -			RESTRICTED TO -	
ANGLES ± -		CUSTOMER DRAWING		
FINISH -		SCALE 1:1		SHEET 1 OF 1
				REV B1