

PCS TERMINAL OPTION
PCB LAYOUT - COMPONENT SIDE

TERMINAL FINISH OPTIONS: **11** **X** R6HS COMPLIANT

NL - "N" INSULATING, MOLDED NYLON BUSHING
"L" 0.375 LONG BUSHING

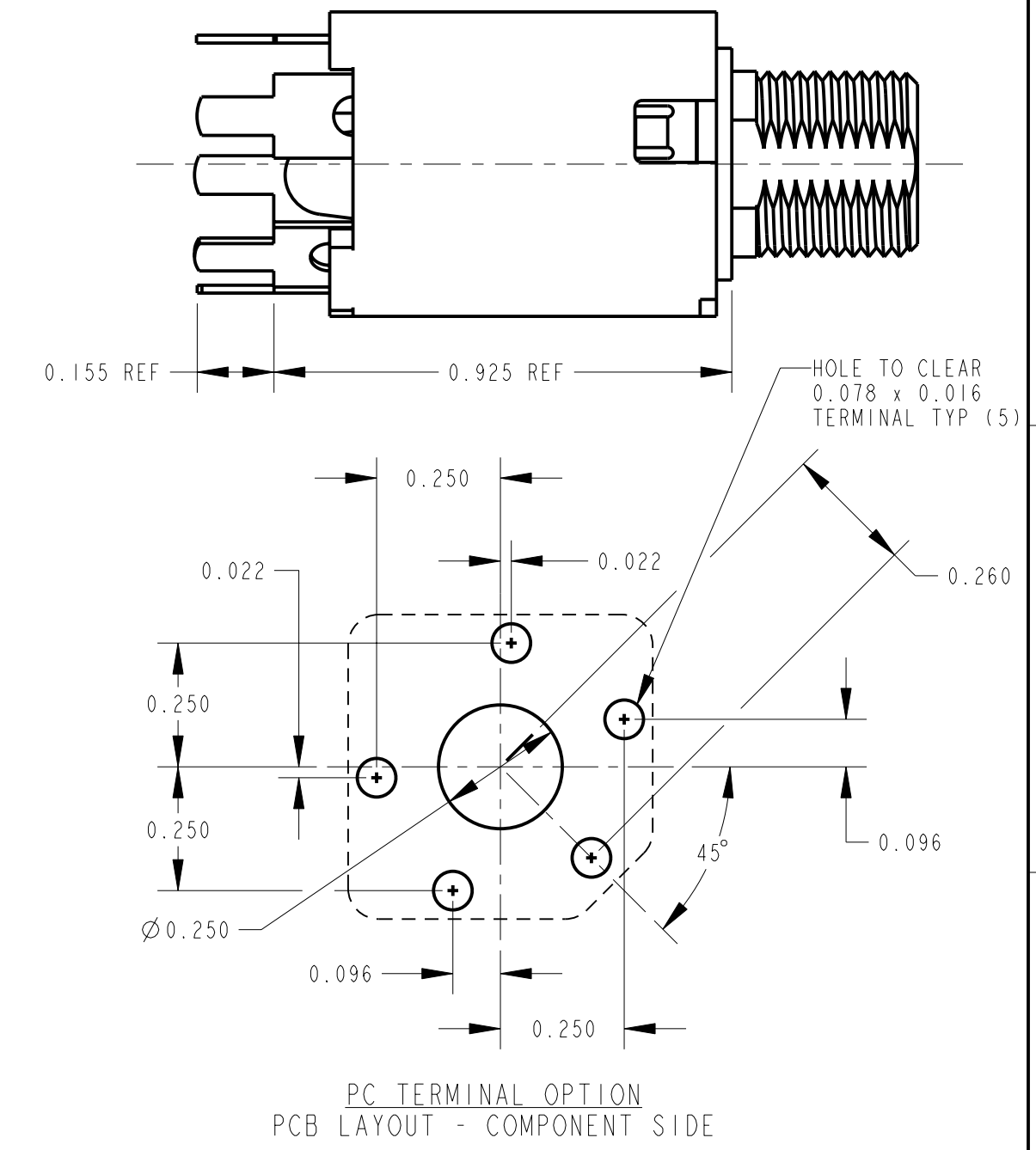
MNL - "M" GOLD PLATED SPRINGS WITH GOLD CONTACTS ON RING SPRINGS AND SHUNT SPRINGS (WHEN SHUNTS ARE USED)

"N" INSULATING, MOLDED NYLON BUSHING
"L" 0.375 LONG BUSHING

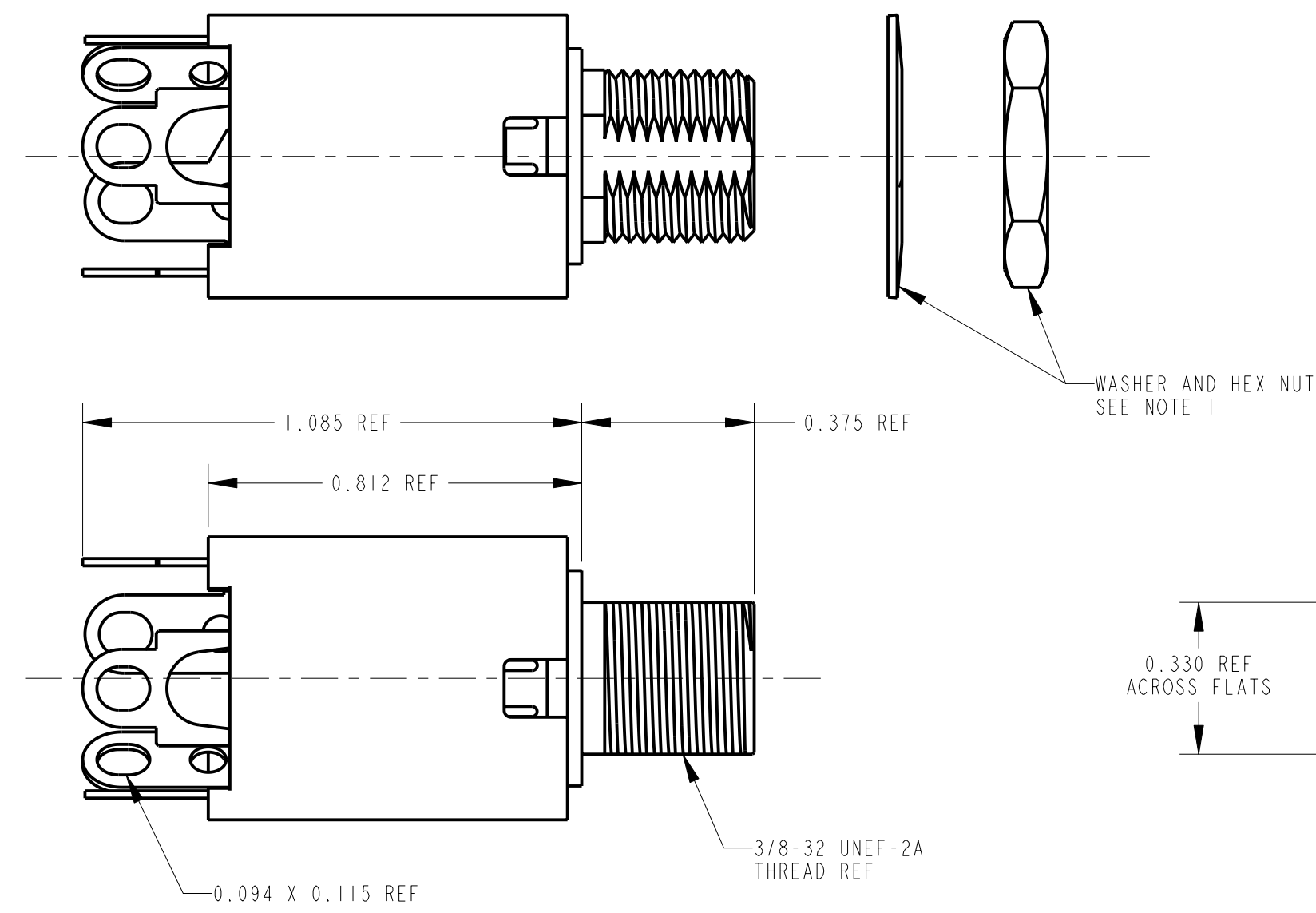
TERMINAL OPTIONS:
BLANK - SOLDER TERMINAL
PC - 0.078 WIDE PC TAILS
PCS - SNAP-IN PC TAILS

CIRCUITRY OPTIONS:

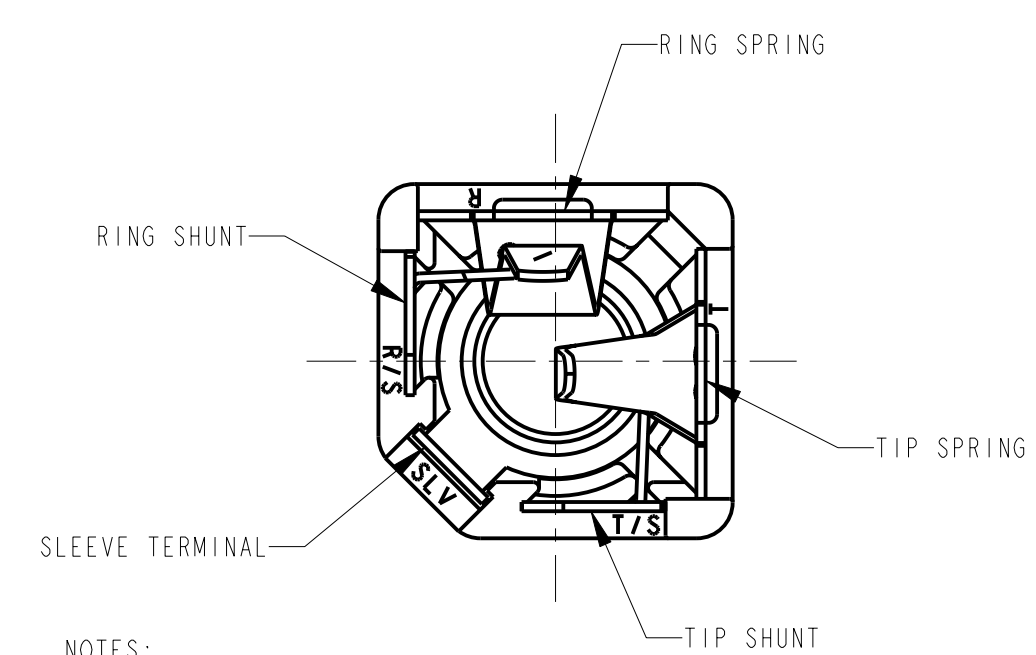
1 - TIP OPEN CIRCUIT	TIP SLEEVE
2A - TIP CLOSED CIRCUIT	TIP SLEEVE
2B - TIP & RING OPEN CIRCUIT	RING TIP SLEEVE
3 - TIP OPEN CIRCUIT AND ISOLATE "MAKE" CIRCUIT	TIP SLEEVE
3B - TIP CLOSED CIRCUIT AND RING OPEN CIRCUIT (I-C TRANSFER)	RING TIP SLEEVE
3D - I TIP CLOSED CIRCUIT AND I TIP OPEN CIRCUIT	TIP SLEEVE
3E - TIP OPEN CIRCUIT AND ISOLATED "BREAK" CIRCUIT	TIP SLEEVE
3F - TIP OPEN CIRCUIT AND RING CLOSED CIRCUIT	RING TIP SLEEVE
4B - TIP & RING CLOSED CIRCUIT	RING TIP SLEEVE



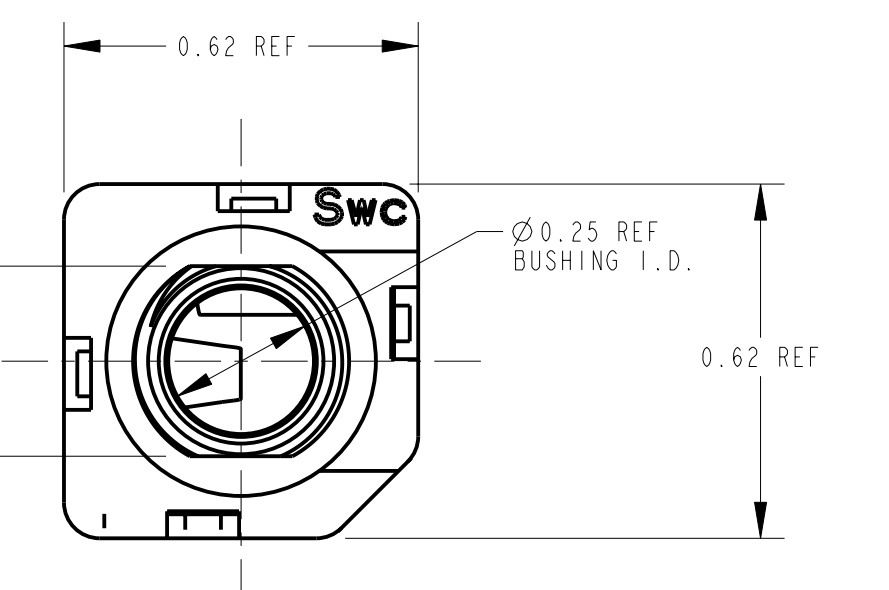
PC TERMINAL OPTION
PCB LAYOUT - COMPONENT SIDE



SOLDER TERMINAL OPTION



- NOTES:
- HARDWARE SHIPPED UNASSEMBLED.
 - MAXIMUM PANEL THICKNESS: 0.25
 - MATERIALS:
HOUSING - POLYESTER GLASS FILLED, BLACK
BUSHING - THERMOPLASTIC, BLACK WITH BRASS, NICKEL PLATED SLEEVE
SLEEVE TERMINAL - BRASS, LEAD FREE ELECTRO-TIN PLATED
SPRINGS - NICKEL SILVER, LEAD FREE ELECTRO-TIN PLATED
LIFTERS - NYLON (113 & 113E CIRCUIT OPTIONS)
WASHER - STEEL, NICKEL PLATED
NUT - BRASS, NICKEL PLATED
 - THIS PRODUCT IS R6HS COMPLIANT.



CUSTOMER DRAWING

<p>★ STAR SYMBOL DENOTES CRITICAL DIMENSION</p> <p>UNLESS OTHERWISE SPECIFIED</p> <p>1. ALL DIMENSIONS IN INCHES - TWO PLACE DECIMALS ±0.01 - THREE PLACE DECIMALS ±0.005 - ANGLES ±1° - ALL DIA. CONCENTRIC WITHIN 0.005 T.I.R.</p> <p>2. FEATURES ON THE SAME CENTERLINE MUST BE ALIGNED WITHIN ±0.002</p> <p>3. REMOVE ALL BURRS</p> <p>DO NOT SCALE DRAWING</p>					<p>THIS DRAWING DESCRIBES A DESIGN CONSIDERED PROPRIETARY IN NATURE, DEVELOPED AND MANUFACTURED BY SWITCHCRAFT INC. AND IS RELEASED ON A CONFIDENTIAL BASIS FOR IDENTIFICATION PURPOSES ONLY.</p> <table border="1"> <tr> <td>SIZE</td> <td>WIDTH</td> <td>MULT</td> <td>LBS/M</td> <td>TEMPER</td> </tr> <tr> <td colspan="2">FINISH</td> <td colspan="3">MATERIAL SPEC No.</td> </tr> <tr> <td colspan="2">SPEC No.</td> <td colspan="3">SCALE 3:1</td> </tr> <tr> <td>DATE DRAWN</td> <td>BY</td> <td>CHKD</td> <td>APVD</td> <td></td> </tr> <tr> <td>17-Jul-08</td> <td>TJK</td> <td>TJK</td> <td>TJK</td> <td></td> </tr> <tr> <td colspan="4">NAME #3/8-32, LONG INSULATED BUSHING Ø0.25 I.D. HI-D JACK ASSY, R6HS</td> <td>REV A</td> </tr> </table>					SIZE	WIDTH	MULT	LBS/M	TEMPER	FINISH		MATERIAL SPEC No.			SPEC No.		SCALE 3:1			DATE DRAWN	BY	CHKD	APVD		17-Jul-08	TJK	TJK	TJK		NAME #3/8-32, LONG INSULATED BUSHING Ø0.25 I.D. HI-D JACK ASSY, R6HS				REV A
SIZE	WIDTH	MULT	LBS/M	TEMPER																																			
FINISH		MATERIAL SPEC No.																																					
SPEC No.		SCALE 3:1																																					
DATE DRAWN	BY	CHKD	APVD																																				
17-Jul-08	TJK	TJK	TJK																																				
NAME #3/8-32, LONG INSULATED BUSHING Ø0.25 I.D. HI-D JACK ASSY, R6HS				REV A																																			
<table border="1"> <tr> <th>REV</th> <th>ECO NUMBER</th> <th>DATE</th> <th>BY</th> <th>APVD</th> </tr> <tr> <td>A</td> <td>26032</td> <td>3-25-11</td> <td>TJK</td> <td>TJK</td> </tr> </table>					REV	ECO NUMBER	DATE	BY	APVD	A	26032	3-25-11	TJK	TJK	<p>Switchcraft®</p> <p>SHEET OF </p> <p>PART No. NLI10X SERIES MNL10X SERIES</p>																								
REV	ECO NUMBER	DATE	BY	APVD																																			
A	26032	3-25-11	TJK	TJK																																			