

REFERENCE SPECIFICATIONS

-NFC 93425 (in compliance with HE 501)

PHYSICAL CHARACTERISTICS

-INSULATOR MATERIAL: THERMOPLASTIC UL94V0
 -CONTACT MATERIAL: BRASS

-ACCESSORIES: BRASS
 -SHELLS: STEEL

ELECTRICAL CHARACTERISTICS

-NOMINAL CURRENT: 7.5A
 -CONTACT RESISTANCE: <= 7.3 m ohms
 -CONTACT/CONTACT : >=1000 V
 -CONTACT/GROUND : >=1200 V
 -INSULATION RESISTANCE: >=5000 MOhms

ENVIRONMENTAL CHARACTERISTICS

- CLIMATIC CATEGORY: 55/125/56
 TEMPERATURE RANGE -55°C TO +125°C
 DAMP HEAT STEADY STATE 56 DAYS
 SALT SPRAY 48 HOURS

MECHANICAL CHARACTERISTICS

- RETENTION AGAINST TORQUE: - Threaded insert: 0.7 N.m minimum
 - Female screw : 0.5 N.m minimum

NOTE RoHS INFORMATION

- The "LF" products meet european union Directives and other country regulations as described in GS-22-008.
- Termination plating spec:
Gold over Nickel
- Active area plating spec:
Gold over Nickel
- Shell plating :Bright pure tin white or transparent color
- Accessories: Bright pure tin white or transparent color
- Packaging spec: See GS-14-920

DBML25P300LF

Series

Shell size: **E A B C D**
see sheet 2

Front accessory definition
see sheet 2

- Blank** :without accessory
- F** :floating mounting
- L** :threaded insert M3
- O** :threaded insert UNC 4-40
- V** :female screw UNC 4-40
- S** :spacer

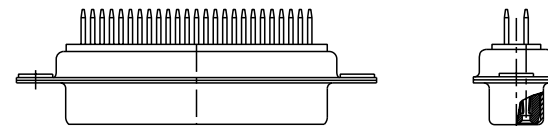
Contact number (see sheet 2)
9,15,25,37,50

Contacts
P :Pin

Termination type
3 :Straight version

Plating
00 : 500 matings/unmatings
43 : 500 matings/unmatings for harsh environment

See note RoHS



25 WAY for Example

rev	ecn no	dr	date
A	LS06-0008	MPE	2006/01/16
B	LS07-0235	MPE	2007/09/13
C	LS07-0273	MPE	2007/10/29
-	-	-	-
-	-	-	-
-	-	-	-

www.fciconnect.com		surface	ISO 1302	tolerance std	ISO 406	ISO 1101	projection	mm
		TOLERANCES UNLESS OTHERWISE SPECIFIED			0.X	±0.3	size	A2
		ANGULAR	LINEAR	0.xx	±0.1	Scale	2:1	
		0° ±2'		0.xxx	±0.05	ECN	LS07-0273	
		Product family				Spec ref		
FCI		SUB MALE DM HE501 series			cat no		C01-8637-1677	
		with straight solder contact					Rev. C	
		catalog no			CUSTOMER		sheet 1 of 4	

1 2 3 4 5 6 7 8

A

B

C

D

E

F

A

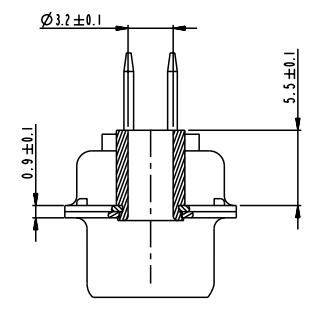
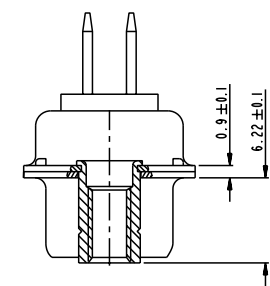
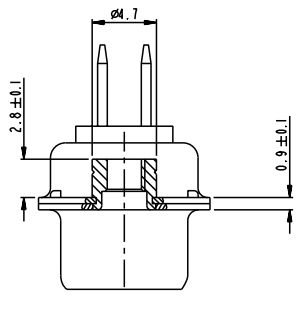
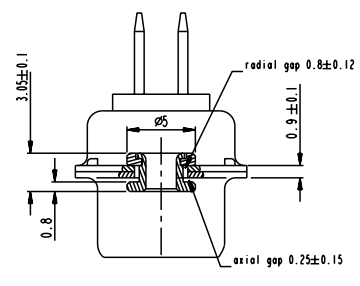
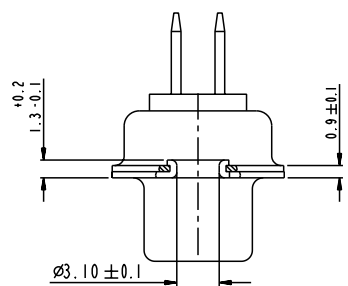
B

C

D

E

F



FRONT ACCESSORY **Blank** without **F** floating mounting **L** insert M3 **O** insert UNC 4.40 **V** female screw UNC 4.40 **S** spacer

PART NUMBER	FRONT ACCESSORY
D*MxxP300LF	without
D*MFxxP300LF	floating mounting
D*MLxxP300LF	insert M3
D*MOxxP300LF	insert UNC 4.40
D*MVxxP300LF	female screw UNC 4.40
D*MSxxP300LF	spacer

shell size	Contact number
*	XX
E	09
A	15
B	25
C	37
D	50

PART NUMBER	FRONT ACCESSORY
D*MxxP343LF	without
D*MFxxP343LF	floating mounting
D*MLxxP343LF	insert M3
D*MOxxP343LF	insert UNC 4.40
D*MVxxP343LF	female screw UNC 4.40
D*MSxxP343LF	spacer

CROSS REFERENCES HE501 and FCI

HE501 P/N	FCI P/N	FRONT ACCESSORY
HE501NxxYP4	D*MxxP300LF	without
HE501FxxYP4	D*MFxxP300LF	floating mounting

Copyright FCI, FCJ

www.fciconnect.com		surface ISO 1302	tolerance std ISO 406 ISO 1101	projection ISO 1101	mm
		TOLERANCES UNLESS OTHERWISE SPECIFIED			
Dr M PESSON	11/10/05	ANGULAR	0.X ±0.3	size A2	Scale 2:1
Eng 11/10/05	P LEGARE	LINEAR	0.XX ±0.1		
Chr		0° ±2°	0.XXX ±0.05	ECN	LS07-0273
Appr		Product family		Spec ref	
FCJ		SUB MALE DM HE501 series		dwg no	Rev.
		with straight solder contact		C01-8637-1677	C
		catalog no		CUSTOMER	sheet 2 of 4

SCALE: 4

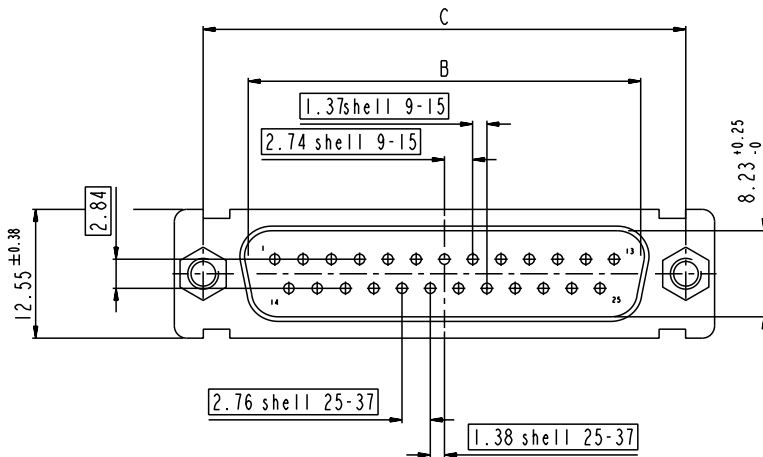
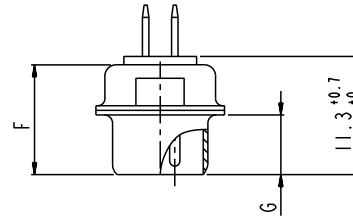
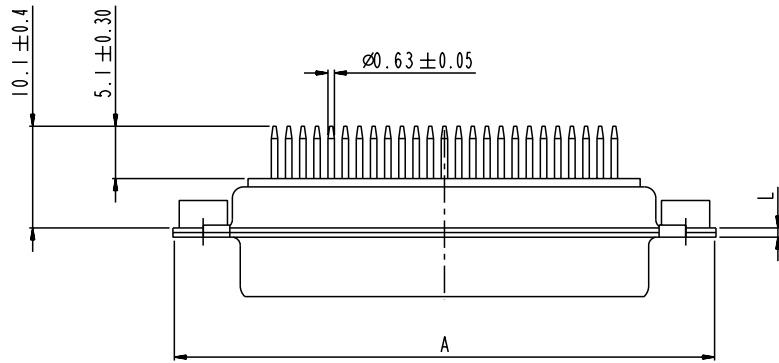
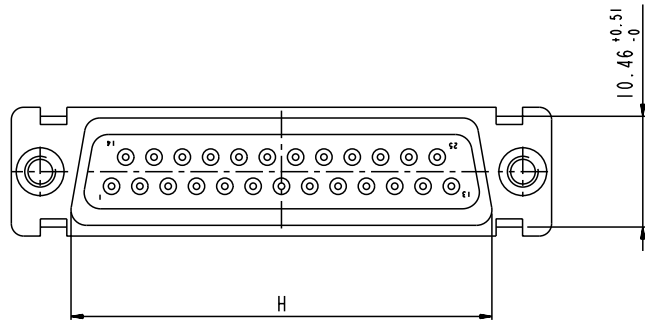
REV 7 - 2008-04-17

1 2 3 4 5 6 7 8

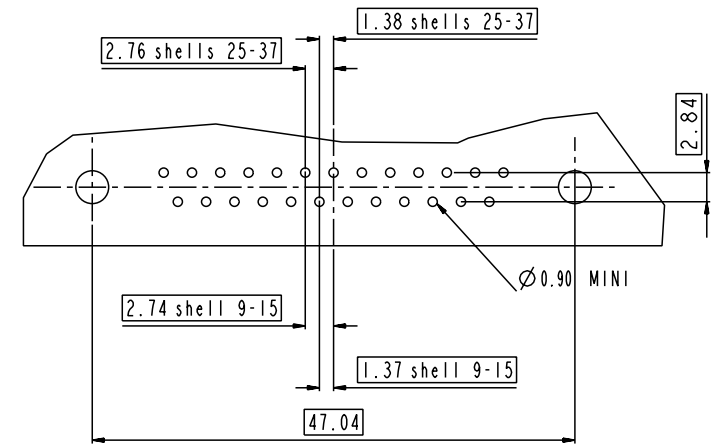
DIMENSIONS FOR SHELL E, A, B, C

Dimensions are in millimeters

Shell size	Number of contacts	A ^{+0.76} ₋₀	B ^{+0.25} ₋₀	C ±0.12	F ^{+0.57} ₋₀	G ^{+0.25} ₋₀	H ^{+0.51} ₋₀	L ^{+0.22} ₋₀
E	09	30.43	16.79	24.99	10.47	5.9 ^{+0.15} ₋₀	19.02	0.80
A	15	38.76	25.12	33.32	10.47	5.9 ^{+0.15} ₋₀	27.25	0.80
B	25	52.65	38.84	47.04	10.43	5.7 ^{+0.25} ₋₀	41.02	0.80
C	37	68.94	55.30	63.50	10.56	5.7 ^{+0.25} ₋₀	57.45	0.90

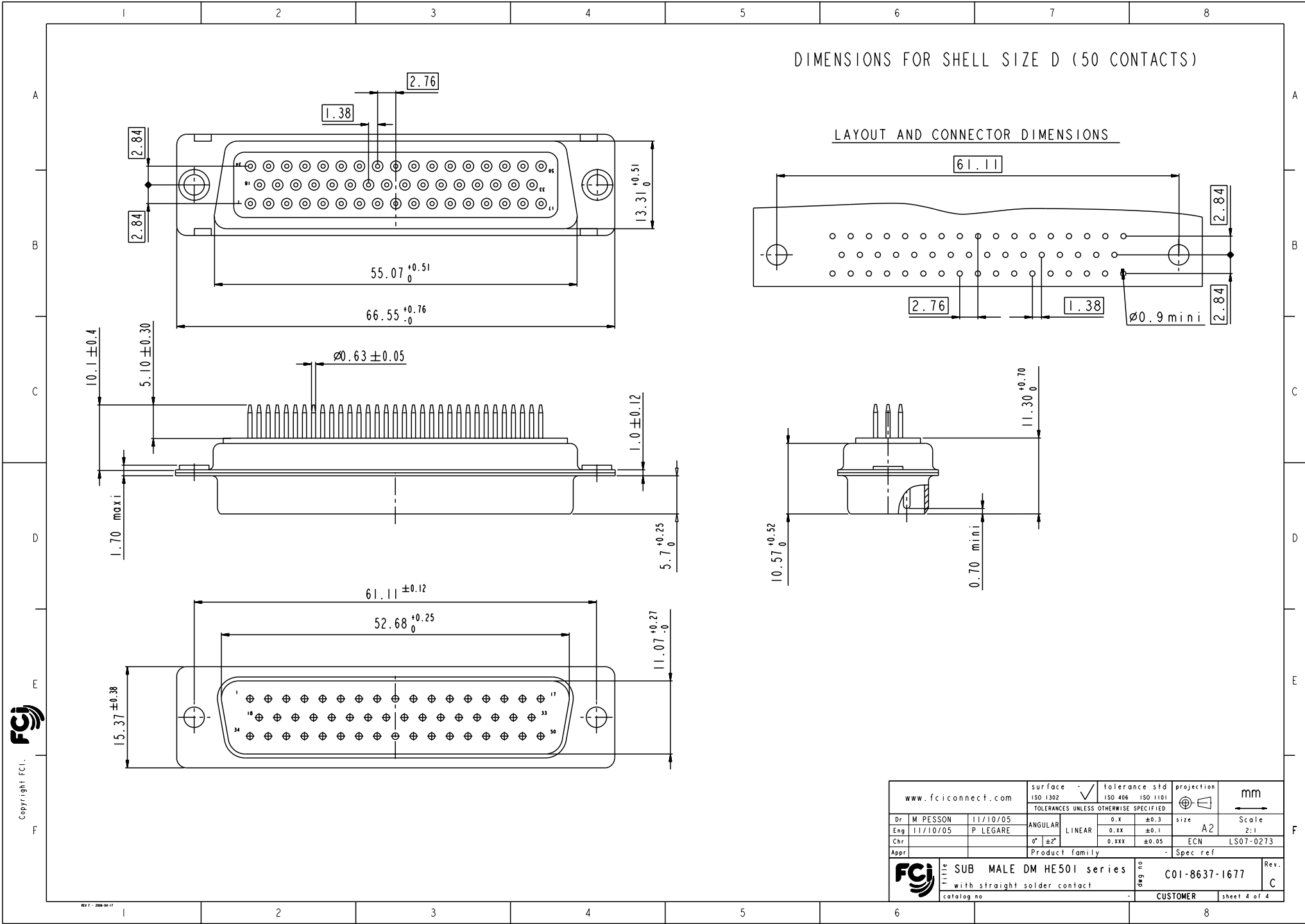


LAYOUT AND CONNECTOR DIMENSIONS




Copyright FCI. **FCI**


www.fciconnect.com		surface ISO 1302	tolerance std ISO 406 ISO 1101	projection mm
		TOLERANCES UNLESS OTHERWISE SPECIFIED		
Dr M PESSON	11/10/05	ANGULAR	0.X ±0.3	size A2 Scale 2:1
Eng 11/10/05	P LEGARE	LINEAR	0.XX ±0.1	ECN LS07-0273
Chr		0° ±2°	0.XXX ±0.05	Spec ref
Product family				
FCI SUB MALE DM HE501 series		ang no	C01-8637-1677	
with straight solder contact		customer	sheet 3 of 4	
catalog no				



DIMENSIONS FOR SHELL SIZE D (50 CONTACTS)

LAYOUT AND CONNECTOR DIMENSIONS

Copyright FCI.


www.fciconnect.com		surface ISO 1302	tolerance std ISO 406 ISO 1101	projection mm
		TOLERANCES UNLESS OTHERWISE SPECIFIED		
Dr M PESSON	11/10/05	ANGULAR	0.X ±0.3	size A2 Scale 2:1
Eng 11/10/05	P LEGARE	LINEAR	0.XX ±0.1	ECN LS07-0273
Chr		0° ±2°	0.XXX ±0.05	Product family - Spec ref
 SUB MALE DM HE501 series with straight solder contact catalog no		ang no C01-8637-1677	Rev. C	CUSTOMER sheet 4 of 4