

Mini Circular Connectors IBC-P60B, P70 Series

FEATURES

IBC-P60B, P70 series Mini-circular connectors are miniature version of standard circular DIN connectors and are used for interface connector of various OA equipment (P.C., Word Processor etc.), Game machines and AV equipment. IBC-P60B series is Plug cable assembly (straight type) with use of one-piece crimp type contacts. IBC-P70 series is right angle type Plug cable assembly, and both left and right side are available. 4 sizes (5 pins to 8 pins) are available in Plug cable assembly.



HOW TO ORDER

1. IBC-P60B Series

P60B- **-1491PA**

1 2 3

- 1 Series No.
- 2 No. of contacts (05 : 5pins~08 : 8pins)
- 3 Product Specifications

2. IBC-P70 Series

P70- **-**

1 2 3

- 1 Series No.
- 2 No. of contacts (05 : 5pins~08 : 8pins)
- 3 Product Specifications
 - Right side configuration : 0526PA
 - Left side configuration : 0153PA

SPECIFICATIONS

ELECTRICAL CHARACTERISTICS

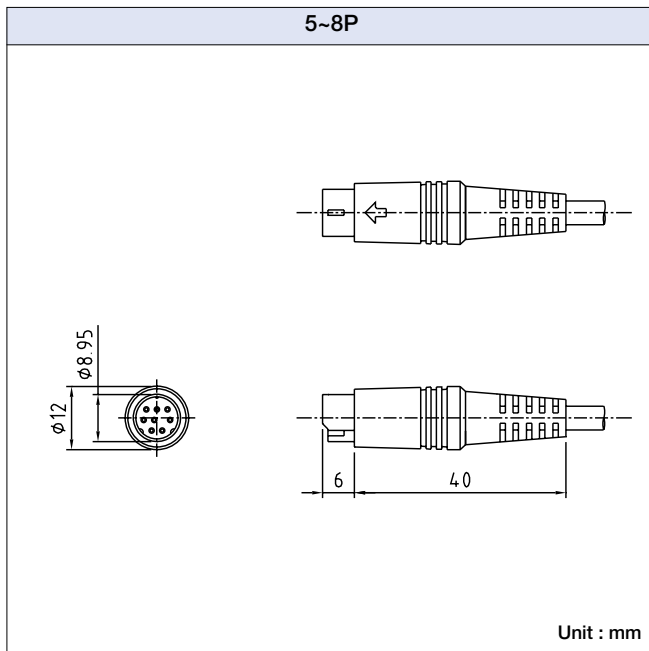
Rated Voltage	30V AC (rms)
Rated Current	1A
Withstanding Voltage	250V AC (rms) 1minute
Insulation Resistance	50MΩ min. (at 250V DC)
Contact Resistance	30mΩ max.

MATERIAL & FINISH

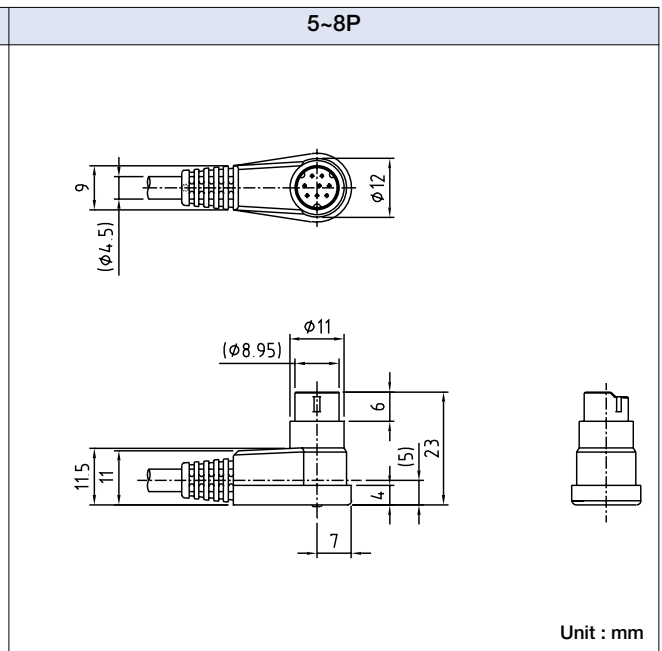
Component Parts	Material	Finish
Plug Housing	Glass filled PBT resin	—
Plug Contact	Copper Alloy	Tin/Silver/Gold
Shielded Case	IBC-P60B Steel IBC-P70 Copper Alloy	Nickel Plating
Outer Molding	PVC resin	—

DIMENSIONS

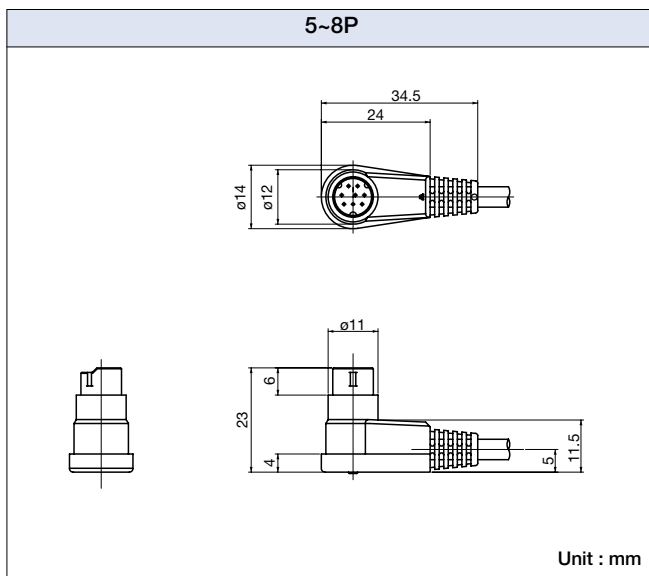
IBC-P60B Series



IBC-P70 Series (Left side configuration)



IBC-P70 Series (Right side configuration)



MATING FACE

