

IDC type terminator for cables

PCS-D68 () DEH () ()

1.27 mm pitch connectors

For cables

Termination connector

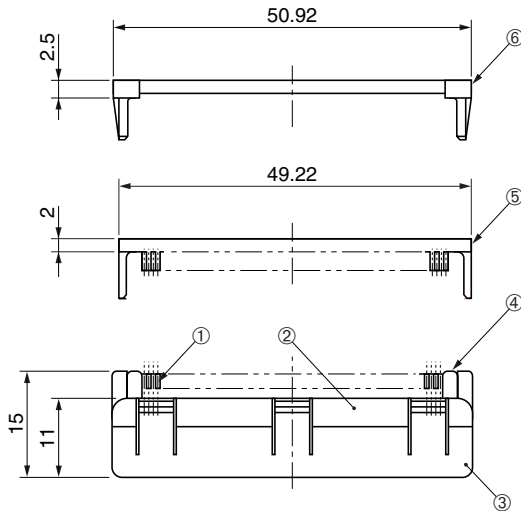
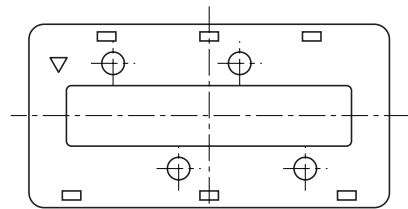
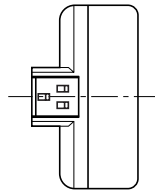
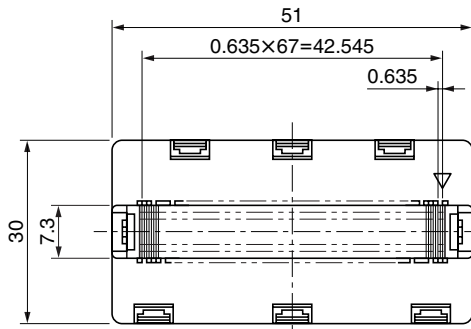
SCSI (0.635 mm pitch IDC type cables)



● Configuration of product Part No.

PCS-D 68 () DEH () ()

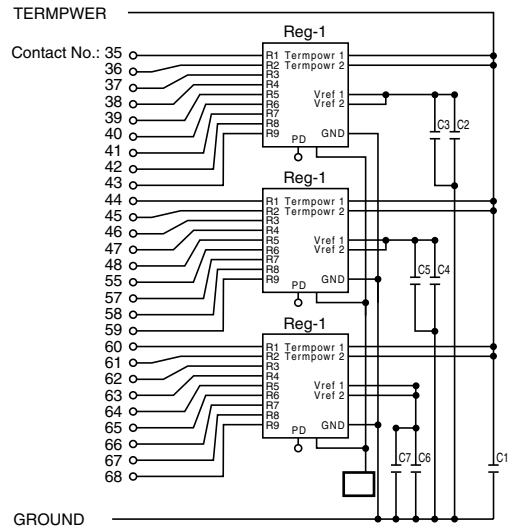
- | | |
|--|--|
| ① Series name | ⑤ For use with cable sizes
A: AWG#30(7/0.1) |
| ② No. of contacts: 68 | ⑥ Configuration of circuits
J4: Single end type and active-2 type |
| ③ Strain relief
Blank: Not provided
R : Provided | |
| ④ Configuration of connector
DEH: 0.635 mm pitch IDC type cables terminator | |



● Components

①	Contacts
②	Insulator
③	Housing
④	Housing housing I
⑤	Housing housing II
⑥	Strain relief

R	: 110Ω×27
C1	: 2.2μF, 16V, Tantalum capacitor
C2, C4, C6	: 0.1μF, 25V, Ceramic capacitor
C3, C5, C7	: 4.7μF, 10V, Tantalum capacitor
TERMPWR	: #17, 18, 51, 52
G N D	: #1-16, 20-34, 49, 50, 54, 56 (35contacts)
O P E N	: #19, 53



For use with cables: 0.635 mm pitch 68-conductor cable, AWG#30(7 / 0.1)

Required tools: Locator, MLPT-0014

Hand presser, RPS-K4