

## 88 Pin DRAM Card Connectors

### Features:

- Meets JEIDA/JEDEC Standards.
- .039 (1.00mm) x .050" (1.27mm) centerline spacing.
- SMT design.
- Selective pin lengths and pin loading (for other available options, consult factory)
- Polarized guide rails.
- Locating feature for exact termination alignment (3 molded-in press-fit studs)
- Vapor phase and infrared compatible.

### Body Materials:

Hi-Temp housings:  
GF LCP, U.L. Rated 94V-0

### Contacts:

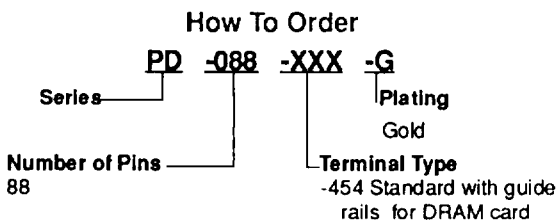
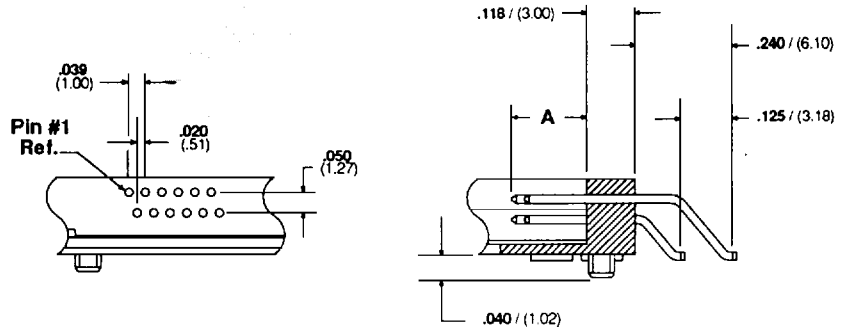
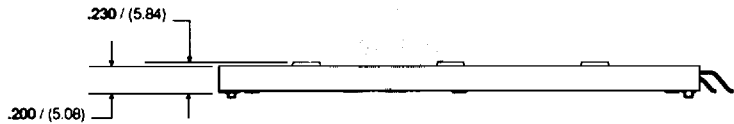
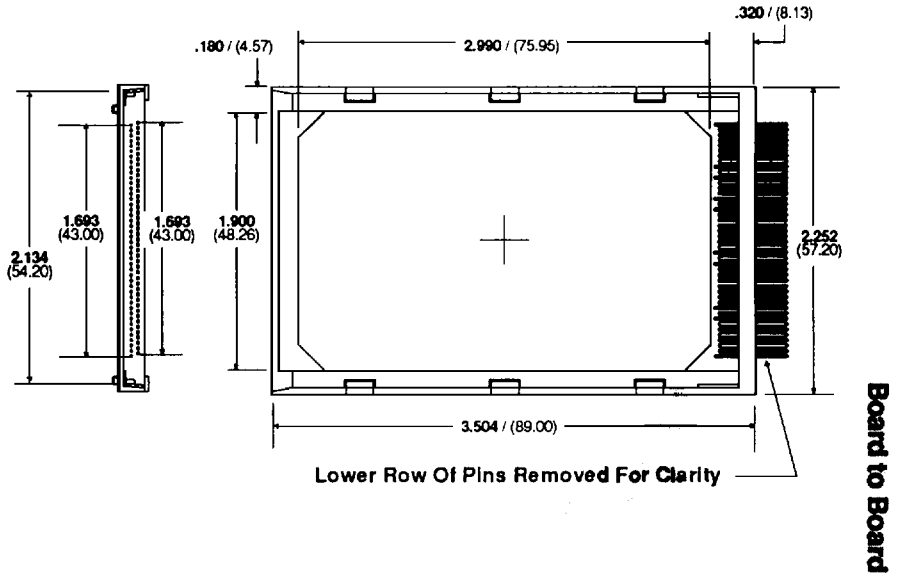
PhosBronze drawn wire

### Plating:

30μ" Gold min. on contact area only  
over 50μ" Nickel min. on entire contact area.  
.100μ" min. Tin Lead alloy tails

### Performance:

- Current Rating = 1 amp max.
- Dielectric withstanding = 500 VAC RMS min.
- Insulation resistance = 1,000 megohms min.



Pin Number	Pin Length "A"
1, 9, 11, 15, 17, 25, 27, 35, 37, 44, 45, 56, 63, 67, 73, 88	± .004 .181
<b>Others</b>	± .004 .150