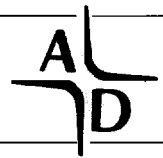


# HIGH CURRENT FILTER CHOKES

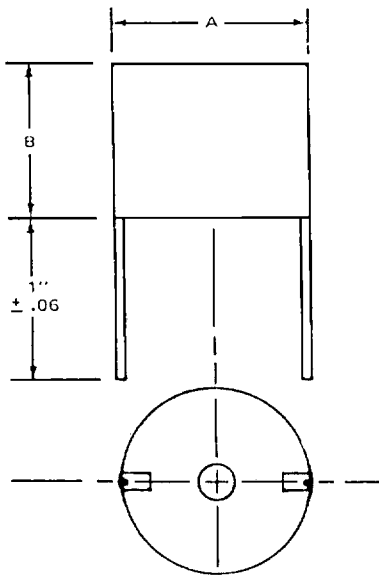


## Applications:

- 1) Axial or radial
- 2) Pre-tinned leads
- 3) Covered with shrink tubing and varnish
- 4) Designed for Noise/EMI/RFI Filters, copy machines, switching power supplies typewriter machines, etc.

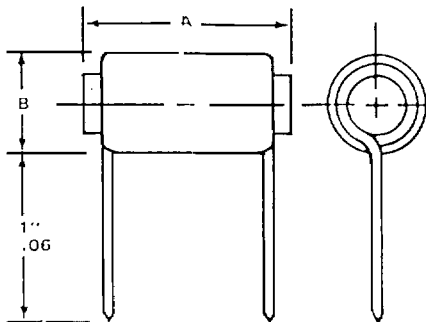
## HIGH SATURATION FLUX DENSITY FERRITE BOBBINS

Inductance measured @ 1 kHz with 0 Amps D.C. current.  
Typical inductance change is less than 10% @ maximum rated current.



## HIGH SATURATION FLUX DENSITY FERRITE RODS

Inductance measured @ 1 kHz with 0 Amps D.C. current.  
Typical inductance change is less than 10% @ maximum rated current.



Part No.	L uH +10%	R,dc		Dim.		Reference	
		Max. Ohms	Max. Amps	A Max.	B Max.	Miller P/N	DALE P/N
SHPC-1	5	.007	15	.83	.91	5601	1H-15
SHPC-2	5	.005	20	1.22	1.11	5610	
SHPC-3	10	.008	15	.83	.91	5602	1H-15
SHPC-4	10	.006	17.5	1.22	1.11	5611	
SHPC-5	25	.023	7.5	.83	.91	5603	1H-5
SHPC-6	25	.009	15	1.22	1.11	5612	1H-5
SPHC-7	50	.034	7.5	.83	.91	5604	1H-15
SPHC-8	50	.017	10	1.22	1.11	5613	1H-10
SPHC-9	50	.012	15	1.50	1.11	5619	1H-15
SPHC-10	100	.072	5	.83	.91	5605	1H-5
SPHC-11	100	.034	7.5	1.22	1.11	5614	
SPHC-12	100	.025	10	1.50	1.11	5620	1H-10
SPHC-13	100	.018	15	1.50	1.50	5626	1H-15
SPHC-14	250	.173	3	.83	.91	5606	1H-3
SPHC-15	250	.083	5	1.22	1.11	5615	1H-5
SPHC-16	250	.059	7.5	1.50	1.11	5621	
SPHC-17	250	.040	10	1.50	1.50	5627	1H-10
SPHC-18	500	.378	2	.83	.91	5607	
SPHC-19	500	.129	3.5	1.22	1.11	5616	
SPHC-20	500	.090	5	1.50	1.11	5622	
SPHC-21	500	.085	7.5	1.50	1.50	5628	
SPHC-22	1000	.801	1.5	.83	.91	5608	
SPHC-23	1000	.279	2.5	1.22	1.11	5617	
SPHC-24	1000	.195	3.5	1.50	1.11	5623	
SPHC-25	1000	.183	5	1.50	1.50	5629	
SPHC-26	2500	2.04	1	.83	.91	5609	
SPHC-27	2500	.690	1.5	1.22	1.11	5618	
SPHC-28	2500	.499	2.5	1.50	1.11	5624	
SPHC-29	2500	.464	3	1.50	1.50	5630	
SPHC-30	5000	1.08	1.5	1.50	1.11	5625	
SPHC-31	5000	.714	2.5	1.50	1.50	5631	
SPHC-32	10000	1.55	1.5	1.50	1.50	5632	

Part No.	L uH +10%	R,dc		Dim.		Reference	
		Max. Ohms	Max. Amps	A Max.	B Max.	Miller P/N	DALE P/N
RHPC-1	5	.013	10	.88	.63	5501	1H-10
RHPC-2	5	.009	15	.88	.63	5508	1H-15
RHPC-3	5	.006	20	1.12	.69	5515	
RHPC-4	10	.017	10	1.12	.63	5502	1H-10
RHPC-5	10	.014	12.5	1.12	.64	5509	
RHPC-6	10	.010	15	1.38	.69	5516	1H-15
RPHC-7	27	.006	20	1.69	.72	5522	
RPHC-8	27	.025	7.5	.88	.81	5503	
RPHC-9	27	.022	10	.88	.88	5510	1H-10
RPHC-10	27	.014	12.5	1.12	.94	5517	
RPHC-11	27	.010	15	1.38	1	5523	1H-15
RPHC-12	50	.045	5	1.12	.81	5504	1H-5
RPHC-13	50	.028	7.5	1.12	.88	5511	
RPHC-14	50	.025	10	1.38	.94	5518	1H-10
RPHC-15	50	.020	15	1.62	1	5524	1H-15
RPHC-16	68	.035	7.5	1.12	.88	5512	
RPHC-17	68	.027	10	1.38	.94	5519	1H-10
RPHC-18	100	.061	5	1.12	.81	5505	1H-5
RPHC-19	100	.051	7.5	1.38	.88	5513	
RPHC-20	100	.030	10	1.62	.94	5520	1H-10
RPHC-21	150	.075	5	1.38	.81	5506	1H-5
RPHC-22	150	.060	7.5	1.62	.88	5514	
RPHC-23	150	.090	5	1.62	.81	5507	