

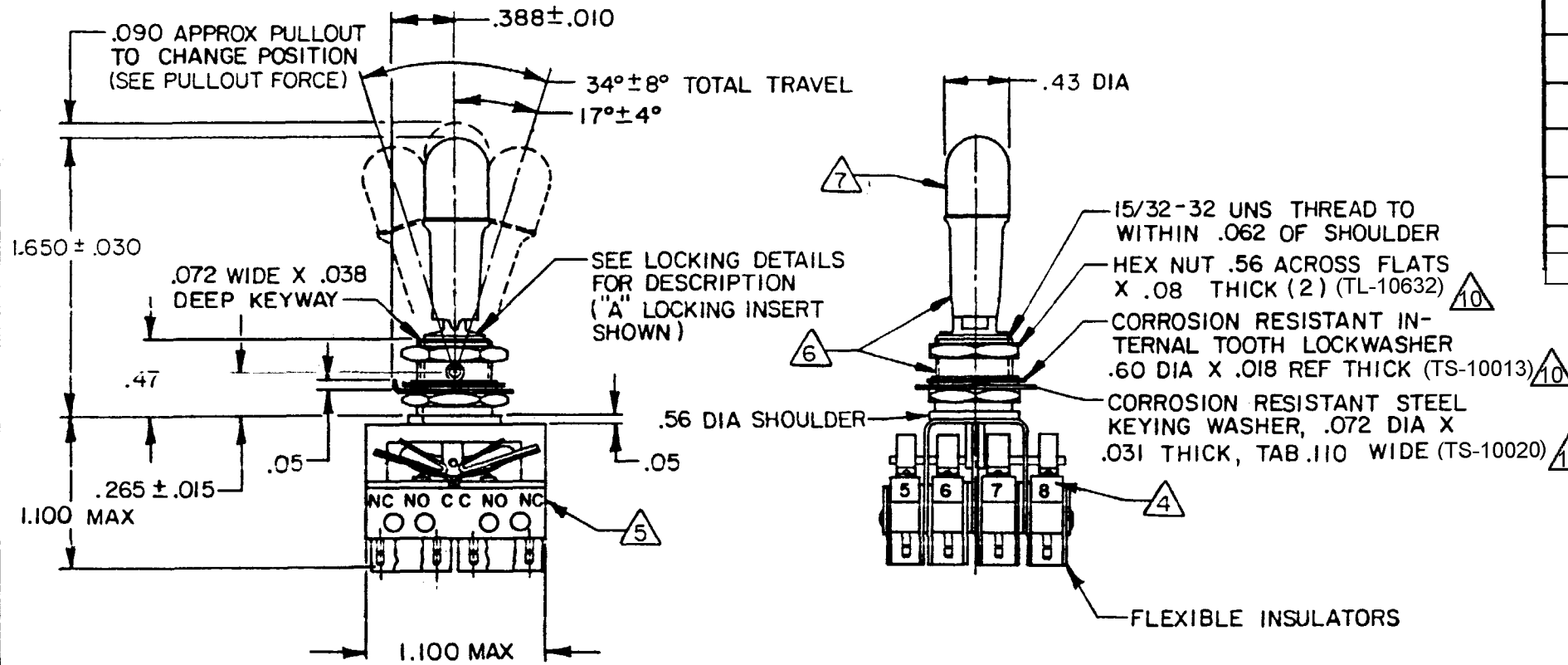
MICRO SWITCH
 FREEPORT, ILLINOIS, U.S.A.
 A DIVISION OF HONEYWELL
 FED. MFG. CODE 91929

**ASSEMBLY-
 TOGGLE SWITCH**

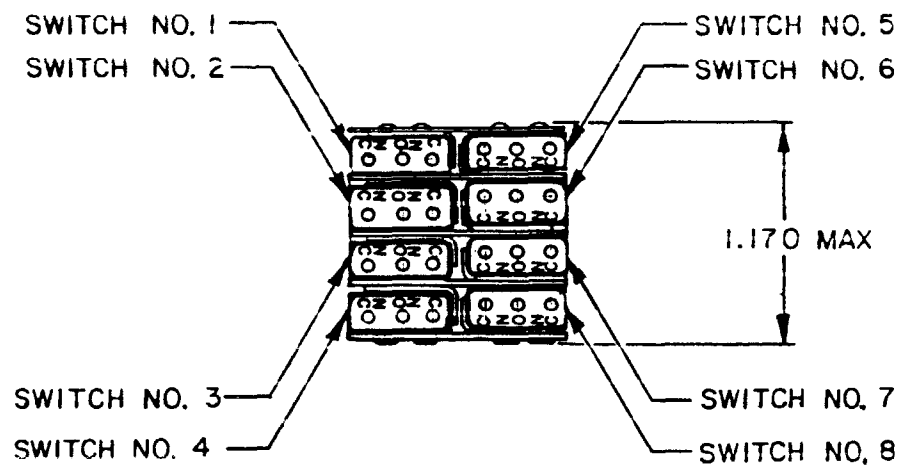
CATALOG LISTING
68AT34 SERIES
CHART 2

CATALOG LISTING	KEYWAY POSITION		CENTER POSITION		OPPOSITE KEYWAY POSITION		RECOMMENDED LOCKING COMBINATIONS
	C-NO	C-NC	C-NO	C-NC	C-NO	C-NC	
68AT34-1	5,6,7,8	1,2,3,4	NONE	ALL	1,2,3,4	5,6,7,8	A,B,D,E,F,G,H,J,K,L,M,N,P
68AT34-3	5,6,7,8	1,2,3,4	NONE	NONE	1,2,3,4	5,6,7,8	D,F,G
68AT34-5	5,6,7,8*	1,2,3,4*	NONE	ALL	1,2,3,4	5,6,7,8	E,F,K,L,M,N
68AT34-7	5,6,7,8*	1,2,3,4*	NONE	ALL	1,2,3,4*	5,6,7,8*	E,L,N

* ASTERISK DENOTES MOMENTARY POSITION



"A" LOCKED IN THREE POSITIONS	"B" LOCKED IN CENTER AND EXTREME POSITION (KEYWAY SIDE)	"D" LOCKED OUT OF CENTER POSITION	"E" LOCKED IN CENTER POSITION
"F" LOCKED IN EXTREME POSITION (OPPOSITE KEYWAY)	"G" LOCKED IN EXTREME POSITION (KEYWAY SIDE)	"H" LOCKED OUT OF CENTER AND EXTREME POSITION (KEYWAY SIDE)	"J" LOCKED OUT OF CENTER AND EXTREME POSITION (OPPOSITE KEYWAY)
"K" LOCKED IN CENTER AND EXTREME POSITION (OPPOSITE KEYWAY)	"L" LOCKED OUT OF EXTREME POSITION (KEYWAY SIDE)	"M" LOCKED OUT OF AND INTO EXTREME POSITION (OPPOSITE KEYWAY)	"N" LOCKED OUT OF EXTREME POSITION (OPPOSITE KEYWAY)
			"P" LOCKED OUT OF AND INTO EXTREME POSITION (KEYWAY SIDE)



NOTES

- UNIT INCLUDES "23SX" TYPE (GOLD CONTACT) BASIC SWITCH (8) (MEETS REQUIREMENTS OF MIL-PRF-8805/4)
- SWITCHES DO NOT NECESSARILY OPERATE SIMULTANEOUSLY
- PLATED TERMINALS WILL ACCEPT "AMP INC." .058 DIA PIN RECEPTACLES
- SWITCH NUMBERS MARKED ON END OF BASIC SWITCHES
- TERMINAL DESIGNATION MARKED ON BOTH SIDES OF UNIT
- DULL FINISH ON LEVER AND BUSHING
- FLAT WHITE RESILIENT SILICONE (50 DUROMETER APPROX)
- SUFFIX LETTER MUST BE ADDED FOR DESIRED TYPE TOGGLE LOCKING (SEE CHART FOR RECOMMENDED LOCKING COMBINATIONS)
- FOR REPLACEMENT BUTTON SEE MICRO SWITCH CATALOG LISTING 15PA90-6W
- HARDWARE FURNISHED ASSEMBLED WITH SWITCH OR IN PACKET 15PA313-AT PER MIL-PRF-8805
- REPLACEMENT MOUNTING HARDWARE PACKET 15PA313-AT

THIS DRAWING COVERS A PROPRIETARY ITEM AND IS THE PROPERTY OF MICRO SWITCH, A DIVISION OF HONEYWELL. THIS DRAWING IS NOT TO BE COPIED OR USED WITHOUT THE APPROVAL OF MICRO SWITCH.

CHARACTERISTICS	ELECTRICAL DATA	SCALE FULL
PULLOUT FORCE----- 3 LB MIN-5 LB MAX	CONTACT ARRANGEMENT S P D T (8)	DO NOT SCALE PRINT
	30 VOLTS DC RATING	UNLESS OTHERWISE SPECIFIED TOLERANCES ARE
	INDUCTIVE -----SEA LEVEL- 1/2 AMP 50,000 FT --- 1/2 AMP	ONE PLACE (.0) ± .030
	RESISTIVE -----SEA LEVEL- 1 AMP 50,000 FT --- 1 AMP	TWO PLACE (.00) ± .015
	MAXIMUM INRUSH ----- 2 AMP	THREE PLACE (.000) ± .005
		ANGLES ±
		THIRD ANGLE PROJECTION
		WEIGHT .11 LB APPROX

CATALOG LISTING
68AT34 SERIES CHART 2
 PAGE 1 OF 1
 ISSUE **M**
 7
 RELEASE NO. PR-17125
 CHECK
 REVISIONS
 A REL PR-17125
 11 FEB 89
 B COB4143
 JAK 4 APR 97
 C CO92352
 DLT 23 JUN 99
 D 203961
 CSL 20 SEP 01
 E 204763
 GJW 28 JAN 02
 F 204852
 CHECK MAM 21 FEB 89
 CHECK LAD 21 FEB 89
 DRAWN RASTER