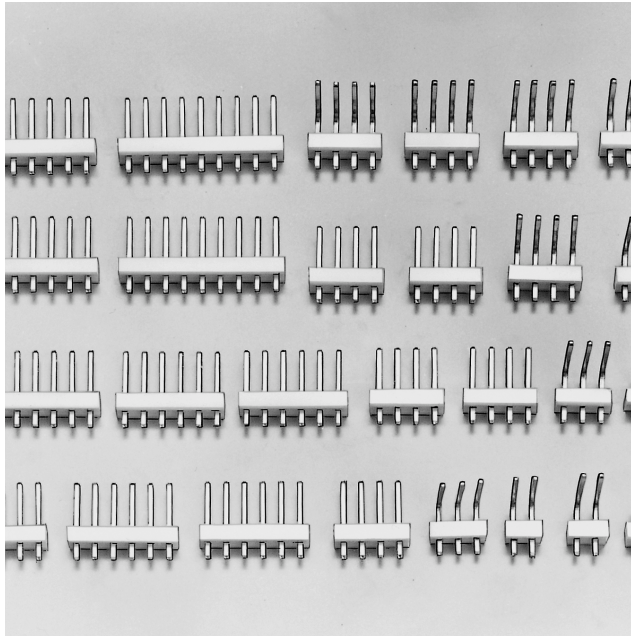
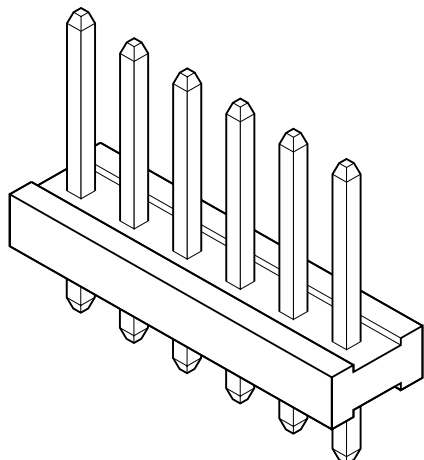


VS HEADER

Headers



This header can mate with a receptacle or as a connector for the direct interconnection of printed circuit boards.



Specifications

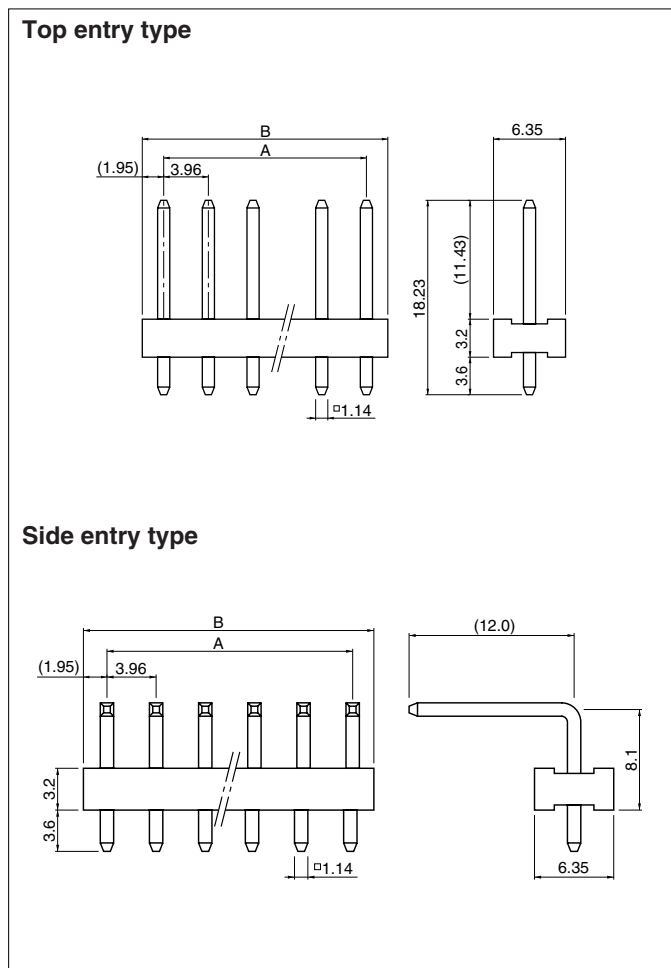
- Post: Brass, copper-undercoated, tin-plated (reflow treatment)
- Wafer: PA 66, UL94V-0 (natural)
- Pitch: 3.96mm
- * Compliant with RoHS.
- * Refer to "General Instruction and Notice when using Terminals and Connectors" at the end of this catalog.
- * Contact JST for details.

Standards

 Recognized E60389

 Certified LR20812

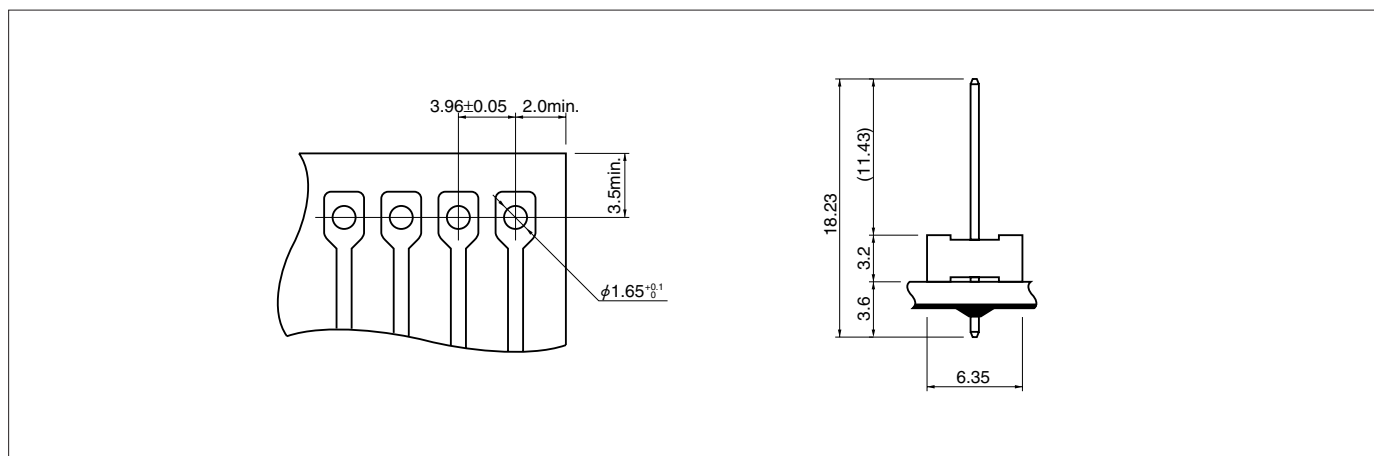
Header



Cir- cuits	Model No.		Dimensions (mm)	
	Top entry type	Side entry type	A	B
2	B 2P-VS	B 2PS-VS	3.96	7.86
3	B 3P-VS	B 3PS-VS	7.92	11.82
4	B 4P-VS	B 4PS-VS	11.88	15.78
5	B 5P-VS	B 5PS-VS	15.84	19.74
6	B 6P-VS	B 6PS-VS	19.80	23.70
7	B 7P-VS	B 7PS-VS	23.76	27.66
8	B 8P-VS	B 8PS-VS	27.72	31.62
9	B 9P-VS	B 9PS-VS	31.68	35.58
10	B10P-VS	B10PS-VS	35.64	39.54
11	B11P-VS	B11PS-VS	39.60	43.50
12	B12P-VS	B12PS-VS	43.56	47.46
13	B13P-VS	B13PS-VS	47.52	51.42
14	B14P-VS	B14PS-VS	51.48	55.38
15	B15P-VS	B15PS-VS	55.44	59.34

RoHS compliance This product displays (LF)(SN) on a label.

PC board layout (viewed from soldering side) and Assembly layout



Note:

1. Tolerances are non-cumulative: $\pm 0.05\text{mm}$ for all centers.
2. Hole dimensions differ according to the kind of PC board and piercing method. The dimensions above should serve as a guideline. Contact JST for details.