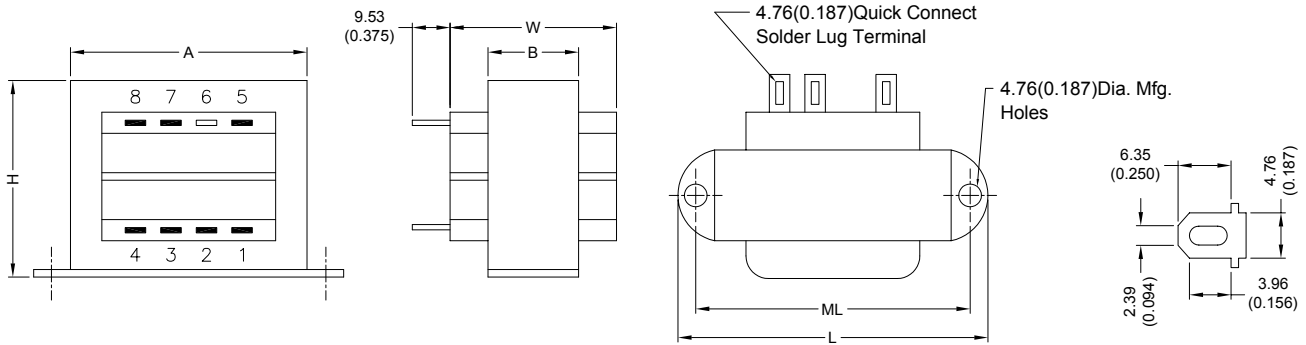


POWER TRANSFORMER

DCS3-40 (F) SERIES

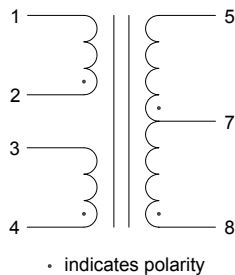
1. CONFIGURATION & DIMENSIONS :



UNIT : mm (inch)

SIZE	VA	L	W	H	A	B	ML	gram
3	2.4	52.40 (2.063)	27.00 (1.063)	30.18 (1.188)	41.28 (1.625)	14.30 (0.563)	44.45 (1.75)	113.40

2. SCHEMATIC :



3. ELECTRICAL CHARACTERISTICS (@ 25°C) :

a. Primary Voltage	AC 115/230 V 50/60 Hz .
b. No Load Primary Current	Less Than 10mA / 15mA .
c. Secondary Voltage (±5%)	
Pin 5-8 C.T. Pin 7	AC 49.20 V / 49.20 V .
d. Secondary Load Current	0.06A .
e. Full Load Primary Current	Less Than 40mA / 25mA .
f. Full Load Secondary Voltage (±5%)	40.00V / 40.00V .
Pin 5-8 C.T. Pin 7	
g. DC Resistance	
Pin 1-2	Primary-1 = 575 Ohm .
Pin 3-4	Primary-2 = 750 Ohm .
Pin 5-7	Secondary-1 = - Ohm .
Pin 7-8	Secondary-2 = - Ohm .
h. Insulation Resistance	DC 500V 100Meg Ohm Of More .
i. Withstand Voltage (Hi-Pot)	AC 2500V 60Hz 1 Minutes .
j. Temperature Rise	Less Than 60 Deg C .
k. Core Size	EI-35 x 13.00 m/m .
l. Turns & Wire Gauge	
Primary-1 Pin 1-2	2660 Turns Diameter 0.08 mm
Primary-2 Pin 3-4	2660 Turns Diameter 0.08 mm
Secondary Pin 5-7-8	572 x 2 Turns Diameter 0.14 mm



RoHS Compliant

NOTE : Specifications subject to change without notice. Please check our website for latest information.

25.02.2008



SUPERWORLD ELECTRONICS (S) PTE LTD

PG. 1