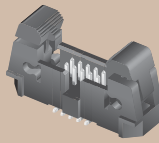


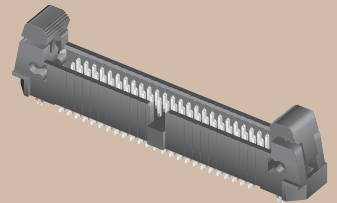
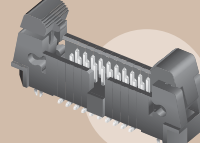
(1,27mm) .050"

EHF, ECF SERIES

EHF-110-01-F-D-SM-LC



EHF-105-01-F-D-SM



EHF-125-01-L-D-SM-LC

SHROUDED IDC EJECTOR HEADER

SPECIFICATIONS

For complete specifications and recommended PCB layouts see www.samtec.com?EHF

Insulator Material: Black Liquid Crystal Polymer



Terminal Material: Phosphor Bronze

Plating: Sn or Au over 50µ" (1,27µm) Ni

Current Rating: 1.75A @ 80°C ambient

Operating Temp Range: -55°C to +125°C

RoHS Compliant: Yes

Processing:

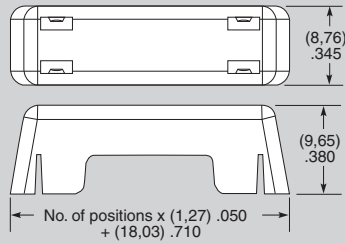
Max Processing Temp: 230°C for 60 seconds, or 260°C for 20 seconds 3x

Lead-Free Solderable: Yes

SMT Lead Coplanarity: (0,10mm) .004" max

Mates with: FFSD, FFTP

EJECTOR HEADER CAP (Locks FFSD cable to EHF header)

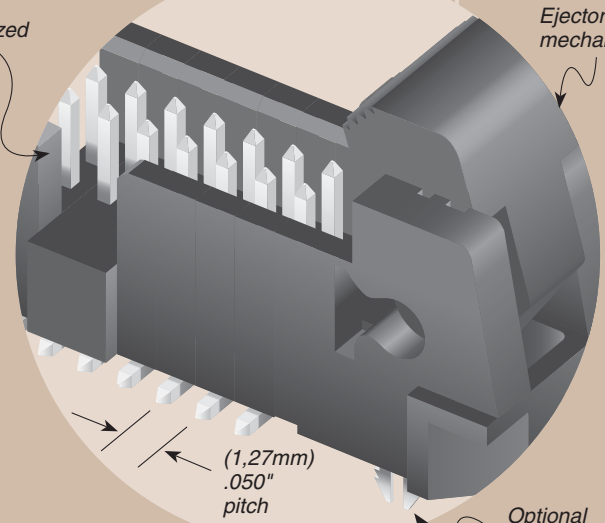


ECF — NO. PINS PER ROW

05, 08, 10, 13, 17, 20, 25

Polarized

Ejector mechanism



(1,27mm) .050" pitch

Optional Locking Clip

EHF	1	NO. PINS PER ROW	01	PLATING OPTION	D	TAIL OPTION	OTHER OPTION
05, 08, 10, 13, 17, 20, 25				-F = Gold flash on post, Matte Tin on tail	-L = 10µ" (0,25µm) Gold on post, Matte Tin on tail	Leave blank for Through-Hole version -SM = Surface Mount -RA = Right Angle	-“XX” = Polarized Position (-RA not available) -LC = Locking Clip (-SM Only) -K = (7,50mm) .295" DIA Polyimide Film Pick & Place Pad -P = Pick & Place Pad (-SM Only) -TR = Tape & Reel Packaging (-LC not available)
				-SM -RA -TH		-SM -TH	

(Latch removed for clarity)

Note: Some lengths, styles and options are non-standard, non-returnable.

Due to technical progress, all designs, specifications and components are subject to change without notice.

WWW.SAMTEC.COM