

isc Silicon NPN Power Transistor

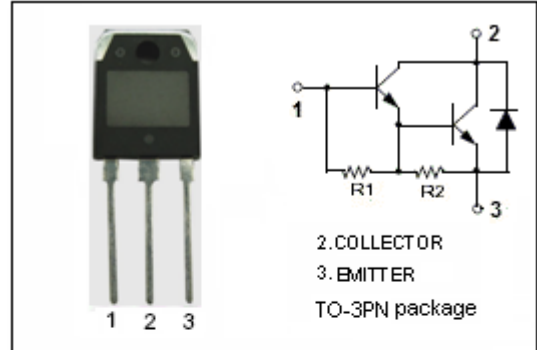
BUV37

DESCRIPTION

- Collector-Emitter Sustaining Voltage-
: $V_{CEO(SUS)} = 400V(\text{Min.})$
- Low Collector Saturation Voltage-
: $V_{CE(sat)} = 2.0V(\text{Max.}) @ I_C = 10A$

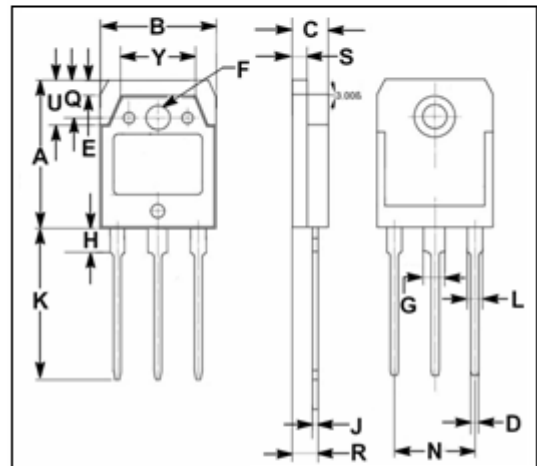
APPLICATIONS

- Designed for use in automotive ignition circuits.



ABSOLUTE MAXIMUM RATINGS ($T_a = 25^\circ\text{C}$)

SYMBOL	PARAMETER	VALUE	UNIT
V_{CBO}	Collector-Base Voltage	600	V
V_{CEO}	Collector-Emitter Voltage	400	V
V_{EBO}	Emitter-Base Voltage	8	V
I_C	Collector Current- Continuous	15	A
I_{CM}	Collector Current-Peak	30	A
I_B	Base Current - Continuous	4	A
P_C	Collector Power Dissipation @ $T_C = 25^\circ\text{C}$	100	W
T_j	Junction Temperature	150	$^\circ\text{C}$
T_{stg}	Storage Temperature Range	-65~150	$^\circ\text{C}$



DIM	mm	
	MIN	MAX
A	19.90	20.10
B	15.50	15.70
C	4.70	4.90
D	0.90	1.10
E	1.90	2.10
F	3.40	3.60
G	2.90	3.10
H	3.20	3.40
J	0.595	0.605
K	20.50	20.70
L	1.90	2.10
N	10.89	10.91
Q	4.90	5.10
R	3.35	3.45
S	1.995	2.005
U	5.90	6.10
Y	9.90	10.10

THERMAL CHARACTERISTICS

SYMBOL	PARAMETER	MAX	UNIT
$R_{th\ j-c}$	Thermal Resistance, Junction to Case	1.25	$^\circ\text{C/W}$

isc Silicon NPN Power Transistor**BUV37****ELECTRICAL CHARACTERISTICS** $T_C=25^{\circ}\text{C}$ unless otherwise specified

SYMBOL	PARAMETER	CONDITIONS	MIN	TYP	MAX	UNIT
$V_{CEO(SUS)}$	Collector-Emitter Sustaining Voltage	$I_C= 5A; I_B= 0; L= 15mH$	400			V
$V_{CE(sat)-1}$	Collector-Emitter Saturation Voltage	$I_C= 7 A; I_B= 70mA$			1.5	V
$V_{CE(sat)-2}$	Collector-Emitter Saturation Voltage	$I_C= 10 A; I_B= 150mA$			2.0	V
$V_{BE(sat)}$	Base-Emitter Saturation Voltage	$I_C= 10 A; I_B= 150mA$			2.7	V
I_{CEO}	Collector Cutoff Current	$V_{CE}= 400V; I_B= 0$			0.25	mA
I_{EBO}	Emitter Cutoff Current	$V_{EB}= 6V; I_C= 0$			40	mA
h_{FE}	DC Current Gain	$I_C= 15A; V_{CE}= 5V$	20			