

Features

- Formerly *JW.Miller* model
- Current rating up to 3.9 A
- Inductance range: 10 μ H to 1000 μ H
- Shielded construction
- RoHS compliant*

Applications

- DC/DC converters
- Power supplies
- Desktop notebooks
- Output chokes

RL110S Series - Radial Lead RF Choke

Electrical Specifications (@ 25 °C)

Part Number	Inductance (μ H)	Tol.	Q	Test Frequency		SRF (MHz) Typ.	DCR (Ω) Max.	I dc (A)
				L	Q			
RL110S-100M-RC	10	$\pm 20\%$	50	2.52 MHz	2.52 MHz	32	0.023	3.9
RL110S-120M-RC	12	$\pm 20\%$	50	2.52 MHz	2.52 MHz	26	0.024	3.6
RL110S-150M-RC	15	$\pm 20\%$	50	2.52 MHz	2.52 MHz	23	0.036	3.2
RL110S-180M-RC	18	$\pm 20\%$	50	2.52 MHz	2.52 MHz	20	0.039	2.9
RL110S-220M-RC	22	$\pm 20\%$	50	2.52 MHz	2.52 MHz	14	0.042	2.6
RL110S-270M-RC	27	$\pm 20\%$	40	2.52 MHz	2.52 MHz	12	0.045	2.4
RL110S-330L-RC	33	$\pm 15\%$	40	2.52 MHz	2.52 MHz	10	0.057	2.1
RL110S-390L-RC	39	$\pm 15\%$	40	2.52 MHz	2.52 MHz	8.5	0.076	2.0
RL110S-470L-RC	47	$\pm 15\%$	40	2.52 MHz	2.52 MHz	8.0	0.10	1.8
RL110S-560L-RC	56	$\pm 15\%$	35	2.52 MHz	2.52 MHz	7.5	0.11	1.6
RL110S-680L-RC	68	$\pm 15\%$	35	2.52 MHz	2.52 MHz	6.0	0.15	1.5
RL110S-820L-RC	82	$\pm 15\%$	35	2.52 MHz	2.52 MHz	4.7	0.16	1.4
RL110S-101L-RC	100	$\pm 15\%$	30	1 KHz	0.79 MHz	4.4	0.19	1.2
RL110S-121L-RC	120	$\pm 15\%$	30	1 KHz	0.79 MHz	4.2	0.21	1.1
RL110S-151L-RC	150	$\pm 15\%$	25	1 KHz	0.79 MHz	3.6	0.23	1.0
RL110S-181L-RC	180	$\pm 15\%$	25	1 KHz	0.79 MHz	3.3	0.26	0.92
RL110S-221L-RC	220	$\pm 15\%$	25	1 KHz	0.79 MHz	3.1	0.29	0.83
RL110S-271L-RC	270	$\pm 15\%$	25	1 KHz	0.79 MHz	2.9	0.36	0.75
RL110S-331L-RC	330	$\pm 15\%$	25	1 KHz	0.79 MHz	2.7	0.51	0.68
RL110S-391L-RC	390	$\pm 15\%$	25	1 KHz	0.79 MHz	2.4	0.69	0.62
RL110S-471L-RC	470	$\pm 15\%$	25	1 KHz	0.79 MHz	1.5	0.98	0.57
RL110S-561L-RC	560	$\pm 15\%$	20	1 KHz	0.79 MHz	2.0	1.10	0.52
RL110S-681L-RC	680	$\pm 15\%$	20	1 KHz	0.79 MHz	1.8	1.20	0.47
RL110S-821L-RC	820	$\pm 15\%$	10	1 KHz	0.79 MHz	1.6	1.30	0.43
RL110S-102L-RC	1000	$\pm 15\%$	50	1 KHz	0.25 MHz	1.5	1.50	0.39

General Specifications

Rated Current.... Inductance drop 10 %, or 40 °C temperature rise at I dc
 Operating Temperature -30 °C to +100 °C
 Storage Temperature -30 °C to +100 °C

Materials

Core Material Ferrite
 Wire Enameled copper
 Terminal Coating..... Sn/Ag/Cu alloy

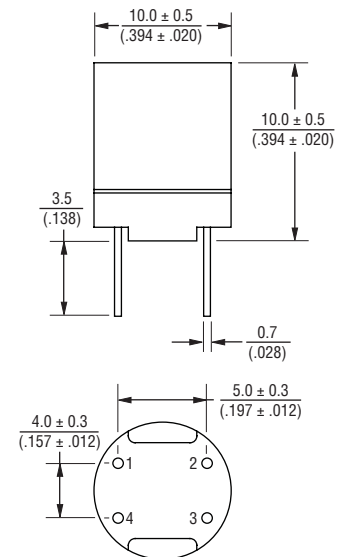
Marking

..... Value code on top of inductor

Packaging

Standard..... 100 pcs. per bag

Product Dimensions



DIMENSIONS: $\frac{\text{MM}}{\text{(INCHES)}}$

How To Order

RL110S - 471L - RC

Model _____
 Value/Tolerance Code (see table) _____
 Compliance Code _____
 RC = RoHS Compliant

Example:
 RL110S-471L-RC = 470 μ H, $\pm 15\%$

Electrical Schematic

