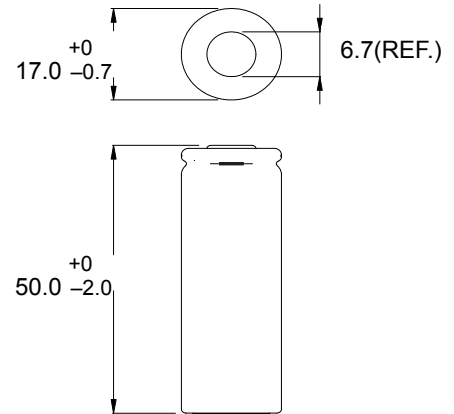
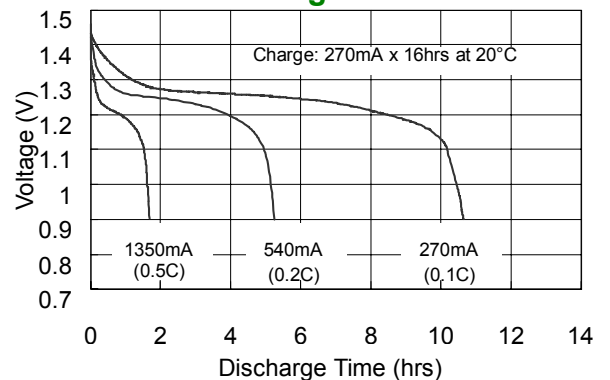


Model No.: GP270AFH

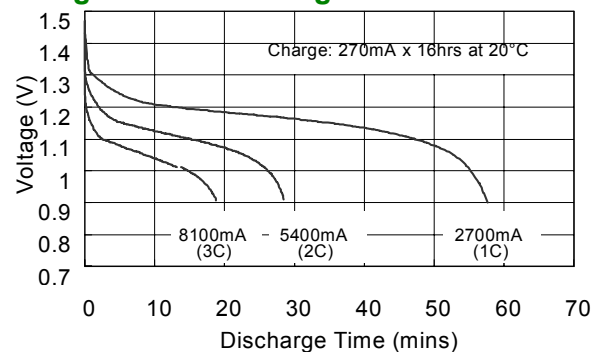
Type	: Rechargeable Nickel Metal Hydride Cylindrical Cell
Nominal Dimension (with Sleeve)	: $\Phi = 17.0\text{mm}$ H = 50.0mm
Applications	: Recommended discharge current 270 to 8100mA
Nominal Voltage	: 1.2V
Capacity	: Nominal: 2700mAh Minimum: 2600mAh Typical: 2700mAh When discharged at 540mA to 1.0V at 20°C
Charging Condition	: 270mA for 16 hrs at 20°C
Fast Charge	: 1350mA to 2700mA (0.5 to 1C) charge termination control recommended control parameters: - ΔV : 0-5mV DT/dt : 0.8°C/min (0.5 to 0.9C) 0.8 - 1°C/min (1C) TCO : 45 - 50°C Timer : 105% nominal input (for ref. only)
Service Life	: >500 cycles (IEC 61951-2)
Continuous Overcharge	: 270mA maximum current for 1 year. No conspicuous deformation and/or leakage
Weight	: 39.5g
Internal Resistance	: Average 13m Ω upon fully charged (Range 8 - 20m Ω) at 1000Hz
Max. Charging Voltage	: 1.5V at 270mA charging
Ambient Temperature Range	: Standard Charge : 0 to 45°C Fast Charging : 10 to 45°C Discharge : -20 to 50°C Storage : -20 to 35°C



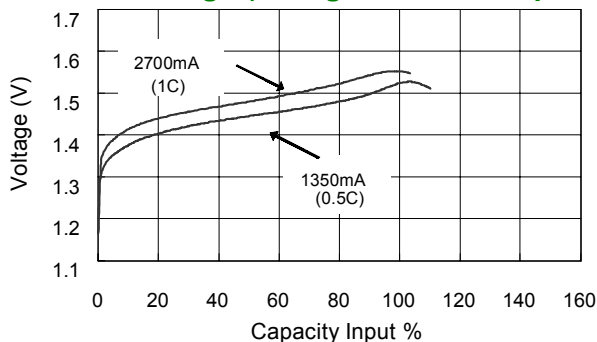
Low Rate discharge



High Rate Discharge



Fast Charge (Charge Control Required)



The information (subject to change without prior notice) contained in this document is for reference only and should not be used as a basis for product guarantee or warranty. For applications other than those described here, please consult your nearest GP Sales and Marketing Office or Distributors.