

# SMT Jumper Link

- Designed to link PCB tracks where through hole links are not possible.
- Typical applications include use on aluminium backplanes in power applications.
- High current.
- Small footprint.



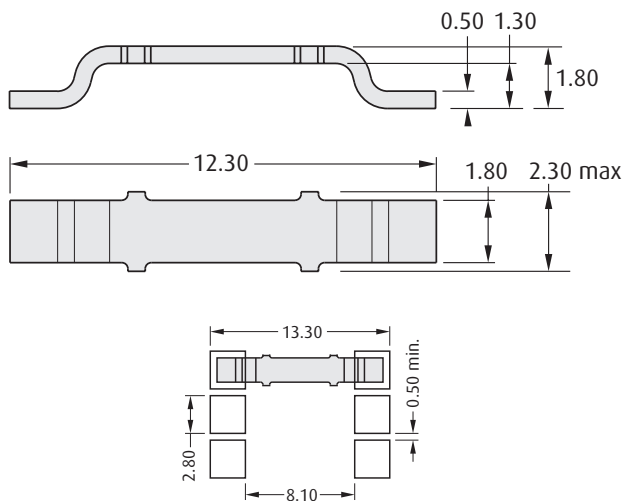
## 12.3mm LONG

### Materials

Material: Copper Alloy  
Finish: See Order Code

### Packaging

Format: Tape and Reel or Loose  
Reel quantity: 5,000 on a Ø330mm reel



Recommended PC Board Pattern

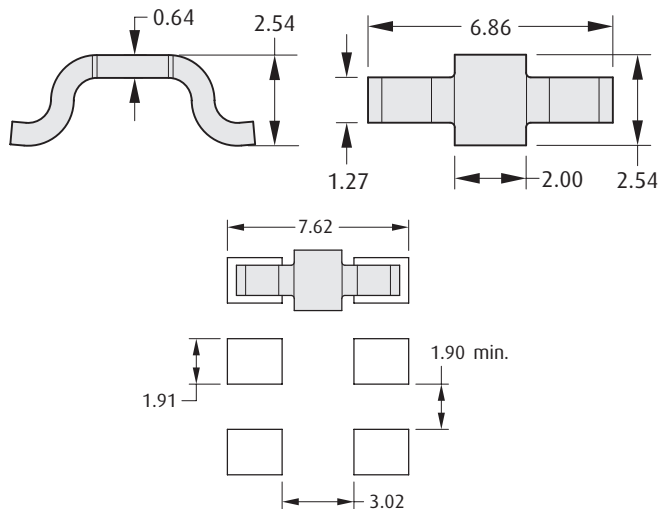
## 6.86mm LONG

### Materials

Material: Copper  
Finish: See Order Code

### Packaging

Format: Tape and Reel or Loose  
Reel quantity: 2,500 on a Ø330mm reel



Recommended PC Board Pattern

## HOW TO ORDER

**S1 XX 1 - XX R**

SERIES CODE

TYPE	
62	12.3mm long
73	6.86mm long

### PACKAGING

R	Tape & Reeled
Blank	Loose

### FINISH

06	Tin/Lead	
46	Tin	

All dimensions in mm.

[www.harwin.com](http://www.harwin.com)

