



E-Series I/Q Modulator

869 – 894 MHz

EQKS8-880

Features

- High carrier suppression
- High 3I and 5I suppression
- Surface Mount

Specifications @ 25°C¹

Frequency Range	
(LO) Carrier	869–894 MHz
I/Q	DC–2 MHz
(LO) Carrier Suppression ²	34 dBc Min
SSB Rejection ²	36 dBc Min
Harmonic Suppression ²	
3 x I/Q	37 dBc Min
5 x I/Q	55 dBc Min
Conversion Loss	11 dB Max
LO Power	+10 dBm ±1 dB
I/Q Drive Level	-7 dBm

Note 1. When Q = +90 ° relative to I, Lower sideband is suppressed
 2. Related to wanted sideband power.

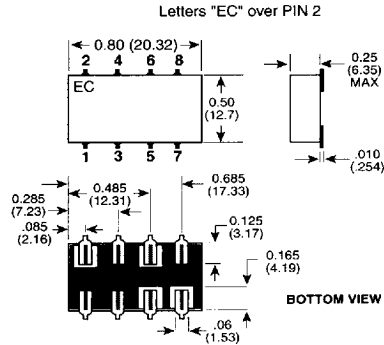
Operating Characteristics

Impedance	
LO Port	50 Ohms Nom
Output Port	50 Ohms Nom
I/Q Port	50 Ohms Nom

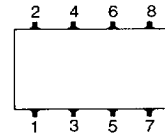
Absolute Maximum Ratings

Parameter	Absolute Maximum
Operating Temp.	0°C to +70 °C
Storage Temp.	-55 °C to +100 °C
Pin Temp (10 sec)	260°C

SM-7-1



Pin Configuration (Top View)



Function	Pin No.
LO	1
RF	8
I	5
Q	6
Termination	2*
Case Ground	3,4,7

*Internal 50 Ohm Termination.
 Pin 2 must be connected to circuit grand.

Specifications Subject to Change Without Notice

M/A-COM Inc. ■ 1011 Pawtucket Boulevard, Lowell, MA 01853 USA

Telephone: 800-366-2266