



Document Title	HSD089IFW1 Specification for STUDIO	Page No.	1/27
Document No.		Revision	1.0

TO : STUDIO

Date : Aug,07, 2008

Customer Acceptance Specification

Model : HSD089IFW1 -A00

相關文件：

Accepted by:	
Signature	Date
Proposed by: Technical Service Division	
Signature	Date

Note:

1. Please contact HannStar Display Corp. before designing your product based on this module specification.
2. The information contained herein is presented merely to indicate the characteristics and performance of our products. No responsibility is assumed by HannStar for any intellectual property claims or other problems that may result from application based on the module described herein.



Document Title	HSD089IFW1 Specification for STUDIO	Page No.	2/27
Document No.		Revision	1.0

Record of Revisions

Rev.	Date	Sub-Model	Description of change
1.0	Aug,07, 2008	A00	Formal Product Specification was first released.



Document Title	HSD089IFW1 Specification for STUDIO	Page No.	3/27
Document No.		Revision	1.0

Contents

1.0	General description	p.4
2.0	Absolute maximum ratings.....	p.5
3.0	Optical characteristics	p.6
4.0	Block diagram	p.10
5.0	Interface pin connection	p.12
6.0	Electrical characteristics	p.14
7.0	Reliability test items	p.17
8.0	Outline dimension	p.18
9.0	Lot mark	p.20
10.0	Package specification	p.21
11.0	General precaution	p.22
12.0	EDID Table	p.24

Document Title	HSD089IFW1 Specification for STUDIO	Page No.	4/27
Document No.		Revision	1.0

1.0 GENERAL DESCRIPTION

1.1 Introduction

HannStar Display model HSD089IFW1 is a color active matrix thin film transistor (TFT) liquid crystal display (LCD) that uses amorphous silicon TFT as a switching device. This model is composed of a TFT LCD panel, a driving circuit and a back light system. This TFT LCD has a 8.9 (17:10) inch diagonally measured active display area with WSVGA (1024 horizontal by 600 vertical pixel) resolution.

1.2 Features

- 8.9 (17:10 diagonal) inch configuration
- One channel LVDS interface
- 256K color by 6 bit R.G.B signal input
- RoHS Compliance

1.3 Applications

- Mobile NB
- Digital Photo frame
- Display terminal for AV application

1.4 General information

Item	Specification	Unit	
Outline Dimension	213.36x 129.55 x 5.15 (Typ.)	mm	
Display area	195.072(H) x 113.4(V)	mm	
Number of Pixel	1024 RGB(H) x600(V)	pixels	
Pixel pitch	190.5(H) x 189(V)	mm	
Pixel arrangement	RGB Vertical stripe		
Display mode	Normally white		
Surface treatment	Antiglare, Hard-Coating (3H) with EWW film		
Weight	200 (Typ.)	g	
Back-light	Single LED (Side-Light type)		
Power Consumption	Logic System	0.95 (Max.)	W
	B/L System	2.1 (Max.)	W

1.5 Mechanical Information

Item	Min.	Typ.	Max.	Unit	
Module Size	Horizontal (H)	213.06	213.36	213.66	mm
	Vertical (V)	129.25	129.55	129.85	mm
	Depth (D)	—	5.15	5.45	mm
Weight	—	200	215	g	

Document Title	HSD089IFW1 Specification for STUDIO	Page No.	5/27
Document No.		Revision	1.0

2.0 ABSOLUTE MAXIMUM RATINGS

2.1 Electrical Absolute Rating

2.1.1 TFT LCD Module

Item	Symbol	Min.	Max.	Unit	Note
LED Power Supply voltage	V_{LED}	-0.3	6.0	V	GND=0
Logic Supply voltage	V_{DD}	-0.3	6.0	V	

2.2 Environment Absolute Rating

Item	Symbol	Min.	Max.	Unit	Note
Operating Temperature	T_{opa}	0	50	°C	
Storage Temperature	T_{stg}	-20	60	°C	

Document Title	HSD089IFW1 Specification for STUDIO	Page No.	6/27
Document No.		Revision	1.0

3.0 OPTICAL CHARACTERISTICS

3.1 Optical specification

Item		Symbol	Condition	Min.	Typ.	Max.	Unit	Note	
Contrast		CR	$\Theta=0$ Normal viewing angle	400	500	—		(1)(2)	
Response time	Rising	T_R		—	5	7	msec	(1)(3)	
	Falling	T_F		—	20	28			
White luminance (Center)		Y_L		$CR>10$	180	220	—	cd/m^2	(1)(4) ($I_L=160mA$)
Color chromaticity (CIE1931)	White	W_x	0.260		0.310	0.360		(1)(4)	
		W_y	0.280		0.330	0.380			
Viewing angle	Hor.	Θ_L	60		70	—			
		Θ_R	60	70	—				
	Ver.	Θ_U	40	50	—				
		Θ_D	50	60	—				
Brightness uniformity		B_{UNI}	$\Theta=0$	70	—	—	%	(5)	
Optima View Direction		6 O' clock						(6)	

3.2 Measuring Condition

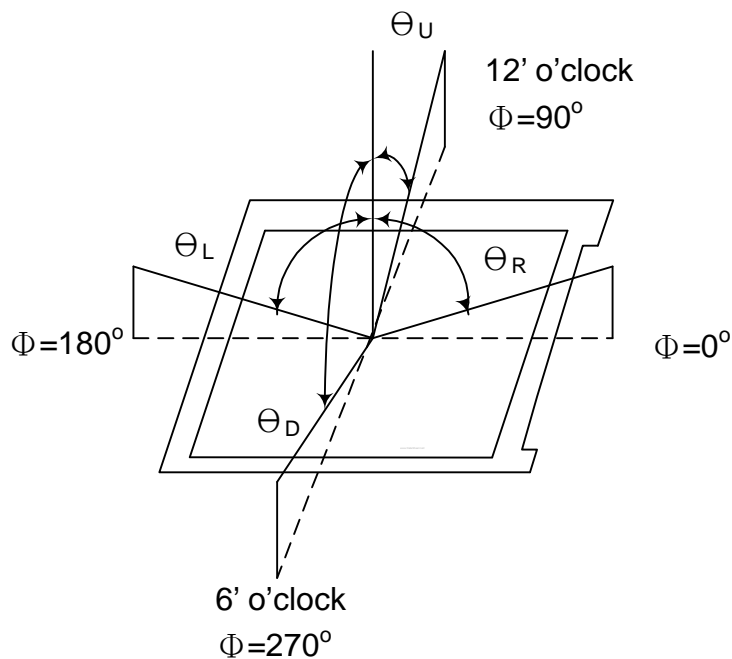
- Measuring surrounding : dark room
- LED current I_L : 150mA
- Ambient temperature : $25\pm 2^\circ C$
- 15min. warm-up time.

Document Title	HSD089IFW1 Specification for STUDIO	Page No.	7/27
Document No.		Revision	1.0

3.3 Measuring Equipment

- FPM520 of Westar Display technologies, INC., which utilized SR-3 for Chromaticity and BM-5A for other optical characteristics.
- Measuring spot size : 20 ~ 21 mm

Note (1) Definition of Viewing Angle:

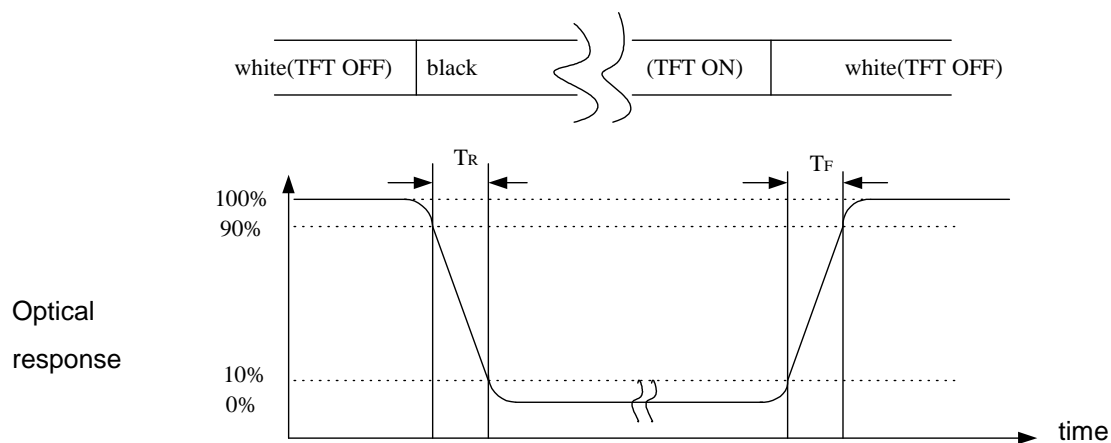


Note (2) Definition of Contrast Ratio (CR) :
measured at the center point of panel

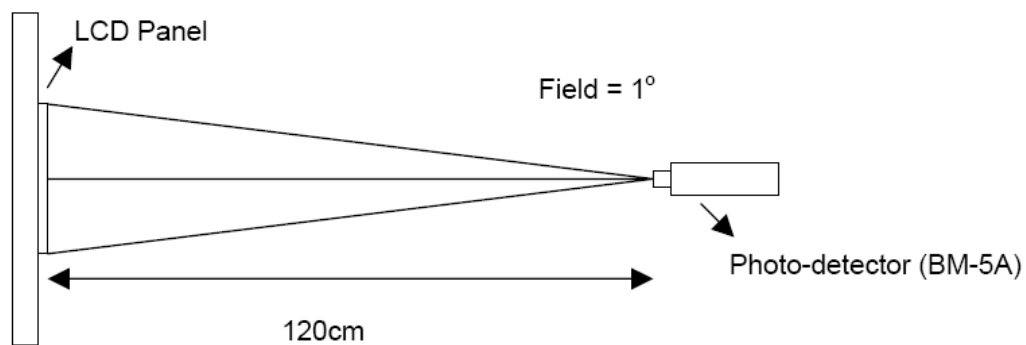
$$CR = \frac{\text{Luminance with all pixels white}}{\text{Luminance with all pixels black}}$$

Document Title	HSD089IFW1 Specification for STUDIO	Page No.	8/27
Document No.		Revision	1.0

Note (3) Definition of Response Time : Sum of T_R and T_F

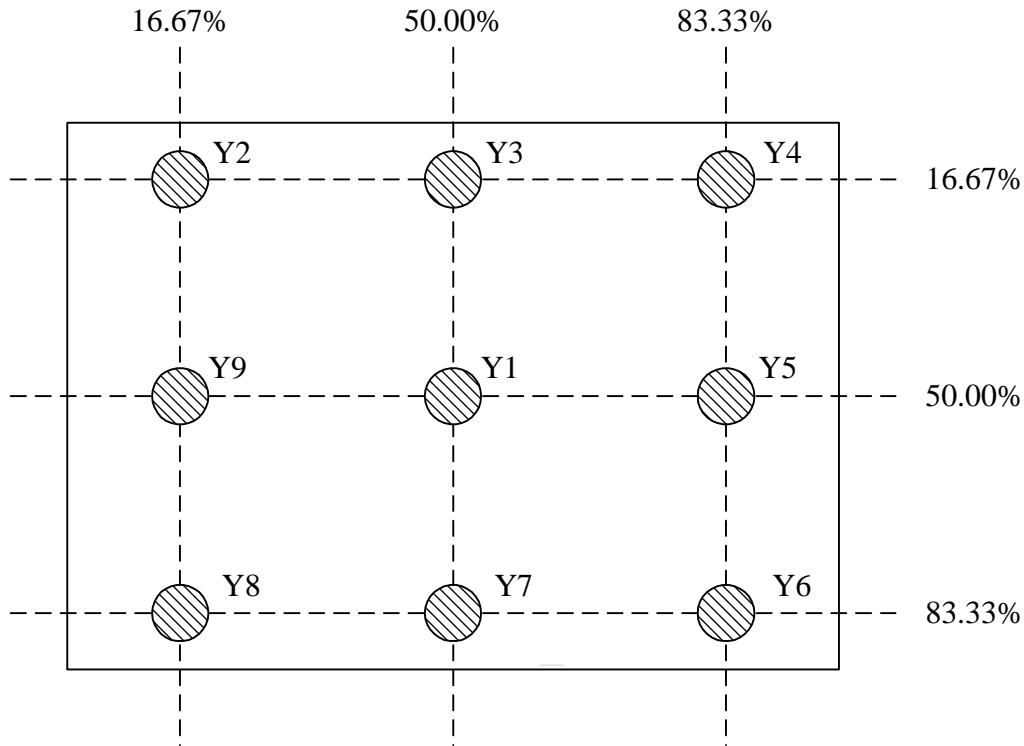


Note (4) Definition of optical measurement setup



Document Title	HSD089IFW1 Specification for STUDIO	Page No.	9/27
Document No.		Revision	1.0

Note (5) Definition of brightness uniformity



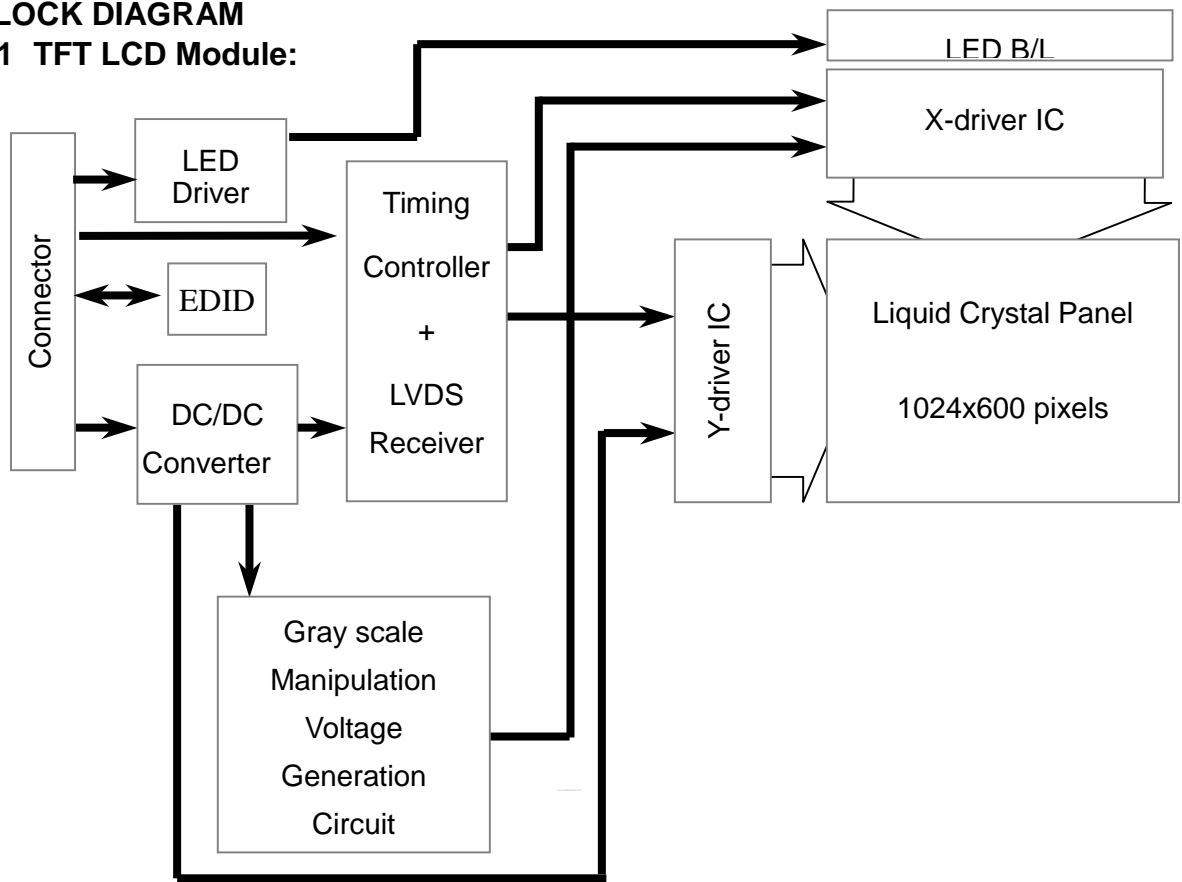
$$\text{Luminance uniformity} = \frac{(\text{Min Luminance of 9 points})}{(\text{Max Luminance of 9 points})} \times 100\%$$

Note (6) : Rubbing Direction (The different Rubbing Direction will cause the different optima view direction).

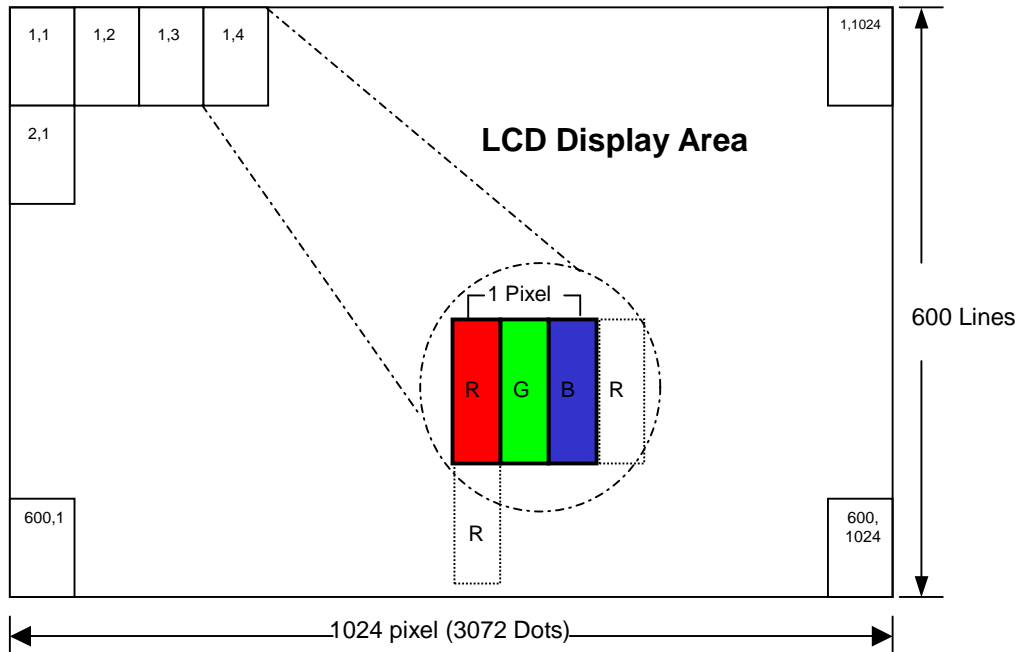
Document Title	HSD089IFW1 Specification for STUDIO	Page No.	10/27
Document No.		Revision	1.0

4.0 BLOCK DIAGRAM

4.1 TFT LCD Module:



4.2 Pixel Format



Document Title	HSD089IFW1 Specification for STUDIO	Page No.	11/27
Document No.		Revision	1.0

4.3 Relationship Between Displayed Color and Input

Display	MSB						LSB						MSB						LSB						Gray scale level
	R5	R4	R3	R2	R1	R0	G5	G4	G3	G2	G1	G0	B5	B4	B3	B2	B1	B0							
Basic color	Black	L	L	L	L	L	L	L	L	L	L	L	L	L	L	L	L	L	L	-					
Blue	L	L	L	L	L	L	L	L	L	L	L	L	L	H	H	H	H	H	H	-					
Green	L	L	L	L	L	L	L	H	H	H	H	H	H	L	L	L	L	L	L	-					
Light Blue	L	L	L	L	L	L	L	H	H	H	H	H	H	H	H	H	H	H	H	-					
Red	H	H	H	H	H	H	H	L	L	L	L	L	L	L	L	L	L	L	L	-					
Purple	H	H	H	H	H	H	H	L	L	L	L	L	L	H	H	H	H	H	H	-					
Yellow	H	H	H	H	H	H	H	H	H	H	H	H	H	L	L	L	L	L	L	-					
White	H	H	H	H	H	H	H	H	H	H	H	H	H	H	H	H	H	H	H	-					
Gray scale of Red	Black	L	L	L	L	L	L	L	L	L	L	L	L	L	L	L	L	L	L	L0					
	Dark ↑ ↓ Light	L	L	L	L	L	H	L	L	L	L	L	L	L	L	L	L	L	L	L	L1				
		L	L	L	L	H	L	L	L	L	L	L	L	L	L	L	L	L	L	L	L2				
		:						:						:						L3...L60					
		H	H	H	H	L	H	L	L	L	L	L	L	L	L	L	L	L	L	L	L61				
		H	H	H	H	H	L	L	L	L	L	L	L	L	L	L	L	L	L	L	L62				
	Red	H	H	H	H	H	H	L	L	L	L	L	L	L	L	L	L	L	L	L	Red L63				
Gray scale of Green	Black	L	L	L	L	L	L	L	L	L	L	L	L	L	L	L	L	L	L	L0					
	Dark ↑ ↓ Light	L	L	L	L	L	L	L	L	L	L	L	L	H	L	L	L	L	L	L	L1				
		L	L	L	L	L	L	L	L	L	L	L	H	L	L	L	L	L	L	L	L2				
		:						:						:						L3...L60					
		L	L	L	L	L	L	L	H	H	H	H	L	H	L	L	L	L	L	L	L61				
		L	L	L	L	L	L	L	H	H	H	H	H	L	L	L	L	L	L	L	L62				
	Green	L	L	L	L	L	L	L	H	H	H	H	H	H	L	L	L	L	L	L	Green L63				
Gray scale of Blue	Black	L	L	L	L	L	L	L	L	L	L	L	L	L	L	L	L	L	L	L0					
	Dark ↑ ↓ Light	L	L	L	L	L	L	L	L	L	L	L	L	L	L	L	L	L	L	H	L1				
		L	L	L	L	L	L	L	L	L	L	L	L	L	L	L	L	L	H	L	L2				
		:						:						:						L3...L60					
		L	L	L	L	L	L	L	L	L	L	L	L	L	H	H	H	H	L	H	L61				
		L	L	L	L	L	L	L	L	L	L	L	L	L	H	H	H	H	H	L	L62				
	Blue	L	L	L	L	L	L	L	L	L	L	L	L	L	H	H	H	H	H	H	Blue L63				
Gray scale of White & Black	Black	L	L	L	L	L	L	L	L	L	L	L	L	L	L	L	L	L	L	L0					
	Dark ↑ ↓ Light	L	L	L	L	L	H	L	L	L	L	L	L	H	L	L	L	L	L	H	L1				
		L	L	L	L	H	L	L	L	L	L	L	H	L	L	L	L	L	H	L	L2				
		:						:						:						L3...L60					
		H	H	H	H	L	H	L	H	H	H	H	L	H	H	H	H	H	L	H	L61				
		H	H	H	H	H	L	L	H	H	H	H	H	L	H	H	H	H	H	L	L62				
	White	H	H	H	H	H	H	L	H	H	H	H	H	H	H	H	H	H	H	H	White L63				

Document Title	HSD089IFW1 Specification for STUDIO	Page No.	12/27
Document No.		Revision	1.0

5.0 INTERFACE PIN CONNECTION

5.1 TFT LCD Module :

CN1 (Input signal): I-PEX 20347-340-12 (IPEX or equivalent)

Pin No.	Signal	Description
1	GND	Ground
2	VDD	3.3V Power
3	VDD	3.3V Power
4	V_EDID	3.3V Power for EDID
5	NC	No Connection
6	CLK_EDID	EDID Clock Input
7	DATA_EDID	EDID Data Input
8	RXIN0-	LVDS Signal - channel0-
9	RXIN0+	LVDS Signal+ channel0+
10	GND	Ground
11	RXIN1-	Data Input channel1-
12	RXIN1+	Data Input channel1+
13	GND	Ground
14	RXIN2-	Data Input channel2-
15	RXIN2+	Data Input channel2+
16	GND	Ground
17	RXCLKIN-	Data Input CLK-
18	RXCLKIN+	Data Input CLK+
19	GND	Ground
20	NC	NC for RXIN3- channel3-
21	NC	NC for RXIN3+ channel3+
22	GND	Ground
23	NC	No Connection
24	NC	No Connection
25	GND	Ground
26	NC	Reserve for Hannstar test
27	NC	No Connection
28	GND	Ground
29	VLED	LED Power Supply +5V
30	VLED	LED Power Supply +5V
31	VLED_GND	LED Ground
32	VLED_GND	LED Ground
33	VLED_GND	LED Ground
34	NC	Reserve for Hannstar test
35	NC	No Connection
36	NC	Reserve for Hannstar test
37	NC	No Connection
38	ADJ	Adjust for LED brightness Note

Document Title	HSD089IFW1 Specification for STUDIO	Page No.	13/27
Document No.		Revision	1.0

39	NC	No Connection
40	NC	No Connection

Note : The brightness of LCD panel could be changed by adjusting ADJ

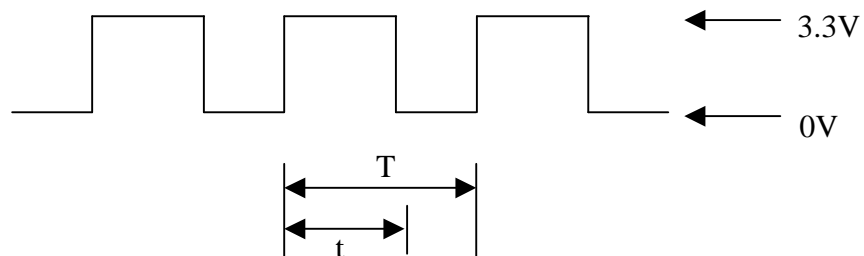
[Note]

(1) ADJ can adjust brightness to control Pin. Pulse duty the bigger the brighter.



(2) ADJ Signal=0~3.3V · Operation Frequency :

Dimming Range		
PWM Frequency (F)	Duty Cycle (Min.)	Duty Cycle (Max.)
100Hz < F < 500Hz	5%	100%
500Hz < F < 20KHz	10%	100%



$$\text{Duty Cycle} = t / T * 100\%$$

$$T = 1 / F$$

Document Title	HSD089IFW1 Specification for STUDIO	Page No.	14/27
Document No.		Revision	1.0

6.0 ELECTRICAL CHARACTERISTICS

6.1 TFT LCD Module

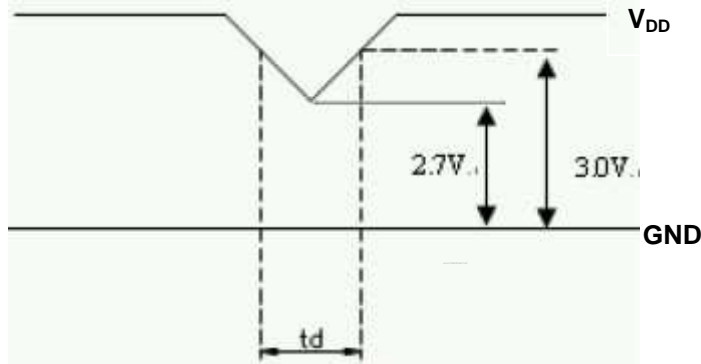
Item	Symbol	Min.	Typ.	Max.	Unit	Note
Supply Voltage	V_{DD}	3.0	3.3	3.6	V	Note (2)
	V_{LED}	4.7	5.0	5.3	V	
Current of power supply	I_{DD}	-	0.27	-	A	$V_{DD} = 3.3V \cdot L0$ pattern

Note : (1) The brightness of LCD panel could be changed by adjusting ADJ.

(2) V_{DD} -dip condition :

When V_{DD} operating within $2.7V \leq V_{DD} < 3.0V$, $t_d \leq 10ms$, the display may momentarily become abnormal .

$V_{DD} > 3.0V$, V_{DD} -dip condition should be same as V_{DD} -turn-con condition.

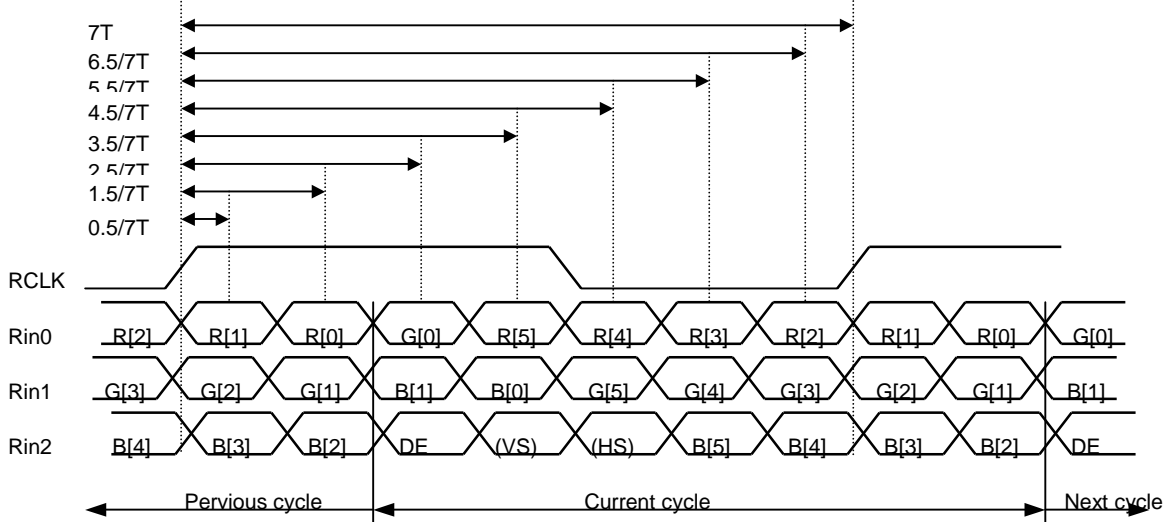


6.2 Switching Characteristics for LVDS Receiver

Item	Symbol	Min.	Typ.	Max.	Unit	Conditions
Differential Input High Threshold	V_{th}	—	—	100	mV	$V_{CM} = 1.2V$
Differential Input Low Threshold	V_{tl}	-100	—	—	mV	
Input Current	I_{IN}	-10	—	+10	μA	
Differential input Voltage	$ V_{ID} $	0.1	—	0.6	V	
Common Mode Voltage Offset	V_{CM}	$(V_{ID} /2)$	1.25	$1.8 - 0.4 \cdot (V_{ID} /2)$	V	

Document Title	HSD089IFW1 Specification for STUDIO	Page No.	15/27
Document No.		Revision	1.0

6.3 Bit Mapping & Interface Definition



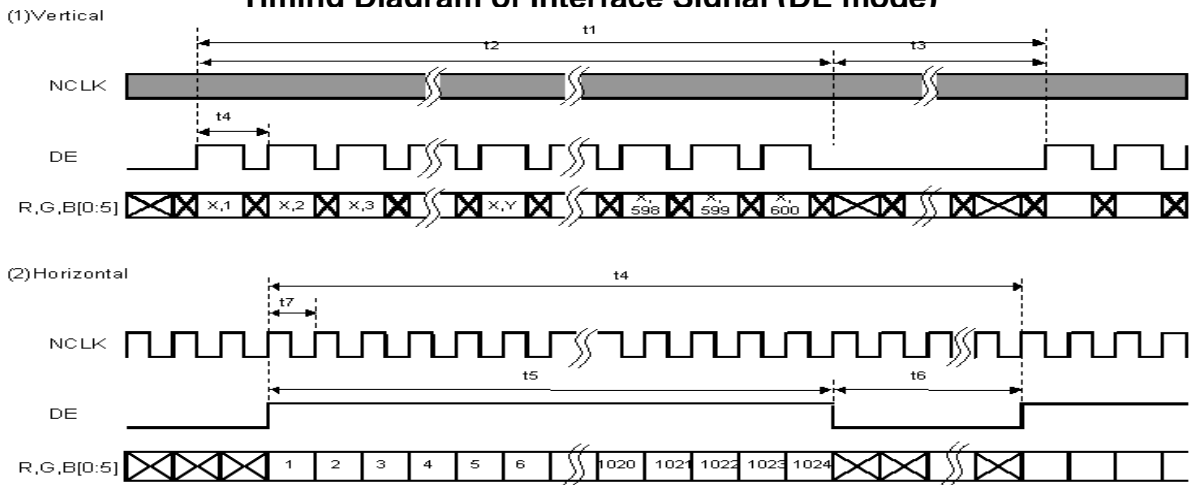
LVDS Receiver Input Timing Definition

for 6bits LVDS input

6.4 Interface Timing (DE mode)

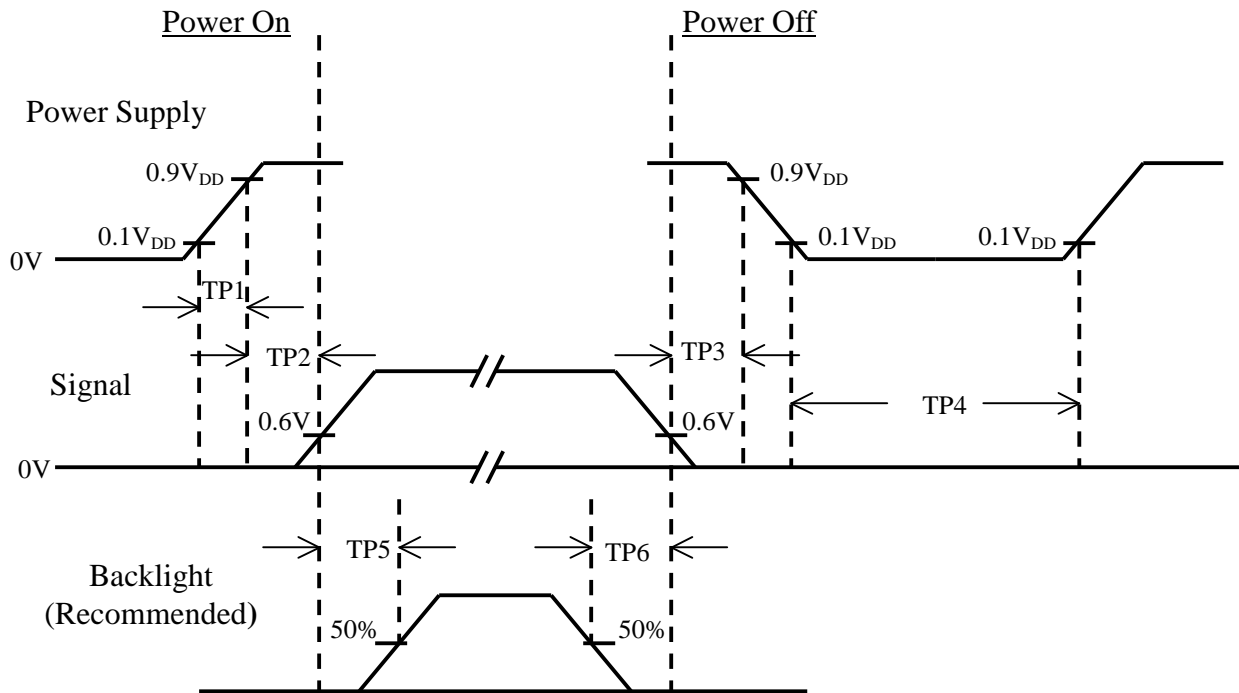
Item	Symbol	Min.	Typ.	Max.	Unit
Frame Rate	--	—55	60	65	Hz
Frame Period	t1	612	625	638	line
Vertical Display Time	t2	600	600	600	line
Vertical Blanking Time	t3	12	25	38	line
1 Line Scanning Time	t4	1160	1200	1240	clock
Horizontal Display Time	t5	1024	1024	1024	clock
Horizontal Blanking Time	t6	136	176	216	clock
Clock Rate	t7	39	45	51.42	MHz

Timina Diaaram of Interface Signal (DE mode)



Document Title	HSD0891FW1 Specification for STUDIO	Page No.	16/27
Document No.		Revision	1.0

6.5 Power On / Off Sequence



Item	Min.	Typ.	Max.	Unit	Remark
TP1	0.5	--	10	msec	
TP2	0	--	50	msec	
TP3	0	--	50	msec	
TP4	500	--	--	msec	
TP5	200	--	--	msec	
TP6	200	--	--	msec	

Note :

- (1) The supply voltage of the external system for the module input should be the same as the definition of V_{DD}.
- (2) Apply the lamp voltage within the LCD operation range. When the back-light turns on before the LCD operation or the LCD turns off before the back-light turns off, the display may momentarily become white.
- (3) In case of V_{DD} = off level, please keep the level of input signal on the low or keep a high impedance.
- (4) TP4 should be measured after the module has been fully discharged between power off and on period.
- (5) Interface signal shall not be kept at high impedance when the power is on.

Document Title	HSD089IFW1 Specification for STUDIO	Page No.	17/27
Document No.		Revision	1.0

7.0 Reliability test items

No.	Item	Conditions	Remark
1	High Temperature Storage	Ta=+60°C, 240hrs	
2	Low Temperature Storage	Ta=-20°C, 240hrs	
3	High Temperature Operation	Ta=+50°C, 500hrs	
4	Low Temperature Operation	Ta=0°C, 500hrs	
5	High Temperature and High Humidity (operation)	Ta=+50°C, 80%RH, 500hrs	
6	Thermal Cycling Test (non operation)	-20°C(30min) → +60°C(30min), 100 cycles	
7	Electrostatic Discharge	±200V,200pF(0Ω) 1 time/connector	
8	Vibration	1.Random: 1.04G, 10~500Hz, XYZ, 30min/each direction 2.Sine: 1.5G, 5~500Hz, XYZ 30min/each direction	
9	Shock	Half-Sine, 220G, 2ms, ±XYZ, 1time	
10	Vibration (with carton)	Random: 1.04G, 10~500Hz, XYZ, 45min/each direction	
11	Drop (with carton)	Height : 60 cm 1 corner, 3 edges, 6 surfaces	JIS Z0202

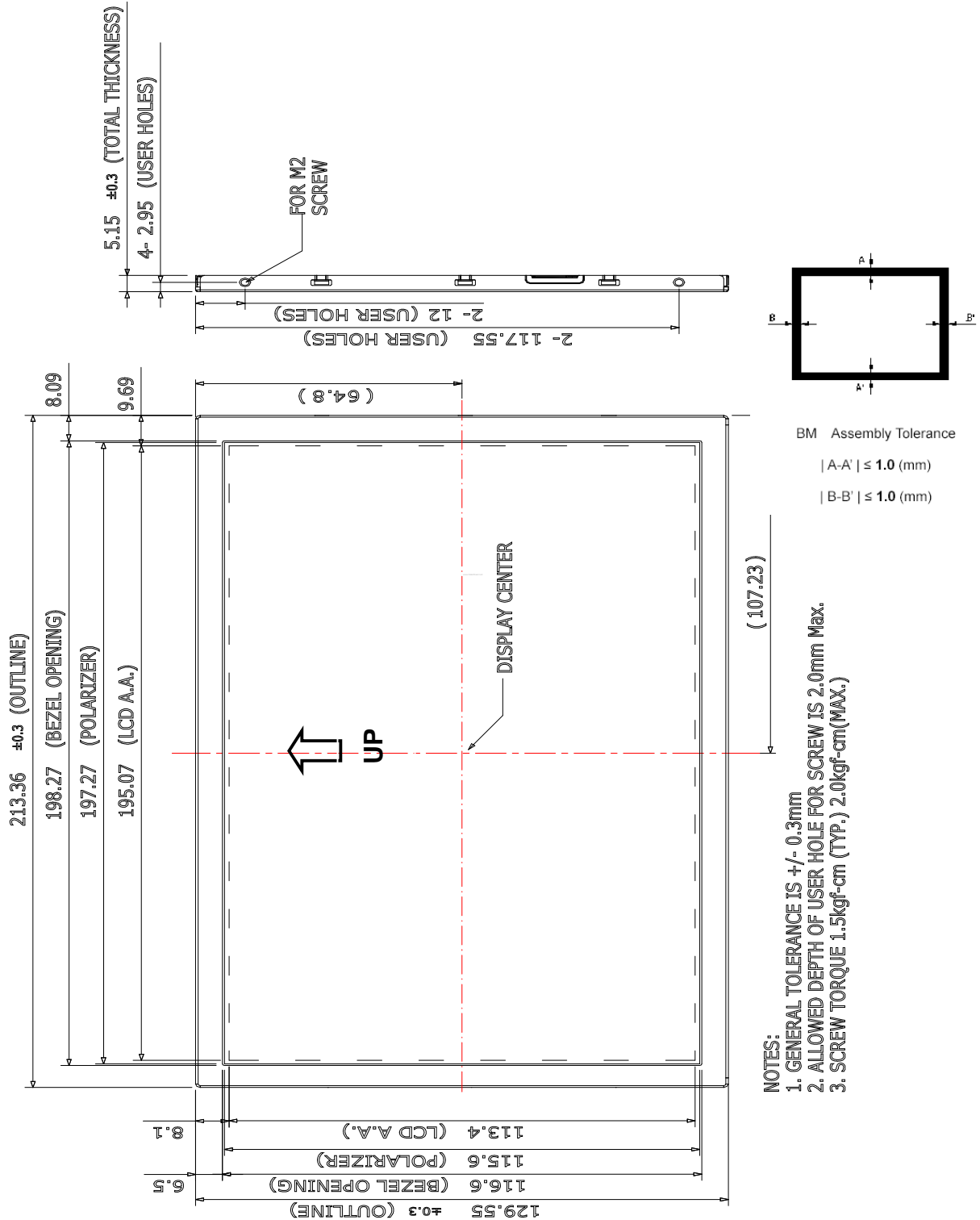
Note: There is no display function NG issue occurred, all the cosmetic specification is judged before the reliability stress.

Document Title	HSD089IFW1 Specification for STUDIO	Page No.	18/27
Document No.		Revision	1.0

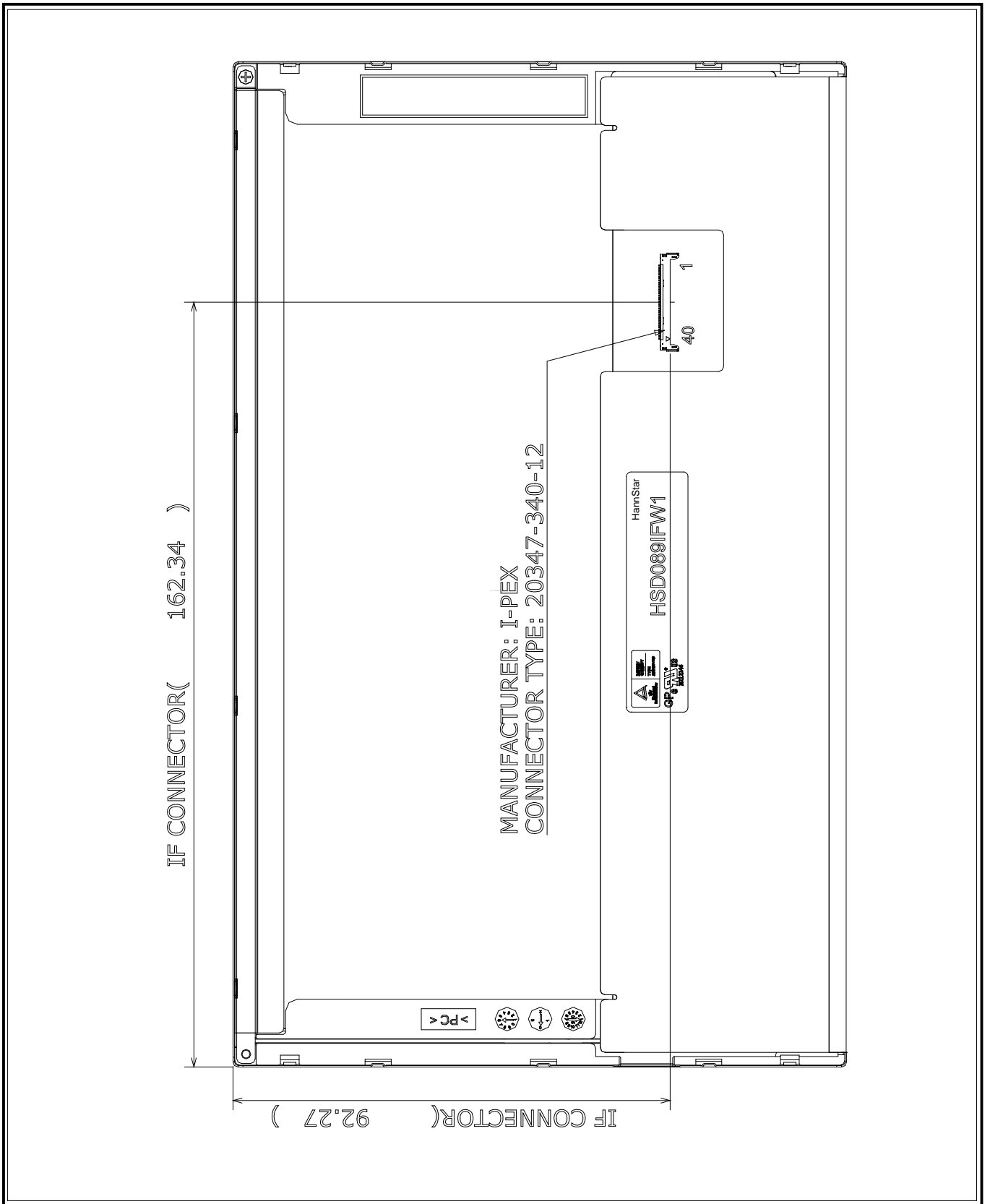
8.0 OUTLINE DIMENSION

8.1 Outline Dimension

Unit : mm



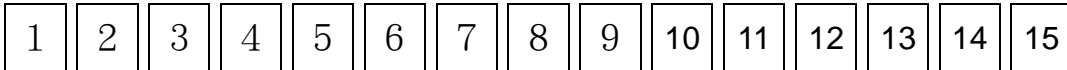
Document Title	HSD089IFW1 Specification for STUDIO	Page No.	19/27
Document No.		Revision	1.0



Document Title	HSD089IFW1 Specification for STUDIO	Page No.	20/27
Document No.		Revision	1.0

9.0 LOT MARK

9.1 Lot Mark



Code 1,2,3,4,5,6: HannStar internal flow control code.

Code 7: production location.

Code 8: production year.

Code 9: production month.

Code 10,11,12,13,14,15: serial number.

Note (1) Production Year

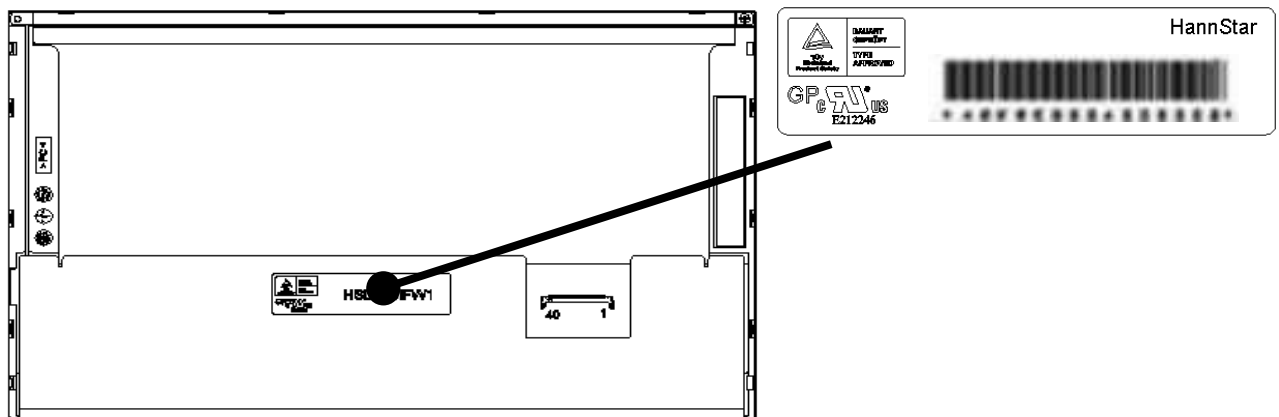
Year	1999	2000	2001	2002	2003	2004	2005	2006	2007	2008
Mark	9	0	1	2	3	4	5	6	7	8

Note (2) Production Month

Month	Jan.	Feb.	Mar.	Apr.	May.	Jun.	Jul.	Aug.	Sep.	Oct	Nov.	Dec.
Mark	1	2	3	4	5	6	7	8	9	A	B	C

9.2 Location of Lot Mark

- (1) The label is attached to the backside of the LCD module.
- (2) This is subject to change without prior notice.



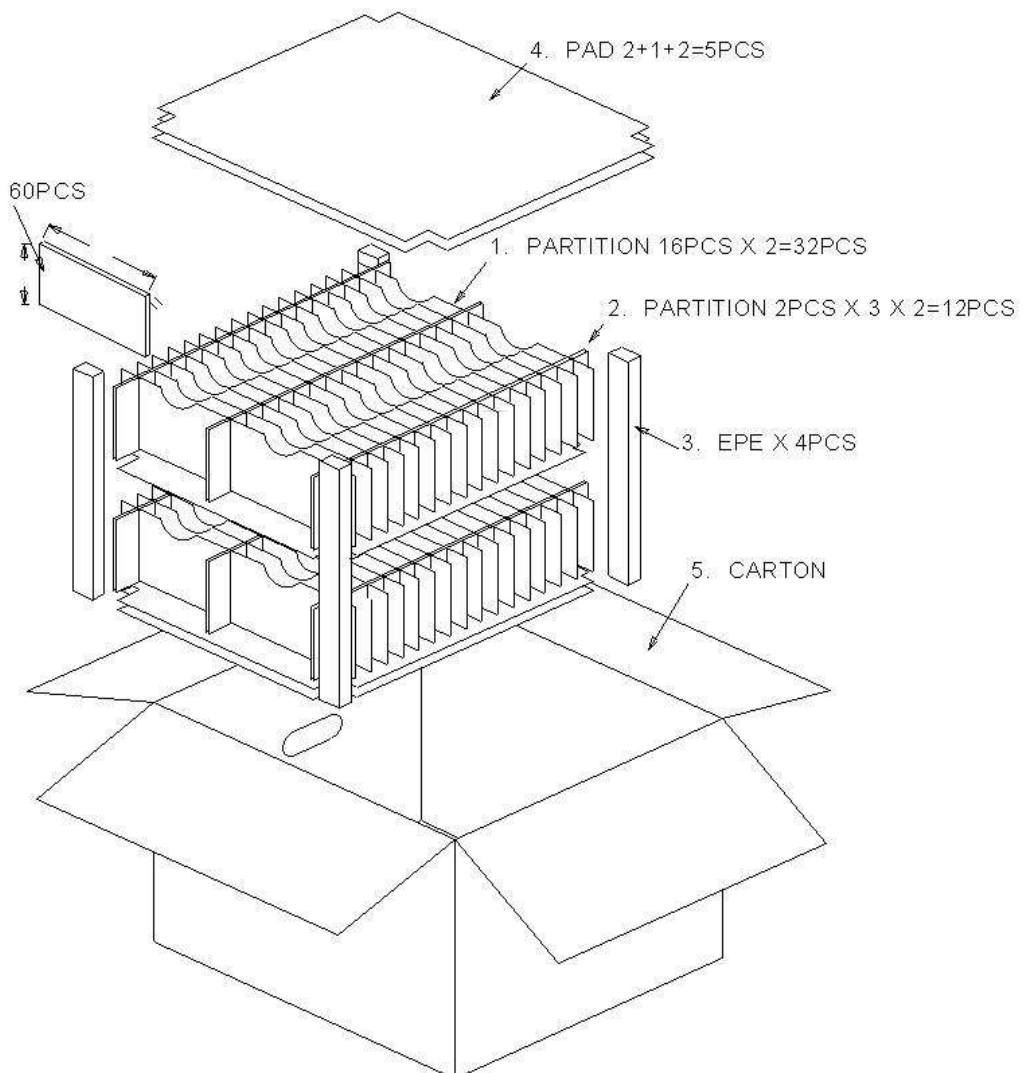
Document Title	HSD089IFW1 Specification for STUDIO	Page No.	21/27
Document No.		Revision	1.0

10.0 PACKAGE SPECIFICATION

10.1 Packing form

- (1) Package quantity in one carton: 60 pieces.
- (2) Carton size: 534 ± 3 mm \times 298 ± 3 mm \times 334 ± 3 mm.
- (3) For domestic transportation only.

10.2 Packing assembly drawings



Document Title	HSD089IFW1 Specification for STUDIO	Page No.	22/27
Document No.		Revision	1.0

11.0 GENERAL PRECAUTION

11.1 Use Restriction

This product is not authorized for use in life supporting systems, aircraft navigation control systems, military systems and any other application where performance failure could be life-threatening or otherwise catastrophic.

11.2 Disassembling or Modification

Do not disassemble or modify the module. It may damage sensitive parts inside LCD module, and may cause scratches or dust on the display. HannStar does not warrant the module, if customers disassemble or modify the module.

11.3 Breakage of LCD Panel

- 11.3.1 If LCD panel is broken and liquid crystal spills out, do not ingest or inhale liquid crystal, and do not contact liquid crystal with skin.
- 11.3.2 If liquid crystal contacts mouth or eyes, rinse out with water immediately.
- 11.3.3 If liquid crystal contacts skin or cloths, wash it off immediately with alcohol and rinse thoroughly with water.
- 11.3.4 Handle carefully with chips of glass that may cause injury, when the glass is broken.

11.4 Electric Shock

- 11.4.1 Disconnect power supply before handling LCD module.
- 11.4.2 Do not pull or fold the LED cable.
- 11.4.3 Do not touch the parts inside LCD modules and the fluorescent LED's connector or cables in order to prevent electric shock.

11.5 Absolute Maximum Ratings and Power Protection Circuit

- 11.5.1 Do not exceed the absolute maximum rating values, such as the supply voltage variation, input voltage variation, variation in parts' parameters, environmental temperature, etc., otherwise LCD module may be damaged.
- 11.5.2 Please do not leave LCD module in the environment of high humidity and high temperature for a long time.
- 11.5.3 It's recommended to employ protection circuit for power supply.

11.6 Operation

- 11.6.1 Do not touch, push or rub the polarizer with anything harder than HB pencil lead.
- 11.6.2 Use fingerstalls of soft gloves in order to keep clean display quality, when persons handle the LCD module for incoming inspection or assembly.
- 11.6.3 When the surface is dusty, please wipe gently with absorbent cotton or other soft material.
- 11.6.4 Wipe off saliva or water drops as soon as possible. If saliva or water drops contact with polarizer for a long time, they may causes deformation or color fading.
- 11.6.5 When cleaning the adhesives, please use absorbent cotton wetted with a little petroleum benzine or other adequate solvent.



Document Title	HSD089IFW1 Specification for STUDIO	Page No.	23/27
Document No.		Revision	1.0

11.7 Mechanism

Please mount LCD module by using mounting holes arranged in four corners tightly.

11.8 Static Electricity

- 11.8.1 Protection film must remove very slowly from the surface of LCD module to prevent from electrostatic occurrence.
- 11.8.2 Because LCD module use CMOS-IC on circuit board and TFT-LCD panel, it is very weak to electrostatic discharge. Please be careful with electrostatic discharge. Persons who handle the module should be grounded through adequate methods.

11.9 Strong Light Exposure

The module shall not be exposed under strong light such as direct sunlight. Otherwise, display characteristics may be changed.

11.10 Disposal

When disposing LCD module, obey the local environmental regulations.

Document Title	HSD089IFW1 Specification for STUDIO	Page No.	24/27
Document No.		Revision	1.0

12.0 EDID Table

Byte# (Decimal)	Byte# (HEX)	Field Name & Comments	Value (HEX)	Value (BIN)	Value (DEC)
0	0	Header	00	00000000	0
1	1	Header	FF	11111111	255
2	2	Header	FF	11111111	255
3	3	Header	FF	11111111	255
4	4	Header	FF	11111111	255
5	5	Header	FF	11111111	255
6	6	Header	FF	11111111	255
7	7	Header	00	00000000	0
8	8	EISA Manufacture Code LSB (3 character ID = HSD)	22	00100010	34
9	9	Compressed ASCII	64	01100100	100
10	0A	Product Code "0805"	25	00100101	37
11	0B	Hex, LSB first	03	00000011	3
12	0C	LCD module Serial No - Preferred but Optional	00	00000000	0
13	0D	LCD module Serial No - Preferred but Optional	00	00000000	0
14	0E	LCD module Serial No - Preferred but Optional	00	00000000	0
15	0F	LCD module Serial No - Preferred but Optional	00	00000000	0
16	10	Week of manufacture	00	00000000	0
17	11	Year of manufacture = 2008	12	00010010	18
18	12	EDID Structure Version # = 1	01	00000001	1
19	13	EDID revision # = 3	03	00000011	3
20	14	Video input definition = Digital input, CRGB	80	10000000	128
21	15	Max H image size = 20cm	14	00010100	20
22	16	Max V image size = 11cm	0B	00001011	11
23	17	Display Gamma = 2.2	78	01111000	120
24	18	Feature support (DPMS) = Active off, RGB color	0A	00001010	10
25	19	Red/green low bits (10000110)	86	10000110	134
26	1A	Blue/white low bits (00100110)	26	00100110	38
27	1B	Red x , Red x = 0.58	94	10010100	148
28	1C	Red y , Red y = 0.34	57	01010111	87
29	1D	Green x , Green x = 0.317	51	01010001	81
30	1E	Green y , Green y = 0.564	90	10010000	144
31	1F	Blue x , Blue x = 0.152	27	00100111	39



Document Title	HSD089IFW1 Specification for STUDIO	Page No.	25/27
Document No.		Revision	1.0

Byte# (Decimal)	Byte# (HEX)	Field Name & Comments	Value (HEX)	Value (BIN)	Value (DEC)
32	20	Blue y , Blue y = 0.131	21	00100001	33
33	21	White x , White x = 0.31	4F	01001111	79
34	22	White y , White y = 0.33	54	01010100	84
35	23	Established timing 1	00	00000000	0
36	24	Established timing 2	00	00000000	0
37	25	Manufacturer's timings	00	00000000	0
38	26	Standard timing #1 was not used	01	00000001	1
39	27		01	00000001	1
40	28	Standard timing #2 was not used	01	00000001	1
41	29		01	00000001	1
42	2A	Standard timing #3 was not used	01	00000001	1
43	2B		01	00000001	1
44	2C	Standard timing #4 was not used	01	00000001	1
45	2D		01	00000001	1
46	2E	Standard timing #5 was not used	01	00000001	1
47	2F		01	00000001	1
48	30	Standard timing #6 was not used	01	00000001	1
49	31		01	00000001	1
50	32	Standard timing #7 was not used	01	00000001	1
51	33		01	00000001	1
52	34	Standard timing #8 was not used	01	00000001	1
53	35		01	00000001	1
54	36	Detailed timing/monitor (descriptor #1)	94	10010100	148
55	37	1024x600 @60Hz: Pixel Clock = 45 MHz	11	00010001	17
56	38	Horizontal active=1024 pixels (L8b)	00	00000000	0
57	39	Horizontal blanking= 176 pixels (L8b)	B0	10110000	176
58	3A	HA (U4b): HB (U4b)	40	01010000	64
59	3B	Vertical active=600 lines (L8b)	58	01011000	88
60	3C	Vertical blanking= 25 lines (L8b)	19	00011001	25
61	3D	HA (U4b): HB (U4b)	20	00100000	32
62	3E	H sync. Offset= 53 pixels	35	00110101	53
63	3F	H sync. Width= 35 pixels	23	00100011	35

Document Title	HSD089IFW1 Specification for STUDIO	Page No.	26/27
Document No.		Revision	1.0

Byte# (Decimal)	Byte# (HEX)	Field Name & Comments	Value (HEX)	Value (BIN)	Value (DEC)
64	40	V sync. Offset= 4 lines	45	01000101	69
65	41	V sync. Width= 5 lines	00	00000000	0
66	42	H image size = 195 mm (L8b)	C3	11000011	195
67	43	V image size = 113 mm (L8b)	71	01110001	113
68	44	Horizontal Image (U4b): Vertical Image (U4b)	00	00000000	0
69	45	No Horizontal Border=0	00	00000000	0
70	46	No Vertical Border=0	00	00000000	0
71	47	Non-interlaced, Normal display, No stereo, Digital separate sync, H/V pol Negatives	19	00011001	25
72	48	Detailed timing/monitor (descriptor #2)	16	00010110	22
73	49	1024x600 @65Hz: Pixel Clock = 51.42 MHz	14	00010100	20
74	4A	Horizontal active=1024 pixels (L8b)	00	00000000	0
75	4B	Horizontal blanking=216pixels (L8b)	D8	11011000	216
76	4C	HA (U4b): HB (U4b)	40	01000000	64
77	4D	Vertical active=600 lines (L8b)	58	01011000	88
78	4E	Vertical blanking= 38 lines (L8b)	26	00100110	38
79	4F	HA (U4b): HB (U4b)	20	00100000	32
80	50	H sync. Offset= 93 pixels	5D	01011101	93
81	51	H sync. Width= 35 pixels	23	00100011	35
82	52	V sync. Offset= 17lines	15	00010101	21
83	53	V sync. Width=5 lines	04	00000100	4
84	54	H image size = 195 mm (L8b)	C3	11000011	195
85	55	V image size = 113 mm (L8b)	71	10000001	113
86	56	Horizontal Image (U4b): Vertical Image (U4b)	00	00000000	0
87	57	No Horizontal Border=0	00	00000000	0
88	58	No Vertical Border=0	00	00000000	0
89	59	EDID Module revision	00	00000000	0
90	5A	Flag	00	00000000	0
91	5B	Flag	00	00000000	0
92	5C	Flag	00	00000000	0
93	5D	Dummy Descriptor	FE	11111110	254
94	5E	Flag	00	00000000	0
95	5F	PC Maker P/N 1 st Character =M	00	00000000	0



Document Title	HSD089IFW1 Specification for STUDIO	Page No.	27/27
Document No.		Revision	1.0

Byte# (Decimal)	Byte# (HEX)	Field Name & Comments	Value (HEX)	Value (BIN)	Value (DEC)
96	60	PC Maker P/N 2 nd Character =3	00	00000000	0
97	61	PC Maker P/N 3 rd Character =4	00	00000000	0
98	62	PC Maker P/N 4 th Character =9	00	00000000	0
99	63	PC Maker P/N 5 th Character =5	00	00000000	0
100	64	LCD Supplier EEDID Revision # =1.0	00	00000000	0
101	65	Manufacturer P/N = 1	00	00000000	0
102	66	Manufacturer P/N = 5	00	00000000	0
103	67	Manufacturer P/N = P	00	00000000	0
104	68	Manufacturer P/N = X	00	00000000	0
105	69	Manufacturer P/N = 1	00	00000000	0
106	6A	Manufacturer P/N = 4	00	00000000	0
107	6B	Manufacturer P/N(If <13char, then terminate with ASCII code, set remaining=20h)	00	00000000	0
108	6C	Flag	00	00000000	0
109	6D	Flag	00	00000000	0
110	6E	Flag	00	00000000	0
111	6F	Data Type Tag	FE	11111110	254
112	70	Flag	00	00000000	0
113	71	SMBUS Value = 20 nit	00	00000000	0
114	72	SMBUS Value = 28 nit	00	00000000	0
115	73	SMBUS Value = 40 nit	00	00000000	0
116	74	SMBUS Value = 56 nit	00	00000000	0
117	75	SMBUS Value = 79 nit	00	00000000	0
118	76	SMBUS Value = 111 nit	00	00000000	0
119	77	SMBUS Value = 156 nit	00	00000000	0
120	78	SMBUS Value = max nit	00	00000000	0
121	79	Number of LVDS channels=1	01	00000001	1
122	7A	Panel Self Test (00-Not Present, 01-Present)	00	00000000	0
123	7B	(If<13 char, then terminate with ASCII code 0Ah,set remaining char=20h)	00	00000000	0
124	7C	(If<13 char, then terminate with ASCII code 0Ah,set remaining char=20h)	00	00000000	0
125	7D	(If<13 char, then terminate with ASCII code 0Ah,set remaining char=20h)	00	00000000	0
126	7E	Extension Flag = 00	00	00000000	0
127	7F	Checksum	F4	11110100	244

Note: 1. Checksum will be changed according to LCD module Serial No (HEX Byte 0C~0F) · Week of manufacture (HEX Byte 10) · Year of manufacture (HEX Byte 11) changed.