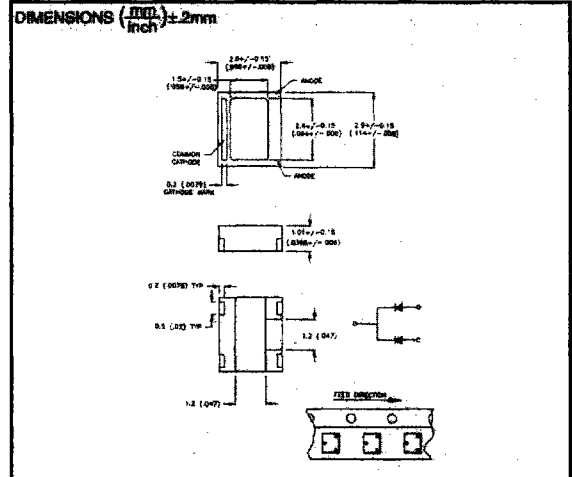


CCL-LX253XXC SERIES DUAL CHIP CERAMIC SMD LEDs

LUMEX PART NBR	EMITTED COLOR		EPOXY LENS COLOR	BRIGHTNESS		VIEW ANGLE	Vf @ 20mA	
	PEAK (nm)			TYP (mcd)	IF (mA)		TYP	MAX
CCL-LX253GGC	GREEN	565	WATER CLEAR	20	20	90	2.1	2.8
CCL-LX253IIC	RED	635	WATER CLEAR	20	20	90	2.1	2.8
CCL-LX253SRSRC	RED	660	WATER CLEAR	70	20	90	1.7	2.1
CCL-LX253YYC	YELLOW	585	WATER CLEAR	20	20	90	2.1	2.8
BI-COLOR OPTIONS								
CCL-LX253IGC	RED/GREEN	635/565	WATER CLEAR	20/20	20	90	2.1	2.8
CCL-LX253YGC	YELLOW/GREEN	585/565	WATER CLEAR	20/20	20	90	2.1	2.8

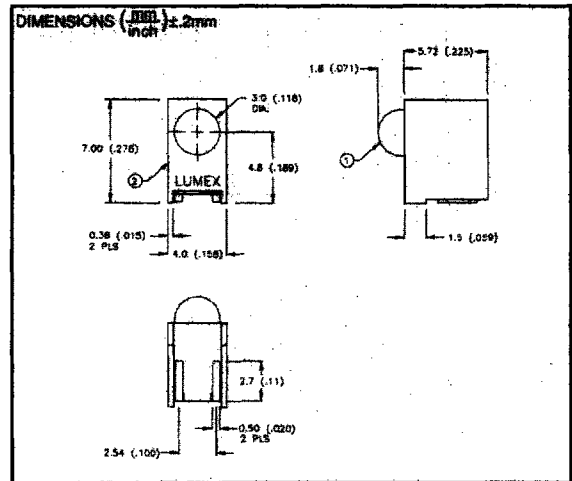
See page 8-14 for Max. operating limits and operating curves



SSF-LXH305 SERIES T-3 SURFACE MOUNT PCB LED

LUMEX PART NBR	EMITTED COLOR		OPERATING CURRENT (mA)	OPERATING TYP Volts (V)	BRIGHTNESS		LED SERIES USED
	PEAK (nm)				TYP (mcd)	mA	
SSF-LXH305AD	AMBER	610	10-25	2.1	10	20	SSF-LX305F4XX
SSF-LXH305AT	AMBER	610	10-25	2.1	13	20	SSF-LX305F4XX
SSF-LXH305GD	GREEN	565	10-25	2.1	13	20	SSF-LX305F4XX
SSF-LXH305GT	GREEN	565	10-25	2.1	15	20	SSF-LX305F4XX
SSF-LXH305ID	RED	635	10-25	2.1	15	20	SSF-LX305F4XX
SSF-LXH305IT	RED	635	10-25	2.1	45	20	SSF-LX305F4XX
SSF-LXH305SRD	RED	660	10-25	1.7	70	20	SSF-LX305F4XX
SSF-LXH305SRT	RED	660	10-25	1.7	180	20	SSF-LX305F4XX
SSF-LXH305SRC	RED	660	10-25	1.7	200	20	SSF-LX305F4XX
SSF-LXH305YD	YELLOW	585	10-25	2.1	15	20	SSF-LX305F4XX
SSF-LXH305YT	YELLOW	585	10-25	2.1	30	20	SSF-LX305F4XX
LOW CURRENT OPTIONS							
SSF-LXH305LD	GREEN	565	1-5	1.8	1.0 Min	2	SSF-LX305F4XX
SSF-LXH305LD	RED	635	1-5	1.8	1.0 Min	2	SSF-LX305F4XX
SSF-LXH305LD	YELLOW	585	1-5	1.8	1.0 Min	2	SSF-LX305F4XX
FIXED VOLTAGE OPTIONS							
SSF-LXH305GD-5V	GREEN	565	8-16	5.0	10	20	SSF-LX305F4XX
SSF-LXH305ID-5V	RED	635	8-16	5.0	10	20	SSF-LX305F4XX

See pages 8-14 for Max. operating limits and operating curves



SSL-LX406F3XX SERIES T-4.7x6mm FLANGELESS LED LAMP

LUMEX PART NBR	EMITTED COLOR		EPOXY LENS COLOR	BRIGHTNESS		VIEW ANGLE	Vf @ 20mA	
	PEAK (nm)			TYP (mcd)	IF (mA)		TYP	MAX
SSL-LX406F3ID	RED	635	RED DIFF.	15	20	80	2.0	2.8
SSL-LX406F3IT	RED	635	RED TRANSP.	80	20	25	2.0	2.8
SSL-LX406F3SRD	RED	660	RED DIFF.	70	20	80	1.7	2.2
SSL-LX406F3SRT	RED	660	RED TRANSP.	200	20	25	1.7	2.2
SSL-LX406F3GD	GREEN	565	GREEN DIFF.	15	20	80	2.1	2.8
SSL-LX406F3GT	GREEN	565	GREEN TRANSP.	80	20	25	2.1	2.8
SSL-LX406F3YD	YELLOW	585	YELLOW DIFF.	15	20	80	2.1	2.8
SSL-LX406F3YT	YELLOW	585	YELLOW TRANSP.	80	20	25	2.1	2.8
BI-COLOR OPTIONS								
SSL-LX406F3IGW	RED/GREEN	635/565	WHITE DIFF.	10/10	20/20	80	2.0	2.8
LOW CURRENT OPTIONS (OTHER COLORS AVAILABLE)								
SSL-LX406F3LID	RED	635	RED DIFF.	1.5	2	80	1.9	2.7

See pages 8-14 for Max. operating limits and operating curves

