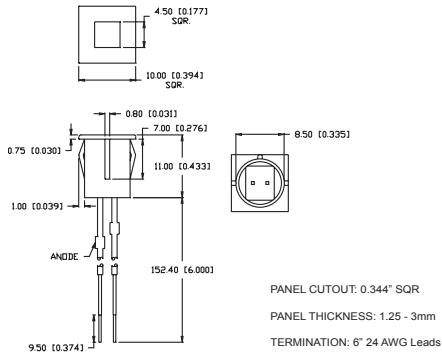


# LED Indicators ~ Panel ~ Rectangular & Square



## SSI-LXH55XD-150 Series

## 5mm Square Panel Indicator, Round Body, 6" Leads



### FEATURES / OPTIONS

- ▶ State-of-the-Art, High Brightness LED Chip Technology
- ▶ Choice of LED Colors and Lens Finishes
- ▶ Bi-Color Styles Optional
- ▶ Insulated Lead Lengths Optional
- ▶ Easy Installation Through Panel
- ▶ Small Volumes Acceptable
- ▶ Available Without Insulated Leads (Bare LED Pins)
- ▶ Blinking LED
- ▶ With Internal Resistor for 5V and 12V Operation
- ▶ With Connector

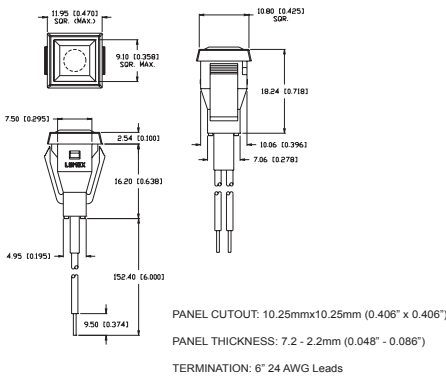
### APPLICATIONS / USES

- ▶ Front Panel Status Indicators
- ▶ Alarm/Warning Indicators
- ▶ Front Panel Circuit Fault Indicators
- ▶ Instrument Control Panels
- ▶ Medical Diagnostics Indicators
- ▶ Industrial Automation Control Panels

| Lumex Part Number          | Die Material | Emitted Color            | Peak (nm) | Lens            | Operating Current (mA) | Operating TYP. Vf (V) | Brightness TYP. Mcd | @ mA | View Angle° 2θ | Component LED Used |
|----------------------------|--------------|--------------------------|-----------|-----------------|------------------------|-----------------------|---------------------|------|----------------|--------------------|
| <b>HIGH BRIGHTNESS</b>     |              |                          |           |                 |                        |                       |                     |      |                |                    |
| SSI-LXH55SID-150           | AllnGaP      | Super High Intensity Red | 636       | Red Diffused    | 5-25                   | 2                     | 60                  | 20   | 80             | SSL-LX5573SID      |
| SSI-LXH55SOD-150           | AllnGaP      | Super Orange             | 610       | Orange Diffused | 5-25                   | 2                     | 60                  | 20   | 80             | SSL-LX5573SOD      |
| SSI-LXH55SUGD-150          | AllnGaP      | Super Ultra Green        | 574       | Green Diffused  | 5-25                   | 2.2                   | 50                  | 20   | 80             | SSL-LX5573SUGD     |
| SSI-LXH55SYD-150           | AllnGaP      | Super Yellow             | 590       | Yellow Diffused | 5-25                   | 2                     | 30                  | 20   | 80             | SSL-LX5573SYD      |
| SSI-LXH55USB-150           | InGaN/SiC    | Ultra Super Blue         | 470       | Blue Diffused   | 5-25                   | 3.5                   | 50                  | 20   | 80             | SSL-LX5573USB      |
| <b>STANDARD BRIGHTNESS</b> |              |                          |           |                 |                        |                       |                     |      |                |                    |
| SSI-LXH55GD-150            | GaP          | Green                    | 565       | Green diffused  | 5-25                   | 2.2                   | 10                  | 20   | 80             | SSL-LX5573GD       |
| SSI-LXH55ID-150            | GaAsP        | High Intensity Red       | 635       | Red Diffused    | 5-25                   | 2                     | 10                  | 20   | 80             | SSL-LX5573ID       |
| SSI-LXH55SRD-150           | GaAlAs       | Super Red                | 660       | Red Diffused    | 5-25                   | 1.7                   | 20                  | 20   | 80             | SSL-LX5573SRD      |
| SSI-LXH55YD-150            | GaAsP        | Yellow                   | 585       | Yellow Diffused | 5-25                   | 2.1                   | 5                   | 20   | 80             | SSL-LX5573YD       |

## SSI-LXMP5011XD-150 Series

## 12mm Square ESD Safe w/Lens, 6" Leads



### FEATURES / OPTIONS

- ▶ State-of-the-Art, High Brightness LED Chip Technology
- ▶ Choice of LED Colors and Lens Finishes
- ▶ Bi-Color Styles Optional
- ▶ Insulated Lead Lengths Optional
- ▶ Easy Installation Through Panel
- ▶ Small Volumes Acceptable
- ▶ Available Without Insulated Leads (Bare LED Pins)
- ▶ Lexan 123 ESD Safe Clear Lens
- ▶ Blinking LED
- ▶ With Internal Resistor for 5V and 12V Operation
- ▶ With Connector

### APPLICATIONS / USES

- ▶ Front Panel Status Indicators
- ▶ Alarm/Warning Indicators
- ▶ Front Panel Circuit Fault Indicators
- ▶ Instrument Control Panels
- ▶ Medical Diagnostics Indicators
- ▶ Industrial Automation Control Panels

| Lumex Part Number          | Die Material | Emitted Color            | Peak (nm) | Lens            | Operating Current (mA) | Operating TYP. Vf (V) | Brightness TYP. Mcd | @ mA | View Angle° 2θ | Component LED Used |
|----------------------------|--------------|--------------------------|-----------|-----------------|------------------------|-----------------------|---------------------|------|----------------|--------------------|
| <b>HIGH BRIGHTNESS</b>     |              |                          |           |                 |                        |                       |                     |      |                |                    |
| SSI-LXMP5011SIC150         | AllnGaP      | Super High Intensity Red | 636       | Red Diffused    | 5-25                   | 2                     | 80                  | 20   | 60             | SSL-LX4073SID      |
| SSI-LXMP5011SOC150         | AllnGaP      | Super Orange             | 610       | Orange Diffused | 5-25                   | 2                     | 80                  | 20   | 60             | SSL-LX4073SOD      |
| SSI-LXMP5011SUGC15         | AllnGaP      | Super Ultra Green        | 574       | Green Diffused  | 5-25                   | 2.2                   | 100                 | 20   | 60             | SSL-LX4073SUGD     |
| SSI-LXMP5011SYC150         | AllnGaP      | Super Yellow             | 590       | Yellow Diffused | 5-25                   | 2                     | 150                 | 20   | 60             | SSL-LX4073SYD      |
| SSI-LXMP5011USBC15         | InGaN/SiC    | Ultra Super Blue         | 470       | Blue Diffused   | 5-25                   | 3.5                   | 50                  | 20   | 60             | SSL-LX4073USB      |
| <b>STANDARD BRIGHTNESS</b> |              |                          |           |                 |                        |                       |                     |      |                |                    |
| SSI-LXMP5011GC-150         | GaP          | Green                    | 565       | Green Diffused  | 5-25                   | 2.2                   | 15                  | 20   | 60             | SSL-LX4073GD       |
| SSI-LXMP5011IC-150         | GaAsP        | High Intensity Red       | 635       | Red Diffused    | 5-25                   | 2                     | 20                  | 20   | 60             | SSL-LX4073ID       |
| SSI-LXMP5011SRC-150        | GaAlAs       | Super Red                | 660       | Red Diffused    | 5-25                   | 1.7                   | 60                  | 20   | 60             | SSL-LX4073SRD      |
| SSI-LXMP5011YC-150         | GaAsP        | Yellow                   | 585       | Yellow Diffused | 5-25                   | 2.1                   | 15                  | 20   | 60             | SSL-LX4073YD       |



USA/Canada +1-800-278-5666  
 Europe +49-6081-964380  
 Asia +886-3-5821124



[www.lumex.com](http://www.lumex.com)



USA/Canada +1-847-359-8904  
 Europe +49-6081-964381  
 Asia +886-3-5821154

