

PLEASE CHECK WWW.MOLEX.COM FOR LATEST PART INFORMATION

Part Number: [0358991410](#)
Status: **Active**
Description: 1.02mm (.040") Tab, Wire-to-Wire Housing, Male, 14 Circuits

Documents:

[3D Model](#) [Product Specification PS-104000-001 \(PDF\)](#)
[Drawing \(PDF\)](#) [RoHS Certificate of Compliance \(PDF\)](#)

General

Product Family Crimp Housings
 Series [35899](#)
 Product Name N/A

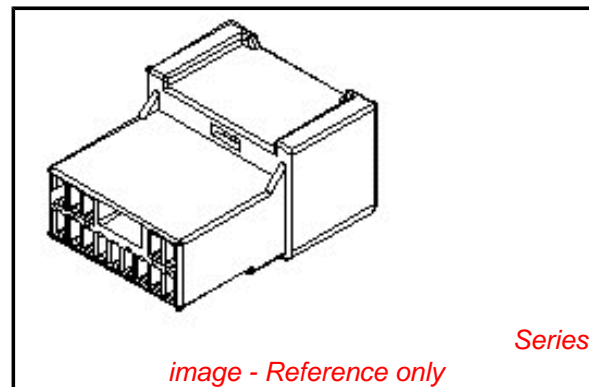
Physical

Circuits (maximum) 14
 Color - Resin Natural, Yellow
 Gender Male
 Glow-Wire Compliant No
 Material - Resin Polyester
 Number of Rows 2
 Packaging Type Bag
 Panel Mount Yes
 Pitch - Mating Interface (in) 0.098 In
 Pitch - Mating Interface (mm) 2.50 mm
 Stackable No
 Temperature Range - Operating -40°C to +80°C

Material Info

Reference - Drawing Numbers

Product Specification PS-104000-001
 Sales Drawing SD-35899-002



EU RoHS

**ELV and RoHS
Compliant**
REACH SVHC
 Not Reviewed
**Halogen-Free
Status**

China RoHS



**Need more information on product
environmental compliance?**

Email productcompliance@molex.com
 For a multiple part number RoHS Certificate of
 Compliance, [click here](#)

Please visit the [Contact Us](#) section for any
 non-product compliance questions.

Search Parts in this Series

[35899Series](#)

Mates With

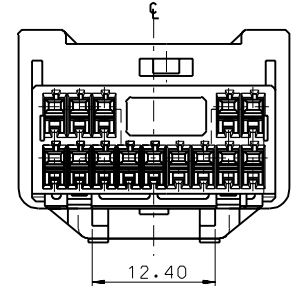
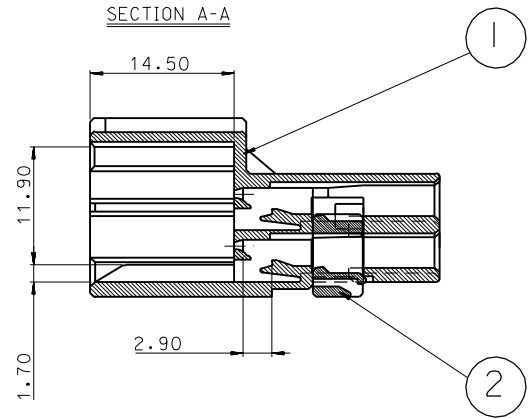
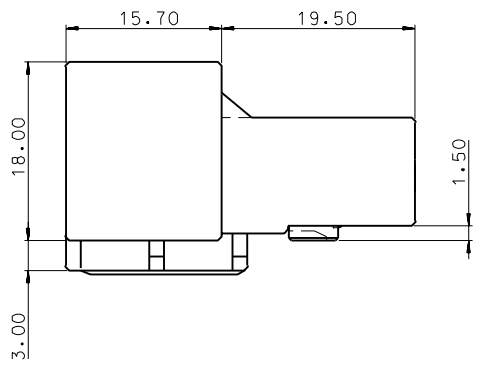
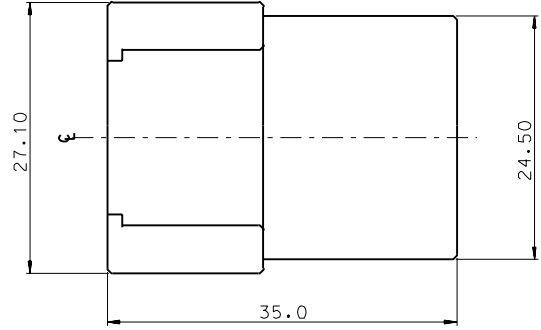
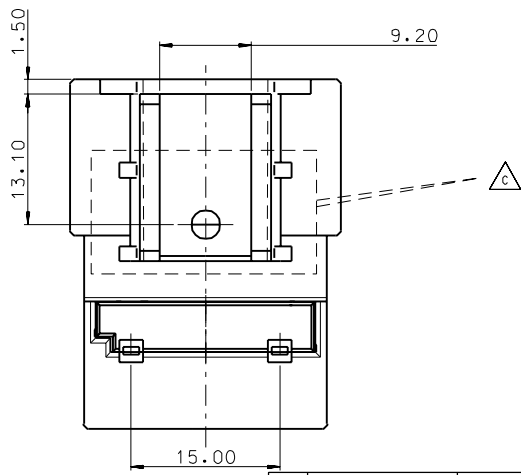
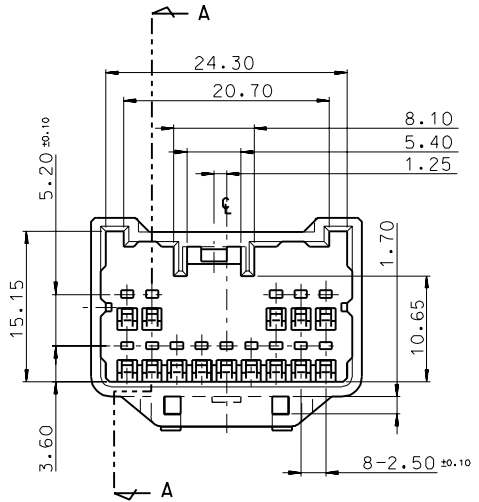
[35898](#)

Use With

[50654](#) , [50660](#)

DWG. NO. SD-35899-002
 PROJECT NO. SIMILAR ITEM
 DO NOT SCALE DRAWING DIMENSION IN METRIC

NO.	PART NO.	PART NAME	MATERIAL	REMARK
1	35899-1490	.040 M/HSG 14P	POLYESTER	WHITE
2	35899-1483	.040 MALE TPA 14P	POLYESTER	YELLOW



NOTE

- MATERIAL & FINISH: SEE TABLE
- APPLICATION: .040 FEMALE HOUSING ASS'Y 14P(ENG. NO.:35898-1410)

RELEASE TO MANUFACTURING
 EC NO.:KOR2003-0086
 DRWN:H.C.RHO 02/09/30
 CHK: H.C.RHO 02/10/17
 APPR:C.W.LEE 02/10/18
 DESCRIPTION
 REV C

QUALITY SYMBOLS
 MAJOR =
 CRITICAL =

	GENERAL TOLERANCES: (UNLESS SPECIFIED)	
	mm	INCH
4 PLACES	±0.	±.
3 PLACES	±0.	±.
2 PLACES	±0.2	±.
1 PLACE	±0.3	±.
ANGULAR: ± 1 °		

DRAFT WHERE APPLICABLE MUST REMAIN WITHIN DIMENSIONS

SCALE 2:1
 DESIGN UNITS mm INCH
 DRAWN BY & DATE
 00/06/08 H.C.RHO
 CHECKED BY & DATE
 00/06/08 B.K.CHOI
 APPROVED BY & DATE
 00/06/08 C.W.LEE
 CAD FILENAME
 4MHA14

DIMENSIONS:		SHT	REV
<input type="checkbox"/> mm <input type="checkbox"/> INCH	<input checked="" type="checkbox"/> mm <input type="checkbox"/> INCH ONLY		REVISE ON CAD ONLY
TITLE: .040 MALE HOUSING ASS'Y 14P			
MOLEX INCORPORATED			
MATERIAL NO. SEE CHART	DRAWING NO. SD-35899-002	SHEET NO. 1 OF 1	SIZE B
THIS DRAWING CONTAINS INFORMATION THAT IS PROPRIETARY TO MOLEX INCORPORATED AND SHOULD NOT BE USED WITHOUT WRITTEN PERMISSION.			