



Flyback Transformer

For Maxim MAX5941A
PoE Interface/PWM Controller



- Designed for IEEE 802.3af-compliant PoE applications
- Operates with 32 – 56 Volts input
- 1500 Vrms isolation between the primary and the secondary

Core material Ferrite

Terminations RoHS tin-silver over tin over nickel over phos bronze. Other terminations available at additional cost.

Weight 5.7 g

Ambient temperature -40°C to +125°C

Storage temperature Component: -40°C to +125°C.
Packaging: -40°C to +80°C

Resistance to soldering heat Max three 40 second reflows at +260°C, parts cooled to room temperature between cycles

Moisture Sensitivity Level (MSL) 1 (unlimited floor life at <30°C / 85% relative humidity)

Failures in Time (FIT) / Mean Time Between Failures (MTBF)
38 per billion hours / 26,315,789 hours, calculated per Telcordia SR-332

Packaging 200 per 13" reel Plastic tape: 44 mm wide, 0.37 mm thick, 28 mm pocket spacing, 9.0 mm pocket depth

PCB washing Only pure water or alcohol recommended

Part number ¹	Inductance at 0 A ² ±5% (µH)	Inductance at I _{pk} ³ min (µH)	DCR max (Ohms) ⁴			Leakage inductance ⁵ max (µH)	Turns ratio ⁶		I _{pk} ³ (A)	Output ⁷
			pri	sec	bias		pri : sec	pri : bias		
C1099-AL	133.0	126.0	0.283	0.013	0.480	3.5	1 : 0.13	1 : 0.57	0.9	3.3 V, 2.5 A

1. When ordering, please specify **packaging** code:

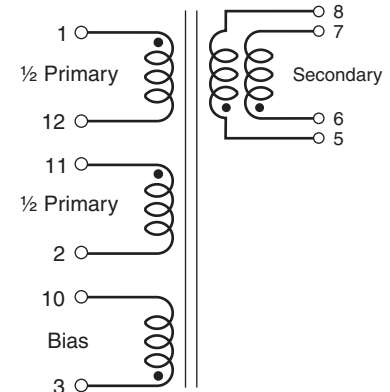
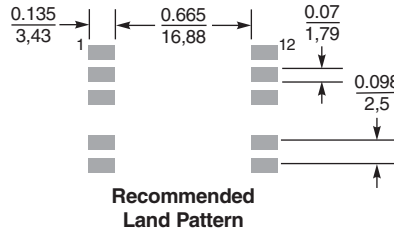
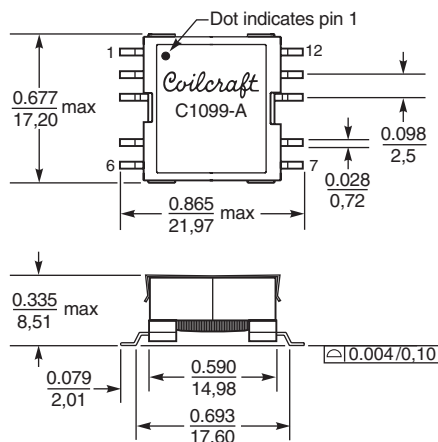
C1099-AL D

Packaging: **D** = 13" machine ready reel. EIA-481 embossed plastic tape (200 per full reel).

B = Less than full reel. In tape, but not machine ready. To have a leader and trailer added (\$25 charge), use code letter D instead.

2. Inductance is for the primary, measured at 300 kHz, 1.0 Vrms.
3. Peak primary current drawn at minimum input voltage.

4. Primary DCR is measured with the windings connected in series. Secondary DCR is measured with the windings connected in parallel.
5. Leakage inductance is for the primary winding with the secondary winding shorted.
6. Turns ratio is for the primary connected in series and the secondary connected in parallel.
7. Output of the secondary is with the windings connected in parallel. Bias winding output is 14 V.
8. Electrical specifications at 25°C.
Refer to Doc 362 "Soldering Surface Mount Components" before soldering.



Primary windings to be connected in series and secondary windings to be connected in parallel on the PC board.



Specifications subject to change without notice.
Please check our website for latest information.

Document 409 Revised 10/28/08

1102 Silver Lake Road Cary, Illinois 60013 Phone 847/639-6400 Fax 847/639-1469

E-mail info@coilcraft.com Web <http://www.coilcraft.com>