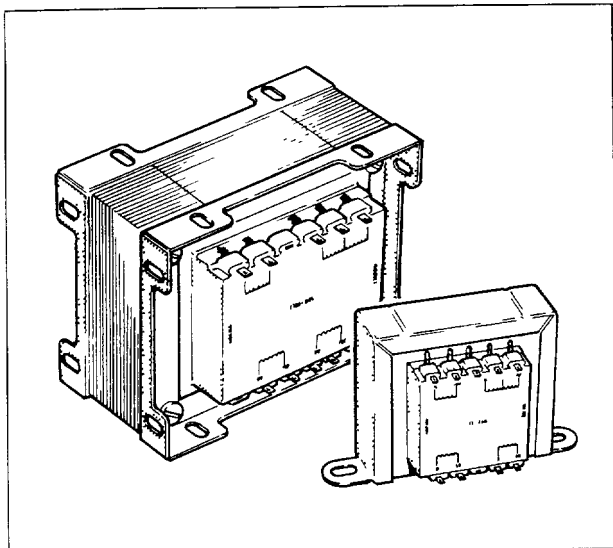


ORIG

41478/488



TRANSFORMERS

CLAMP MOUNTING TRANSFORMERS

6VA to 330VA

BS 415 Low Voltage Clamp Mounting Mains Transformers

A range of low voltage transformers in 6, 12, 20, 50, 75, 100, 200 and 330 VA power ratings with two independent primary windings which can be connected in series or parallel to give 240V, 220V or 110V operation. Two independent secondaries give a wide range of output voltages and currents (note 10V models are single secondary only).

The double bobbin construction eliminates the need for an interwinding screen and provides double insulation between the primary and secondary windings. All transformers are manufactured to BS 415 and are 4kVA flash tested. Terminal shrouds are available for each VA rating up to and including 100VA, two shrouds are required per transformer.

- ▶ 6 to 330 VA ranges, 63 models
- ▶ Twin independent primaries for 110, 220 or 240V operation
- ▶ Manufactured in accordance with BS 415
- ▶ Terminal shrouds available (6VA - 100VA models only)
- ▶ Twin secondaries 4.5V to 50V (except 10V models)

DISIDED



Order Codes

CODE

5 VA - 28% typical regulation

0 - 4.5V, 0 - 4.5V	@ 0.66A	Z2813
0 - 6V, 0 - 6V	@ 0.50A	Z2814
0 - 9V, 0 - 9V	@ 0.33A	Z2815
0 - 12V, 0 - 12V	@ 0.25A	Z2294 *
0 - 15V, 0 - 15V	@ 0.20A	Z2295
0 - 18V, 0 - 18V	@ 0.16A	Z2816
0 - 20V, 0 - 20V	@ 0.15A	Z2228
0 - 24V, 0 - 24V	@ 0.125A	Z2296

12 VA - 12% typical regulation

0 - 4.5V, 0 - 4.5V	@ 1.33A	Z2820
0 - 6V, 0 - 6V	@ 1.00A	Z2821
0 - 9V, 0 - 9V	@ 0.66A	Z2822
0 - 10V	@ 1.20A	Z2218
0 - 12V, 0 - 12V	@ 0.50A	Z2299
0 - 15V, 0 - 15V	@ 0.40A	Z2300
0 - 18V, 0 - 18V	@ 0.33A	Z2823
0 - 20V, 0 - 20V	@ 0.30A	Z2219
0 - 24V, 0 - 24V	@ 0.25A	Z2824

20 VA - 7.5% typical regulation

0 - 4.5V, 0 - 4.5V	@ 2.20A	Z2825
0 - 6V, 0 - 6V	@ 1.66A	Z2826
0 - 9V, 0 - 9V	@ 1.10A	Z2827
0 - 10V	@ 2.00A	Z2220
0 - 12V, 0 - 12V	@ 0.80A	Z2301
0 - 15V, 0 - 15V	@ 0.60A	Z2302
0 - 18V	@ 1.10A	Z2221
0 - 20V, 0 - 20V	@ 0.50A	Z2222
0 - 24V, 0 - 24V	@ 0.42A	Z2828

50 VA - 9% typical regulation

0 - 4.5V, 0 - 4.5V	@ 5.50A	Z2829
0 - 6V, 0 - 6V	@ 4.10A	Z2830
0 - 9V, 0 - 9V	@ 2.70A	Z2831
0 - 10V	@ 5.00A	Z2223
0 - 12V, 0 - 12V	@ 2.00A	Z2303
0 - 15V, 0 - 15V	@ 1.60A	Z2304
0 - 18V, 0 - 18V	@ 1.38A	Z2832
0 - 20V, 0 - 20V	@ 1.25A	Z2224
0 - 24V, 0 - 24V	@ 1.00A	Z2833

75 VA - 8% typical regulation

0 - 6V, 0 - 6V	@ 6.25A	Z3168
0 - 9V, 0 - 9V	@ 4.17A	Z3169
0 - 12V, 0 - 12V	@ 3.13A	Z3170
0 - 15V, 0 - 15V	@ 2.50A	Z3171
0 - 18V, 0 - 18V	@ 2.08A	Z3172
0 - 20V, 0 - 20V	@ 1.88A	Z3173
0 - 24V, 0 - 24V	@ 1.56A	Z3174
0 - 30V, 0 - 30V	@ 1.25A	Z3175
0 - 50V, 0 - 50V	@ 0.75A	Z3176

100 VA - 8% typical regulation

0 - 6V, 0 - 6V	@ 8.30A	Z2342
0 - 9V, 0 - 9V	@ 5.50A	Z2346
0 - 12V, 0 - 12V	@ 4.10A	Z2343
0 - 15V, 0 - 15V	@ 3.30A	Z2344
0 - 18V, 0 - 18V	@ 2.70A	Z2836
0 - 20V, 0 - 20V	@ 2.50A	Z2345
0 - 24V, 0 - 24V	@ 2.00A	Z2837
0 - 30V, 0 - 30V	@ 1.60A	Z2838
0 - 50V, 0 - 50V	@ 1.00A	Z2839

200 VA - 5% typical regulation

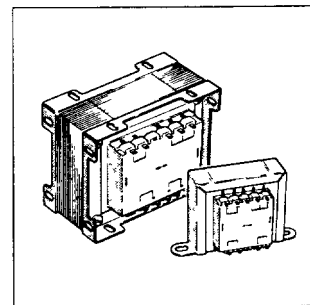
0 - 9V, 0 - 9V	@ 11.00A	Z2840
0 - 12V, 0 - 12V	@ 8.30A	Z2362
0 - 15V, 0 - 15V	@ 6.60A	Z2363
0 - 18V, 0 - 18V	@ 5.50A	Z2364 ✓
0 - 20V, 0 - 20V	@ 5.00A	Z2841
0 - 24V, 0 - 24V	@ 4.10A	Z2365
0 - 30V, 0 - 30V	@ 3.30A	Z2366
0 - 50V, 0 - 50V	@ 2.00A	Z2842

330 VA - 4% typical regulation

0 - 15V, 0 - 15V	@ 11.00A	Z3188
0 - 18V, 0 - 18V	@ 9.17A	Z3189

CLAMP MOUNTING
TRANSFORMERS

TRANSFORMERS



Farnell
WINDINGS

Transformer specifications

	6VA	12VA	20VA	50VA	75VA	100VA	200VA	330VA*
Width mm	45	59	68	79	88	89	95	136.5
Height mm	37	50	58	65	71	75	80	134.5
Depth mm	40	50	54	62	68	68	85	107
Fixing centre	53x4BA	70x4BA	84x4BA	92x4BA	101.6 x 28A	57x43.5 x2BA	68x60 x2BA	89 x 63.5 x2BA