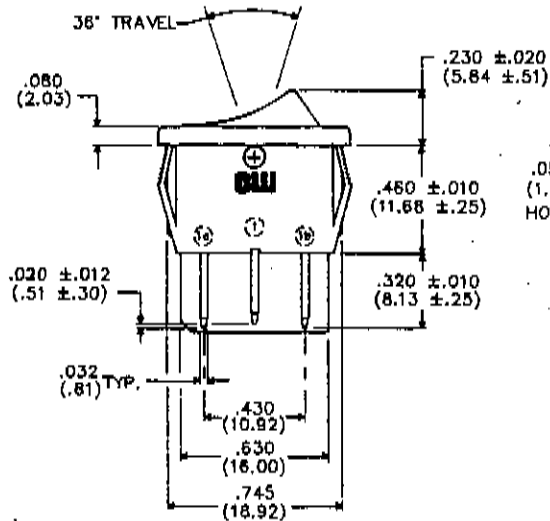
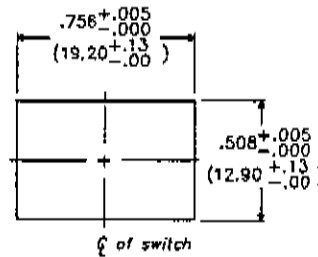
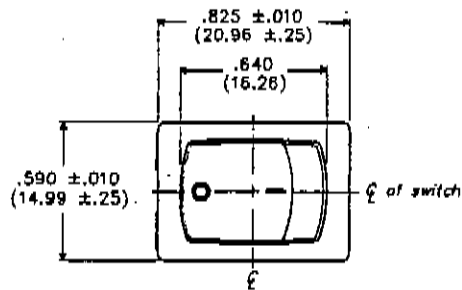


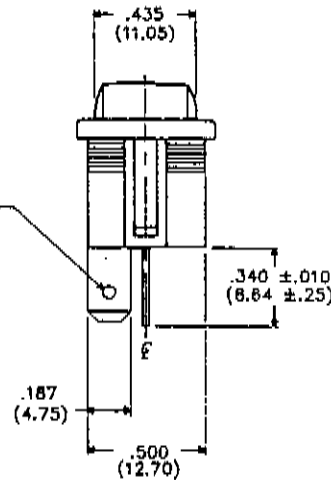
DIMENSIONS IN INCHES (MILLIMETERS)
DO NOT SCALE DRAWING

Drawing No
GRS-4012-0047

PANEL PIERCING



.055 DIA.
HOLE TYP.



B-FORM-8

REVISIONS	0
RELEASED	01-AUG 5 1994
DGW	

CW INDUSTRIES
Southampton, Pa. 18966

Title **ROCKER SWITCH
ASSEMBLY
(POP-IN)
S.P.-D.T.**

TOLERANCES UNLESS OTHERWISE SPECIFIED
2 Place decimal .010 MFRIC
3 Place decimal .005 1 Place dec .25 MM
Angles 1° 12 Place dec .13 MM

Made for: CW IND.
Drawn by: DGW 8-01-94
Checked by: G. GILL 8-3-94
Approval: RST 8-4-94

Division **SWITCH**
Drawing No **GRS-4012-0047**

CONTINENTAL RUBBER 807511

MASTER MASTER