



REVERSIBLE MOTOR DRIVER BA6208/BA6208F

● DESCRIPTION

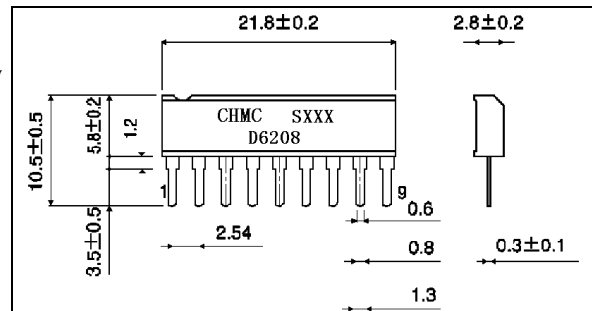
The BA6208/BA6208BF are monolithic ICs used for driving reversible motors. They allow control of reversible motors in cassette players and other electrical equipment by using TTL-level logic signals.

The ICs contain a logic section, which controls forward and reverse rotations as well as forced stop, and an output power section, which can supply an output current of up to 100mA (typical) according to the logic control.

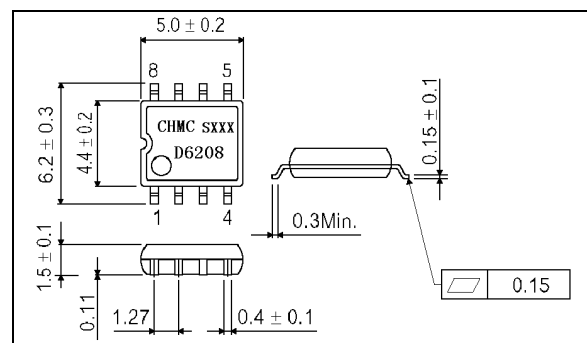
FEATURE

- Motor driving power transistors are built in (100mA typically)
- Brake is applied when stopping the motor (when in-puts A and B are both HIGH level).
- Built-in diode to absorb surge currents.
- Very low standby circuit current when inputs A and B are both LOW level.
- Wide range of operating supply voltage (4.5~15.0V).
- Direct control with the TTL logic.

Outline Drawing

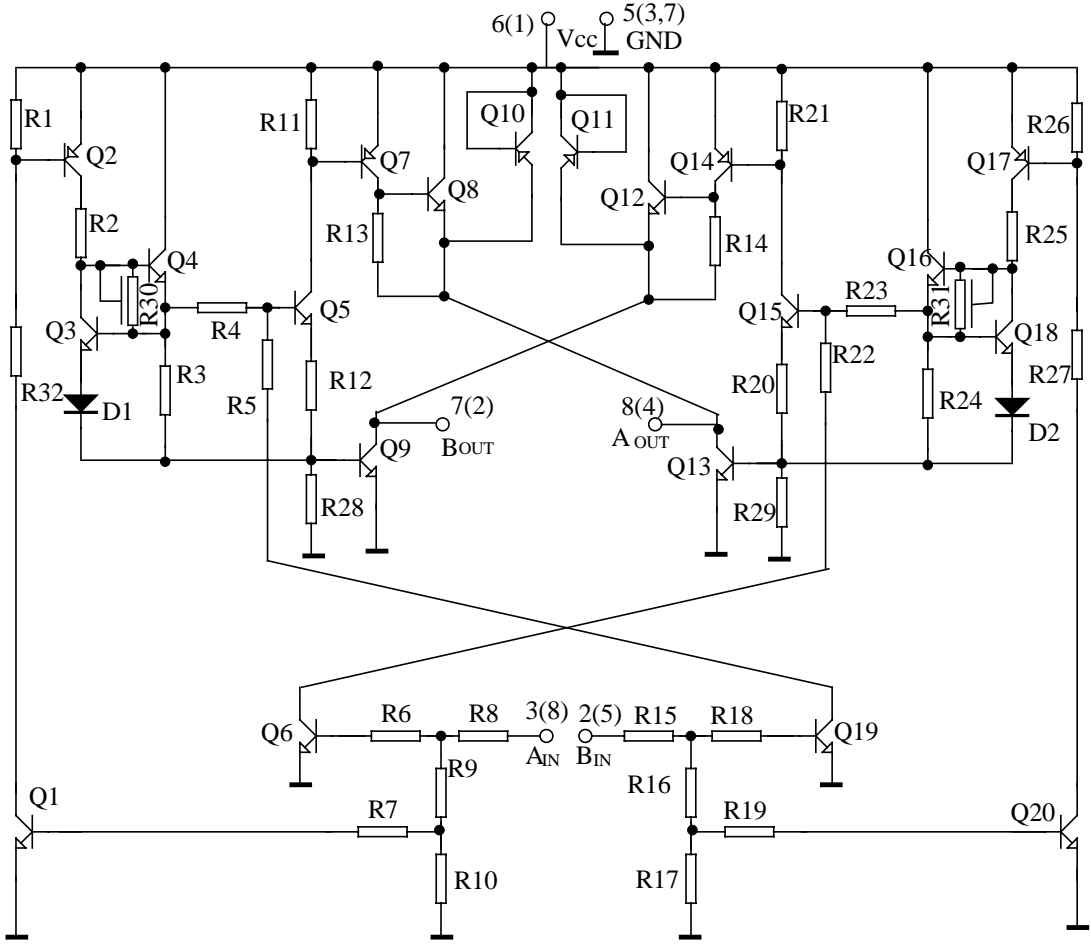


SIP9



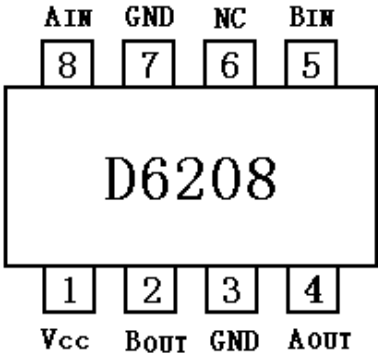
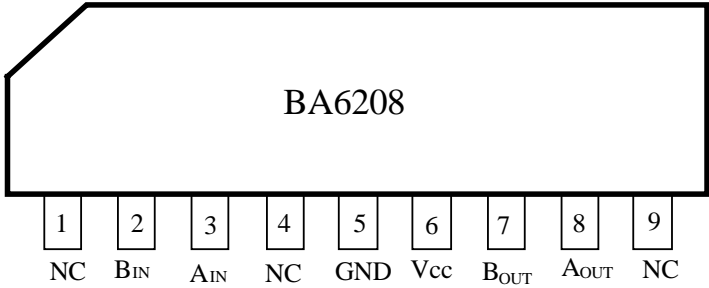
SOP8

BLOCK DIAGRAM



Note: Figures in parentheses are for the SOP8

PIN CONNECTION



ABSOLUTE MAXIMUM RATINGS (Ta=25°C)

Characteristic	Symbol	Value	Unit
Power Supply Voltage	V _{CC}	18	V
Maximum Output Current	I _O	500	mA
Power Dissipation	P _D	700	mW
Operating Temperature	T _{opr}	-20~60	°C
Storage Temperature	T _{stg}	-55~125	°C

Note: Reduced by 7 mW for each increase in Ta of 1°C over 25°C

ELECTRICAL CHARACTERISTICS

(unless otherwise specified: Ta=25°C, V_{CC}=9V)

Characteristics	Test conditions	Symbol	Min.	Typ.	Max.	Unit
Output Current		I _O	200			mA
Output saturation voltage	I _O =100mA	V _{CE}		1.0	1.6	V
Input high level voltage		V _{IH}	2.0			V
Input low level voltage		V _{IL}			0.8	V
Standby supply current	When input A and B both LOW level	I _{ST}			0.4	mA
Input high level current	V _{IH} =4.5V	I _{IH}		250	400	μA

A diode that absorbs at least 500 mA is built in to give protection against surge currents with a pulse width of 10 ms and a duty ratio of 10% or less.

RECOMMENDED OPERATING CONDITIONS (Ta=25°C)

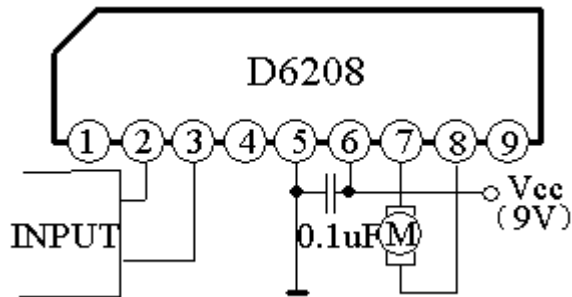
Parameter	Symbol	Min.	Typ.	Max.	Unit
Power supply voltage	V _{CC}	4.5		15	V

INPUT TRUTH TABLE

3pin (Ain)	2pin (Bin)	8pin (Aout)	7pin (Aout)
H	L	H	L
L	H	L	H
H	H	L	L
L	L	OPEN	OPEN

APPLICATION CIRCUIT

SIP9 Package



SOP8 Package

