

**Cascadable Amplifier  
10 to 500 MHz**

**RA89-1/SMRA89-1**

V2

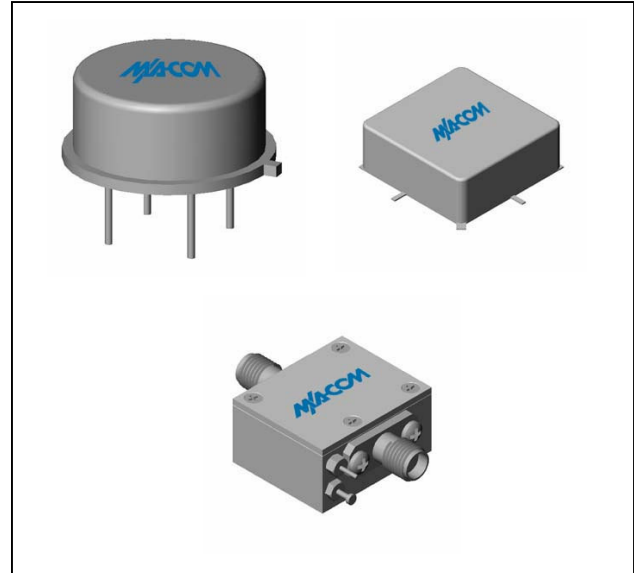
**Features**

- HIGH GAIN-TWO STAGES: 30.0 dB (TYP.)
- HIGH OUTPUT POWER: +21.5 dBm (TYP.)
- HIGH THIRD ORDER I.P.: +36 dBm (TYP.)
- LOW VSWR: <1.5:1 (TYP.)

**Description**

The RA89-1 RF amplifier is a discrete hybrid design, which uses thin film manufacturing processes for consistent performance and high reliability. This 2 stage bipolar transistor feedback amplifier design displays impressive performance over a broadband frequency range. An active DC biasing network insures temperature-stable performance. Both TO-8B and Surface Mount packages are hermetically sealed, and MIL-STD-883 environmental screening is available.

**Product Image**



**Ordering Information**

Part Number	Package
RA89-1	TO-8B
SMRA89-1	Surface Mount
CRA89-1	SMA Connectorized

**Electrical Specifications:  $Z_0 = 50\Omega$ ,  $V_{CC} = +15 V_{DC}$**

Parameter	Units	Typical	Guaranteed	
		25°C	0° to 50°C	-54° to +85°C*
Frequency	MHz	5-600	10-500	10-500
Small Signal Gain (min)	dB	30.0	29.0	28.0
Gain Flatness (max)	dB	±0.3	±0.7	±1.0
Reverse Isolation	dB	36		
Noise Figure (max)	dB	3.2	4.5	5.0
Power Output @ 1 dB comp. (min)	dBm	21.5	20.0	20.0
IP3	dBm	+36		
IP2	dBm	+50		
Second Order Harmonic IP	dBm	+57		
VSWR Input / Output (max)		1.5:1 / 1.5:1	1.8:1 / 1.8:1	2.0:1 / 2.0:1
DC Current @ 15 Volts (max)	mA	130	137	140

**Absolute Maximum Ratings**

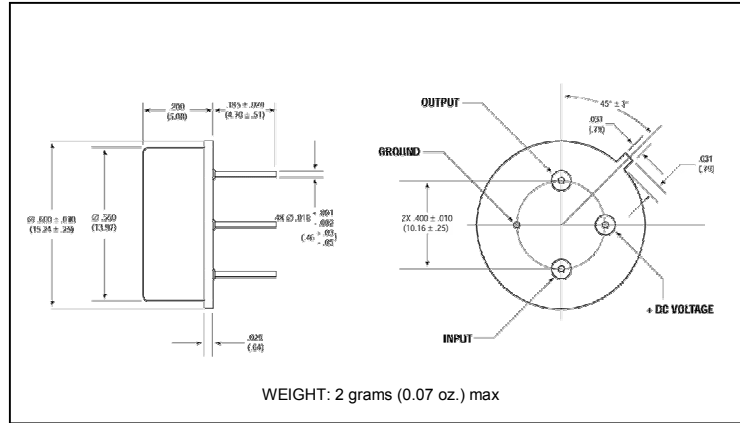
Parameter	Absolute Maximum
Storage Temperature	-62°C to +125°C
Case Temperature	125°C
DC Voltage	+17 V
Continuous Input Power	+13 dBm
Short Term Input power (1 minute max.)	50 mW
Peak Power (3 µsec max.)	0.5 W
"S" Series Burn-In Temperature (case)	125°C

**Thermal Data:  $V_{CC} = +15 V_{DC}$**

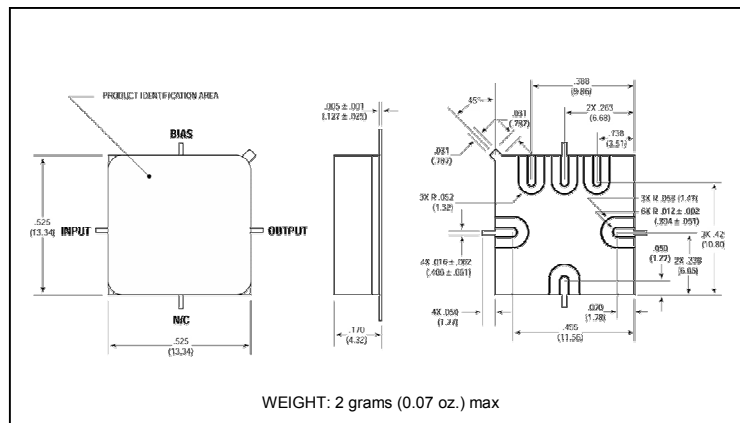
Parameter	Rating
Thermal Resistance $\theta_{jc}$	87°C/W
Transistor Power Dissipation $P_d$	0.873 W
Junction Temperature Rise Above Case $T_{jc}$	76°C

\* Over temperature performance limits for part number CRA89-1, guaranteed from 0°C to +50°C only.

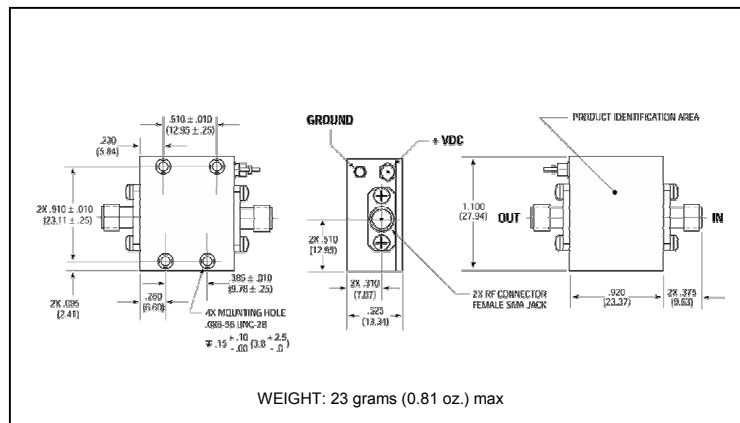
**Outline Drawing: TO-8B \***



**Outline Drawing: Surface Mount \***



**Outline Drawing: SMA Connectorized \***



\* Dimensions are inches (millimeters) ±0.015 (0.38) unless otherwise specified.